



PRODUCT SPECIFICATIONS

Bulletin No. 210742
 July 2016
 Supersedes February 2016

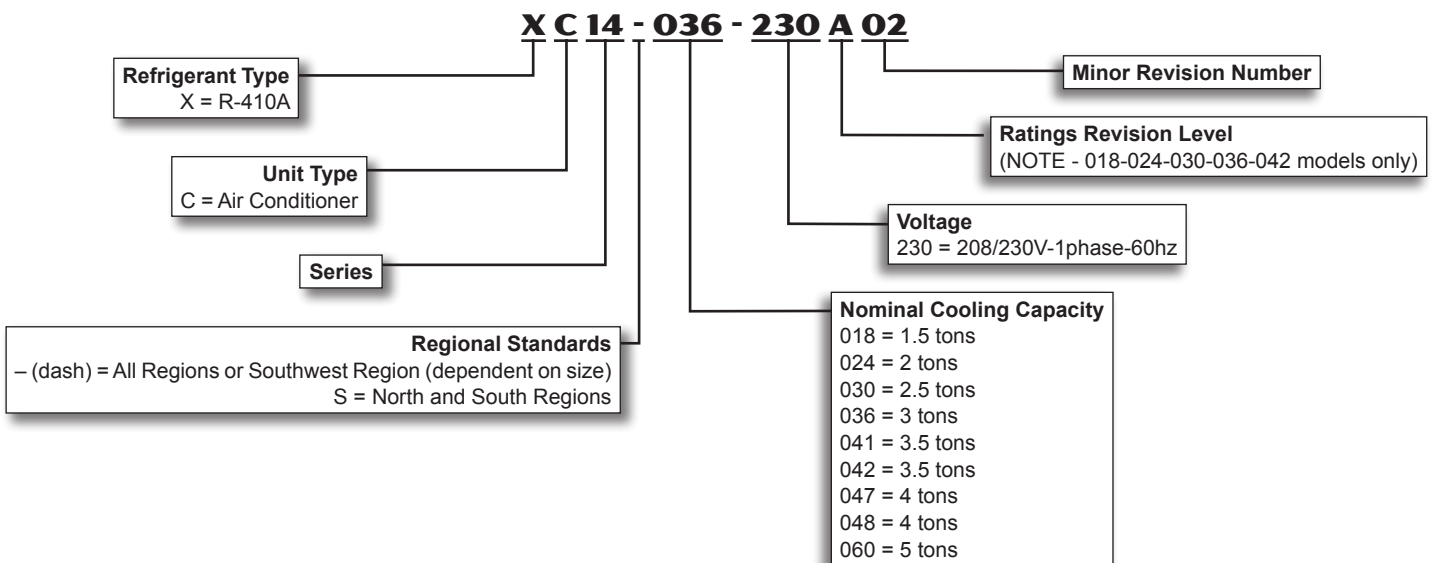
ELITE®
 SERIES



SEER up to 16.00
1.5 to 5 Tons

Cooling Capacity - 18,000 to 59,000 Btuh

MODEL NUMBER IDENTIFICATION



FEATURES

CONTENTS

AHRI System Matches - All Regions	13
AHRI System Matches - North / South Regions	112
AHRI System Matches - Southwest Region	136
Dimensions	9
Electrical Data	6
Features	2
Field Wiring	8
Installation Clearances	8
Model Number Identification	1
Optional Accessories	6
Outdoor Sound Data	8
RFC Orifice Usage	11
Specifications	6
TXV Usage	10

WARRANTY

Compressor - limited warranty for ten years in residential installations and five years in non-residential installations.

All other covered components - five years in residential installations and one year in non-residential installations.

Refer to Lennox Equipment Limited Warranty certificate included with unit for specific details.

APPROVALS

AHRI Certified to AHRI Standard 210/240-2008.

Sound rated in Lennox reverberant sound test room in accordance with test conditions included in AHRI Standard 270-2008.

Tested in the Lennox Research Laboratory environmental test room.

Rated according to U.S. Department of Energy (DOE) test procedures.

Region specific models meet the minimum efficiency requirements for U.S DOE Federal Regional Standards in that area.

Air conditioners and components within bonded for grounding to meet safety standards for servicing required by UL and CEC.

Units are ETL certified for the U.S. and Canada.

ISO 9001 Registered Manufacturing Quality System.

For expanded ratings, see www.lennoxdavenet.com.

Certain ENERGY STAR® certified units are designed to use less energy, help save money on utility bills, and help protect the environment.



APPLICATIONS

SEER up to 16.50.

1.5 through 5 ton.

Single-phase power supply.

Vertical air discharge allows concealment behind shrubs at grade level or out of sight on a roof.

Matching add-on furnace indoor coils or air handlers provide a wide range of cooling capacities and applications. See AHRI Ratings table. See Indoor Coils and Air Handlers sections for data.

Units shipped completely factory assembled, piped and wired.

Each unit test operated at the factory ensuring proper operation. Installer must set air conditioner, connect refrigerant lines and make electrical connections to complete job.

FEATURES

REFRIGERATION SYSTEM

R-410A Refrigerant

Non-chlorine, ozone friendly, R-410A.
Unit pre-charged with refrigerant.
See Specification table.



1 Outdoor Coil Fan

Direct drive fan moves large air volumes uniformly through entire condenser coil for high refrigerant cooling capacity.

Vertical air discharge minimizes operating sounds and eliminates damage to lawn and shrubs.

Fan motor has sleeve bearings and is inherently protected.

Motor totally enclosed for maximum protection from weather, dust and corrosion.

Fan guard constructed of corrosion-resistant PVC (polyvinyl chloride) coated steel.

Fan service access accomplished by removal of fan guard.

2 Copper Tube/Enhanced Fin Coil

Lennox designed and fabricated coil.

Ripple-edged aluminum fins.

Copper tube construction.

Lanced fins provide maximum exposure of fin surface to air stream resulting in excellent heat transfer.

Fin collars grip tubing for maximum contact area.

Flared shoulder tubing connections/silver soldering construction.

Coil is factory tested under high pressure to ensure leakproof construction.

Entire coil is accessible for cleaning.

3 High Capacity Liquid Line Drier

Approved for use with R-410A systems.

Traps any moisture or dirt that could contaminate the refrigerant system.

4 High Pressure Switch

Shuts off unit if abnormal operating conditions cause the discharge pressure to rise above setting.

Protects compressor from excessive condensing pressure.

Auto-reset.

Discharge Thermostat

Factory installed on the discharge line of the compressor. SPST, auto-reset

Removes power from the compressor when discharge temperature exceeds the factory setting of 220°F.

Refrigerant Flow Control

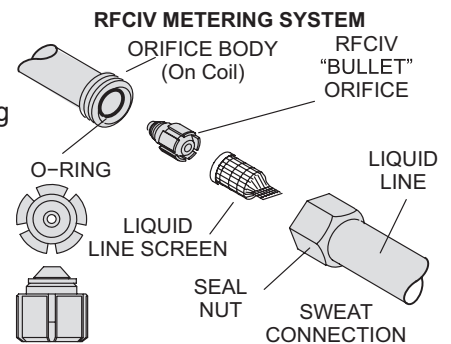
Units applicable to expansion valve systems or RFC systems when matched with specific indoor coils.

RFCIV:

Accurately meters refrigerant in system.

Refrigerant control is accomplished by exact sizing of refrigerant metering orifice.

The principle involves matching indoor coil with proper bore size of orifice in metering device.



Equalizes pressure shortly after compressor stops, unit starts unloaded, eliminating need for additional controls.

See RFC Orifice Usage Table on Page 11 for correct matches

Optional Accessories

Expansion Valve Kits

Must be ordered extra and field installed on certain indoor units. See TXV Usage Table on Page 10.

Chatleff-style fittings.

Freezestat

Installs on or near the vapor line of the indoor coil or on the suction line.

Senses suction line temperature and cycles the compressor off when suction line temperature falls below its setpoint.

Opens at 29°F and closes at 58°F.

Loss of Charge Switch Kit

Helps protect the compressor from damage due low refrigerant charge conditions.

SPST, normally-closed switch, automatic reset switch mounted on liquid line.

Refrigerant Line Kits

Refrigerant lines (suction & liquid) are shipped refrigeration clean.

Lines are cleaned, dried, pressurized and sealed at factory.

Suction line fully insulated.

Lines are stubbed at both ends.

Not available for -060 models and must be field fabricated.

FEATURES

COMPRESSOR

5 Scroll Compressor

Compressor features high efficiency with uniform suction flow, constant discharge flow, high volumetric efficiency and quiet operation.

Compressor consists of two involute spiral scrolls matched together to generate a series of crescent shaped gas pockets between them.

During compression, one scroll remains stationary while the other scroll orbits around it.

Gas is drawn into the outer pocket, the pocket is sealed as the scroll rotates.

As the spiral movement continues, gas pockets are pushed to the center of the scrolls. Volume between the pockets is simultaneously reduced.

When the pocket reaches the center, gas is now at high pressure and is forced out of a port located in the center of the fixed scrolls.

During compression, several pockets are compressed simultaneously resulting in a smooth continuous compression cycle.

Continuous flank contact, maintained by centrifugal force, minimizes gas leakage and maximizes efficiency.

Scroll compressor is tolerant to the effects of slugging and contaminants. If this occurs, scrolls separate, allowing liquid or contaminants to be worked toward the center and discharged.

Low gas pulses during compression reduces operational sound levels.

Compressor motor is internally protected from excessive current and temperature.

Compressor is installed in the unit on specially formulated, resilient rubber base for improved sound dampening and vibration-free operation resulting in quieter operating sound levels. See Outdoor Sound Data table for details.

Compressor Crankcase Heater (047 thru 060 Models)

Protects against refrigerant migration that can occur during low ambient operation.

Factory Installed.

Compressor Sound Dampening System

A polyethylene compressor cover containing a 2 inch thick batt of fiberglass insulation for better sound dampening.

All open edges are sealed with a one-inch wide hook and loop fastening tape.



Optional Accessories

Compressor Crankcase Heater (018 thru 042 models)

Protects against refrigerant migration that can occur during low ambient operation.

Compressor Hard Start Kit

Single-phase units are equipped with a PSC compressor motor. This type of motor normally doesn't need a potential relay and start capacitor.

In conditions such as low voltage, this kit may be required to increase the compressor starting torque.

Compressor Low Ambient Cut-Off Switch

Non-adjustable switch (low ambient cut-out) prevents compressor operation when outdoor temperature is below 35°F.

CONTROLS

Optional Accessories

Indoor Blower Off Delay Relay

Delays the indoor blower-off time during the cooling cycle.

See AHRI System Matches for usage.

Low Ambient Kit

Air conditioners operate satisfactorily down to 45°F outdoor air temperature without any additional controls.

Low Ambient Control Kit can be field installed, allowing unit operation down to 30°F.

Crankcase heater and freezestat should be installed on compressors equipped with a Low Ambient Kit.

A compressor lock-out thermostat should be added to terminate compressor operation below recommended operation conditions

Thermostat

Thermostat not furnished with unit. See Thermostat bulletins in Controls Section and Lennox Price Book.

Compressor Timed-Off Control

Kit prevents compressor short-cycling and allows time for suction and discharge pressure to equalize.

Permits compressor start-up in an unloaded condition.

Automatic reset with 5 minute delay between compressor shut-off and start-up.

FEATURES

CABINET

- ⑥ Heavy-gauge steel construction
 - Pre-painted cabinet finish.
 - Control box is conveniently located with all controls factory wired.
 - Corner patch plate allows access to compressor components.
 - Drainage holes are provided in base section for moisture removal.
 - High density polyethylene unit support feet raise the unit off of the mounting surface, away from damaging moisture.

PermaGuard™ Unit Base

Durable zinc-coated base section resists rust and corrosion.

- ⑦ **SmartHinge™ Louvered Coil Protection**

Steel louvered panels provides complete coil protection.

Panels are hinged to allow easy cleaning and servicing of coils.

Panels may be completely removed.

Interlocking tabs and slots assure tight fit on cabinet.



- ⑧ **Refrigerant Line**

Connections, Electrical Inlets and Service Valves

Suction and liquid lines are located on corner of unit cabinet and are made with sweat connections.

See dimension drawing.

Fully serviceable brass service valves prevent corrosion and provide access to refrigerant system. Suction valve can be fully shut off, while liquid valve may be front seated to manage refrigerant charge while servicing system.

Refrigerant line connections and field wiring inlets are located in one central area of the cabinet.

See dimension drawing.

SPECIFICATIONS						
General Data	Model No.	All Regions	XC14-018	XC14-024	XC14-030	---
		North / South Regions	---	---	---	XC14S036
	Southwest Region	---	---	---	XC14-036	
	Nominal Tonnage	1.5	2	2.5	3	
Connections (sweat)	Liquid line (o.d.) - in.		3/8	3/8	3/8	3/8
	Suction line (o.d.) - in.		3/4	3/4	3/4	7/8
Refrigerant	¹ R-410A charge furnished		4 lbs. 13 oz.	5 lbs. 6 oz.	6 lbs. 11 oz.	6 lbs. 11 oz.
Outdoor Coil	Net face area - sq. ft.		13.22	16.30	21	21
	Tube diameter - in.		5/16	5/16	5/16	5/16
	No. of rows		1	1	1	1
	Fins per inch		26	26	26	26
Outdoor Fan	Diameter - in.		18	22	22	22
	No. of blades		3	3	3	3
	Motor hp		1/10	1/6	1/6	1/6
	Cfm		2270	3160	3160	3160
	Rpm		1050	850	850	850
	Watts		165	215	215	215
	Shipping Data - lbs. 1 pkg.		163	200	215	217
ELECTRICAL DATA						
Line voltage data - 60hz			208/230V-1ph	208/230V-1ph	208/230V-1ph	208/230V-1ph
² Maximum overcurrent protection (amps)			20	25	25	30
³ Minimum circuit ampacity			12.4	15.0	17.1	18.6
Compressor	Rated load amps		9.4	11.2	12.9	14.1
	Locked rotor amps		56.6	60.8	64	77
	Power factor		0.96	0.97	0.98	0.98
Outdoor Fan Motor	Full load amps		0.7	1.0	1.0	1.0
	Locked rotor amps		1.4	2.1	2.1	2.1
OPTIONAL ACCESSORIES - ORDER SEPARATELY						
Compressor Crankcase Heater		93M04	•	•	•	•
Compressor Hard Start Kit		88M91	•	•	•	•
Compressor Low Ambient Cut-Off Switch		45F08	•	•	•	•
Compressor Timed-Off Control		47J27	•	•	•	•
Freezestat	3/8 in. tubing	93G35	•	•	•	•
	5/8 in. tubing	50A93	•	•	•	•
Indoor Blower Off Delay Relay		58M81	•	•	•	•
Loss of Charge Switch Kit		84M23	•	•	•	•
⁴ Low Ambient Kit (Fan Cycling)		34M72	•	•	•	•
Refrigerant Line Sets	L15-41-20	L15-41-40	•	•	•	
	L15-41-30	L15-41-50				
	L15-65-40	L15-65-40				•
		L15-65-50				

NOTE - Extremes of operating range are plus 10% and minus 5% of line voltage.

¹ Refrigerant charge sufficient for 15 ft. length of refrigerant lines. For longer line set requirements see the Installation Instructions for information about line set length and additional refrigerant charge required.

² HACR type breaker or fuse.

³ Refer to National or Canadian Electrical Code manual to determine wire, fuse and disconnect size requirements.

⁴ Crankcase Heater and Freezestat are recommended with Low Ambient Kit.

SPECIFICATIONS

General Data	Model No.	All Regions	XC14-041	XC14-042	XC14-047	XC14-048	XC14-060
		Nominal Tonnage	3.5	3.5	4	4	5
Connections (sweat)		Liquid line (o.d.) - in.	3/8	3/8	3/8	3/8	3/8
		Suction line (o.d.) - in.	7/8	7/8	7/8	7/8	1-1/8
Refrigerant		¹ R-410A charge furnished	10 lbs. 1 oz.	8 lbs. 10 oz.	11 lbs. 3 oz.	10 lbs. 0 oz.	12 lbs. 0 oz.
Outdoor Coil	Net face area - sq. ft.	Outer coil	21	18.67	22	21	22.00
		Inner coil	20.25	17.96	21.33	18.0	21.33
		Tube diameter - in.	5/16	5/16	5/16	5/16	5/16
		No. of rows	2	2	2	2	2
		Fins per inch	22	22	22	22	22
Outdoor Fan		Diameter - in.	22	22	26	22	26
		No. of blades	4	4	4	4	4
		Motor hp	1/4	1/4	1/3	1/4	1/3
		Cfm	3600	3500	4400	3600	4400
		Rpm	825	825	825	825	825
		Watts	310	310	310	310	310
Shipping Data - lbs. 1 pkg.			253	243	284	255	290

ELECTRICAL DATA

Line voltage data - 60hz			208/230V-1ph	208/230V-1ph	208/230V-1ph	208/230V-1ph	208/230V-1ph
² Maximum overcurrent protection (amps)			35	40	45	45	60
³ Minimum circuit ampacity			22.6	24.1	26.7	26.7	34.8
Compressor		Rated load amps	16.7	17.9	19.9	20	26.4
		Locked rotor amps	79	112	109	99	134
		Power factor	0.97	0.94	0.97	0.99	0.98
Outdoor Fan Motor		Full load amps	1.7	1.7	1.8	1.7	1.8
		Locked rotor amps	3.1	3.1	2.9	3.1	2.9

OPTIONAL ACCESSORIES - ORDER SEPARATELY

Compressor Crankcase Heater		93M04	•	•			
		Factory			•	•	•
Compressor Hard Start Kit		88M91	•	•	•	•	•
Compressor Low Ambient Cut-Off Switch		45F08	•	•	•	•	•
Compressor Timed-Off Control		47J27	•	•	•	•	•
Freezestat	3/8 in. tubing	93G35	•	•	•	•	•
	5/8 in. tubing	50A93	•	•	•	•	•
Indoor Blower Off Delay Relay		58M81	•	•	•	•	•
Loss of Charge Switch Kit		84M23	•	•	•	•	•
⁴ Low Ambient Kit (Fan Cycling)		34M72	•	•	•	•	•
Refrigerant Line Sets	L15-65-40	L15-65-40	•	•	•	•	
		L15-65-50					
		Field Fabricate					•

NOTE - Extremes of operating range are plus 10% and minus 5% of line voltage.

¹ Refrigerant charge sufficient for 15 ft. length of refrigerant lines. For longer line set requirements see the Installation Instructions for information about line set length and additional refrigerant charge required.

² HACR type breaker or fuse.

³ Refer to National or Canadian Electrical Code manual to determine wire, fuse and disconnect size requirements.

⁴ Crankcase Heater and Freezestat are recommended with Low Ambient Kit.

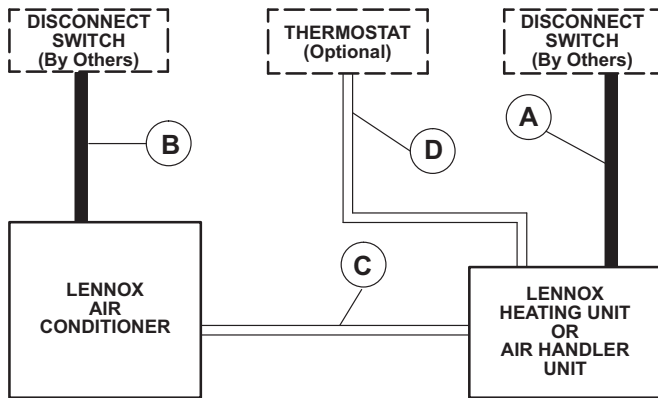
OUTDOOR SOUND DATA

¹ Unit Model No.	Octave Band Linear Sound Power Levels dB, re 10 ⁻¹² Watts Center Frequency - HZ							¹ Sound Rating Number (dB)
	125	250	500	1000	2000	4000	8000	
XC14-018	52.0	59.5	64.5	65.5	60.5	54.5	45.5	71
XC14-024	55.0	60.0	66.0	66.0	62.5	57.5	47.5	71
XC14-030	55.0	62.0	65.5	66.5	60.0	52.5	45.0	71
XC14-036 / XC14S036	53.0	61.0	64.5	65.0	59.5	53.5	48.5	70
XC14-041	56.5	62.0	68.0	68.5	63.5	56.5	49.5	73
XC14-042	58.5	64.0	68.5	68.5	63.5	56.5	50.5	73
XC14-047	59.5	62.5	67.5	66.0	63.0	57.5	51.5	73
XC14-048	56.5	62.0	68.0	68.5	63.5	56.5	49.5	73
XC14-060	59.5	62.5	67.5	66.0	63.0	57.5	51.5	73

NOTE - the octave sound power data does not include tonal correction.

¹ Tested according to AHRI Standard 270-2008 test conditions.

FIELD WIRING



A - Two Wire Power (not furnished)

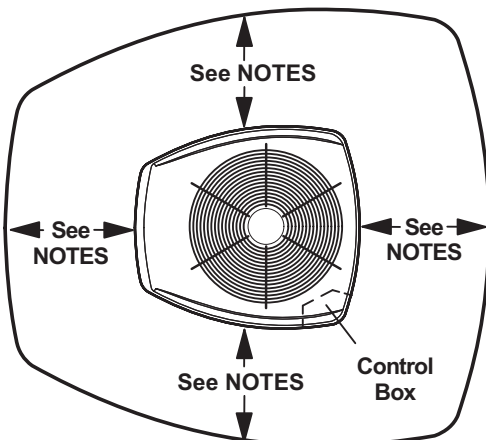
B - Two Power (not furnished). See Electrical Data

C - Four Wire Low Voltage (not furnished). 18 ga. minimum

D - Five Wire Low Voltage (not furnished). 18 ga. minimum

All wiring must conform to NEC or CEC and local electrical codes.

INSTALLATION CLEARANCES - INCHES (MM)



NOTES:

Service clearance of 30 in. (762 mm) must be maintained on one of the sides adjacent to the control box.

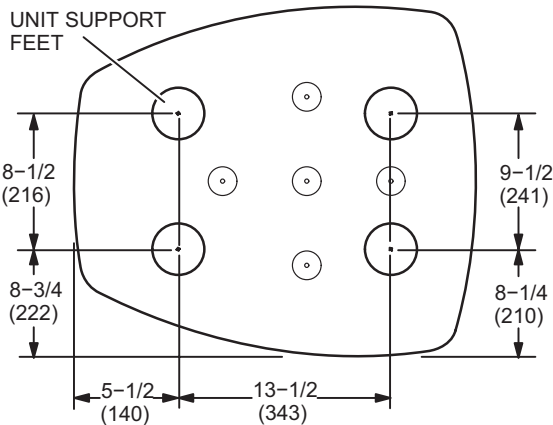
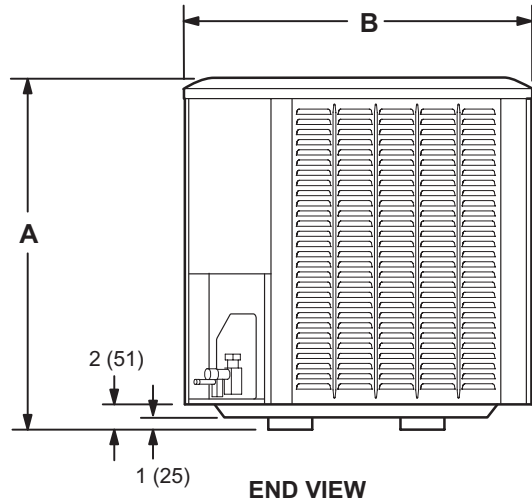
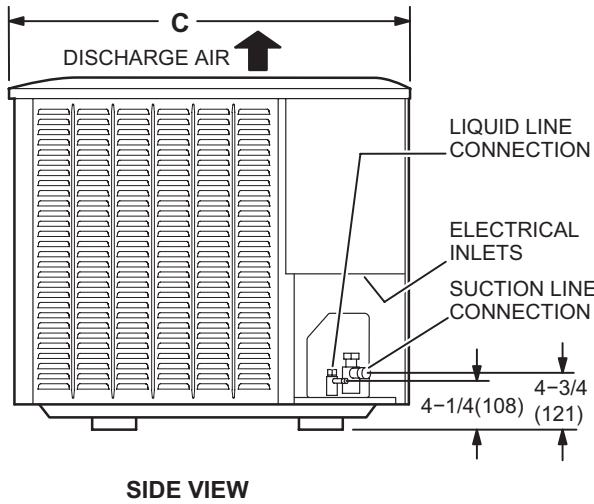
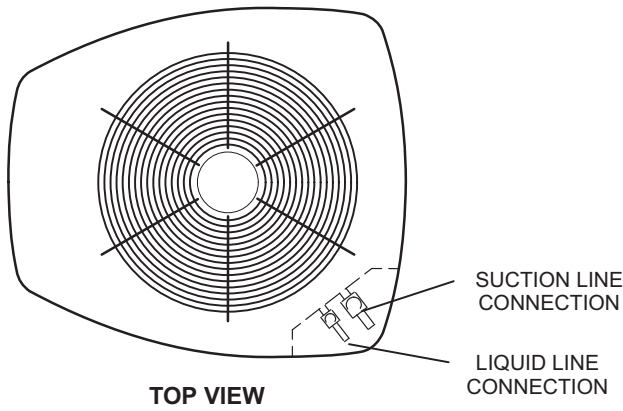
Clearance to one of the other three sides must be 36 in. (914 mm)

Clearance to one of the remaining two sides may be 12 in. (305 mm) and the final side may be 6 in. (152 mm).

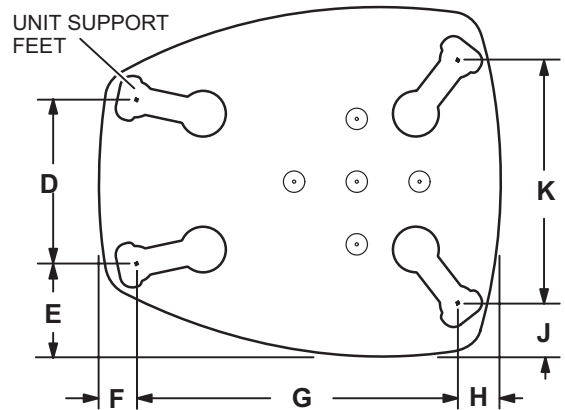
A clearance of 24 in. (610 mm) must be maintained between two units.

48 in. (1219 mm) clearance required on top of unit.

DIMENSIONS - UNIT - INCHES (MM)



**XC14-018 BASE SECTION
(Small Base)**



**XC14-024 TO -060 BASE SECTION
(Medium and Large Base)**

Model No.	A		B		C		D		E		F		G		H		J		K	
	in.	mm	in.	mm	in.	mm	in.	mm	in.	mm	in.	mm	in.	mm	in.	mm	in.	mm	in.	mm
XC14-018	31	787	27	686	28	711	---	---	---	---	---	---	---	---	---	---	---	---	---	---
XC14-024	31	787	30-1/2	775	35	889	13-7/8	352	7-3/4	197	3-1/4	83	27-1/8	689	3-5/8	92	4-1/2	114	20-5/8	524
XC14-030	39	991	30-1/2	775	35	889	13-7/8	352	7-3/4	197	3-1/4	83	27-1/8	689	3-5/8	92	4-1/2	114	20-5/8	524
XC14-036	39	991	30-1/2	775	35	889	13-7/8	352	7-3/4	197	3-1/4	83	27-1/8	689	3-5/8	92	4-1/2	114	20-5/8	524
XC14S036	39	991	30-1/2	775	35	889	13-7/8	352	7-3/4	197	3-1/4	83	27-1/8	689	3-5/8	92	4-1/2	114	20-5/8	524
XC14-041	39	991	30-1/2	775	35	889	13-7/8	352	7-3/4	197	3-1/4	83	27-1/8	689	3-5/8	92	4-1/2	114	20-5/8	524
XC14-042	35	889	30-1/2	775	35	889	13-7/8	352	7-3/4	197	3-1/4	83	27-1/8	689	3-5/8	92	4-1/2	114	20-5/8	524
XC14-047	35	889	35-1/2	902	39-1/2	1003	16-7/8	429	8-3/4	222	3-1/8	79	30-3/4	781	4-5/8	117	3-3/4	95	26-7/8	683
XC14-048	39	991	30-1/2	775	35	889	13-7/8	352	7-3/4	197	3-1/4	83	27-1/8	689	3-5/8	92	4-1/2	114	20-5/8	524
XC14-060	35	889	35-1/2	902	39-1/2	1003	16-7/8	429	8-3/4	222	3-1/8	79	30-3/4	781	4-5/8	117	3-3/4	95	26-7/8	683

TXV USAGE

Use this table for C33, C35, CH23, CH33, CH35 and CR33 Field Installed TXV Match-Ups.

Outdoor Unit Model No.	Thermal Expansion Valve (TXV)
XC14-018	12J18
XC14-024	12J18
XC14-030	12J18
XC14(-)(S)036	12J19
XC14-041	12J20
XC14-042	12J20
XC14-047	12J20
XC14-048	12J20
XC14-060	12J20

CX34 and CX35 upflow coils and all Lennox air handlers are shipped with a factory installed TXV. In most cases, no change out of the valve is needed.

If a change out is required it will be listed in the "TXV SUBSTITUTIONS" table. The correct TXV must be ordered separately and field installed.

C33, C35 and CH33 and CH35 coils - Replace the factory installed orifice with the expansion valve listed .

CR33 and CH23 coils - Use the expansion valve listed.

*TXV SUBSTITUTIONS

Use this table to determine if the factory installed TXV in the indoor unit needs to be replaced.

Outdoor Unit Model No.	Indoor Coil or Air Handler	Factory TXV	Replacement TXV
XC14-030	CX34-42	12J20	12J18
XC14-030	CX34-43	12J20	12J18
XC14-030	CX35-48	12J19	12J18
XC14-041	CX34-38	12J19	12J20
XC14-041	CX35-36	12J19	12J20
XC14-042	CX34-36	12J19	12J20
XC14-042	CX34-38	12J19	12J20
XC14-042	CX35-30/36	12J19	12J20
XC14-042	CX35-36	12J19	12J20
XC14(-)(S)036	CBX32M-030	12J18	12J19
XC14(-)(S)036	CX34-31	12J18	12J19
XC14(-)(S)036	CX35-30	12J18	12J19

*CX34, CX35 coils and all air handlers - The factory installed expansion valve must be replaced with the expansion valve listed (ordered separately). If the combination is not listed above, the factory installed TXV is used.

MOST POPULAR MATCHES

Outdoor Unit Model No.	Indoor Unit Model No
XC14-018	CX34-25
XC14-024	CX34-25
XC14-030	CX34-31
XC14(-)(S)036	CX34-38
XC14-041	CX34-49
XC14-042	CX34-49
XC14-047	CX34-62C
XC14-048	CX34-62C
XC14-060	CX34-62C

AHRI STANDARD 210/240

Cooling or heating capacities are net values, including the effects of blower motor heat, and do not include supplementary heat. Power input is the total power input to the compressor(s) and fan(s), plus any controls and other items required as part of the system for normal operation.

Units which do not have an indoor air-circulating blower furnished as part of the model, i.e., split system with indoor coil only, is established by subtracting from the total cooling capacity 1250 Btu/h per 1,000 cfm, and by adding the same amount to the heating capacity. Total power input for both heating and cooling is increased by 365 W per 1,000 cfm of indoor air circulated.

RFC ORIFICE USAGE

LEGEND:

◀ Green = Matches Orifice Furnished With Indoor Coil (no replacement necessary)

▲ Yellow = Matches Orifice Furnished With Outdoor Unit (orifice must be field replaced)

Blue = Field Provided (must be ordered extra for field replacement)

NOTE - XC14-041-047-048-060 Models are only matched with TXVs.

C33 COILS

Indoor Coil Model No.	Factory Orifice Furnished in Coil	Outdoor Unit Model No. - Orifice Furnished With Outdoor Unit					
		XC14-018	XC14-024	XC14-030	XC14-036	XC14S036	XC14-042
		ALL REGIONS	ALL REGIONS	ALL REGIONS	SOUTHWEST REGION	NORTH/SOUTH REGION	ALL REGIONS
		0.053	0.057	0.067	0.071	0.071	0.083
C33-31A-2	0.065	0.053 ▲	0.057 ▲	0.067 ▲		0.071 ▲	
C33-31B-2	0.065	0.053 ▲	0.057 ▲	0.067 ▲		0.071 ▲	
C33-38A-2	0.073		0.057 ▲	0.067 ▲		0.071 ▲	
C33-38B-2	0.073		0.057 ▲	0.067 ▲		0.071 ▲	
C33-43B-2	0.076				0.071 ▲	0.071 ▲	
C33-43C-2	0.076			0.067 ▲		0.071 ▲	
C33-48B-2	0.082					0.071 ▲	
C33-48C-2	0.082					0.071 ▲	
C33-49C-2	0.082				0.071 ▲	0.071 ▲	
C33-50/60C-2	0.082				0.071 ▲	0.071 ▲	
C33-62C-2	0.093						0.083 ▲

C35 COILS

Indoor Coil Model No.	Factory Orifice Furnished in Coil	Outdoor Unit Model No. - Orifice Furnished With Outdoor Unit					
		XC14-018	XC14-024	XC14-030	XC14-036	XC14S036	XC14-042
		ALL REGIONS	ALL REGIONS	ALL REGIONS	SOUTHWEST REGION	NORTH/SOUTH REGION	ALL REGIONS
		0.053	0.057	0.067	0.071	0.071	0.083
C35-18A/24-2F	0.053	◀ 0.053					
C35-24A-2F	0.057		◀ 0.057	0.063			
C35-30A-2F	0.067		0.057 ▲	◀ 0.067		0.071 ▲	
C35-30B-2F	0.067		0.057 ▲	◀ 0.067		0.071 ▲	
C35-36A-2F	0.070		0.057 ▲	0.065		◀ 0.070	
C35-36B-2F	0.070		0.057 ▲	0.065		◀ 0.070	
C35-48B-2F	0.071			0.063		◀ 0.071	
C35-48C-2F	0.071			0.063		◀ 0.071	
C35-49C-2F	0.076				0.070	0.070	0.077
C35-50/60C-2F	0.070				◀ 0.070	◀ 0.070	
C35-60D-2F	0.077						◀ 0.077

RFC ORIFICE USAGE

LEGEND:

◀ Green = Matches Orifice Furnished With Indoor Coil (no replacement necessary)

▲ Yellow = Matches Orifice Furnished With Outdoor Unit (orifice must be field replaced)

NOTE - XC14-041-047-048-060 Models are only matched with TXVs.

CH23, CH33, CR33 COILS

Indoor Coil Model No.	Factory Orifice Furnished in Coil	Outdoor Unit Model No. - Orifice Furnished With Outdoor Unit					
		XC14-018	XC14-024	XC14-030	XC14-036	XC14S036	XC14-042
		ALL REGIONS	ALL REGIONS	ALL REGIONS	SOUTHWEST REGION	NORTH/SOUTH REGION	ALL REGIONS
		0.053	0.057	0.067	0.071	0.071	0.083
CH33-25A	0.062		0.057 ▲				
CH33-25B	0.062		0.057 ▲				
CH33-31A	0.071	0.053 ▲	0.057 ▲	0.067 ▲			
CH33-31B	0.071	0.053 ▲	0.057 ▲	0.067 ▲	◀ 0.071	◀ 0.071	
CH33-36C	0.076		0.057 ▲				
CH33-42B	0.082		0.057 ▲	0.067 ▲			
CH33-43B	0.082		0.057 ▲	0.067 ▲	0.071 ▲	0.071 ▲	
CH33-43C	0.082						0.083 ▲
CH33-44/48B	0.082				0.071 ▲	0.071 ▲	
CH33-48	0.091				0.071 ▲	0.071 ▲	
CH33-49	0.091				0.071 ▲	0.071 ▲	0.083 ▲
CH33-50/60C	0.091				0.071 ▲	0.071 ▲	0.083 ▲
CR33-30/36A,B,C	N/A	0.053 ▲	0.057 ▲				
CR33-48B,C	N/A						
CH35-36A	N/A		0.057 ▲				
CH35-36C	N/A		0.057 ▲				

RFC ORIFICE ORDERING

Orifice Size	Order No.
0.053	97W74
0.057	97M75
0.063	97M76
0.065	10W99
0.067	11W00
0.070	98M13
0.071	10W85
0.077	11W03
0.083	11W07

AHRI SYSTEM MATCHES - ALL REGIONS - 018-024-030-041-042-047-048-060

NOTE - For the latest up-to-date system matches please visit the AHRI web site at <http://www.ahridirectory.org>

Model No.	Expansion Device	Capacity	SEER	EER	Coil or Air Handler	Furnace	AHRI Reference
XC14-018-230A	RFC	19,000	14.00	12.20	C33-31A		7296707
XC14-018-230A	RFC	19,000	14.00	12.20	C33-31B		7296711
XC14-018-230A	RFC	18,000	14.00	12.20	C35-18/24A		8471051
XC14-018-230A	RFC	18,000	14.00	12.20	C35-18/24B		8471052
XC14-018-230A	RFC	19,200	14.25	12.20	CH33-31A		7296749
XC14-018-230A	RFC	19,100	14.25	12.20	CH33-31B		7296753
XC14-018-230A	RFC	19,000	14.00	12.20	CR33-30/36A		7296790
XC14-018-230A	RFC	19,000	14.00	12.20	CR33-30/36B		7296793
XC14-018-230A	TXV	18,200	14.50	12.50	C33-18	EL180UH045E36A	7296678
XC14-018-230A	TXV	18,200	14.50	12.50	C33-18	EL180UH045XE36A	7296677
XC14-018-230A	TXV	19,500	16.00	13.00	C33-19	EL180UH045E36A	7296681
XC14-018-230A	TXV	19,500	16.00	13.00	C33-19	EL180UH045XE36A	7296680
XC14-018-230A	TXV	18,400	15.00	12.50	C33-24A	EL180UH045E36A	7296683
XC14-018-230A	TXV	18,400	15.00	12.50	C33-24A	EL180UH045XE36A	7296682
XC14-018-230A	TXV	18,500	14.50	12.20	C33-24B	EL180UH070E36B	7296685
XC14-018-230A	TXV	18,500	14.50	12.20	C33-24B	EL180UH070XE36B	7296684
XC14-018-230A	TXV	18,600	14.50	12.50	C33-24B	EL195UH030XE24B	8605551
XC14-018-230A	TXV	18,600	14.50	12.50	C33-24B	EL195UH045XE24B	8605552
XC14-018-230A	TXV	18,600	14.50	12.50	C33-24B	EL195UH045XE36B	7296686
XC14-018-230A	TXV	18,600	14.50	12.50	C33-24B	EL296UH045XE36B	7296687
XC14-018-230A	TXV	19,700	16.00	13.00	C33-25A	EL180UH045E36A	7296691
XC14-018-230A	TXV	19,700	16.00	13.00	C33-25A	EL180UH045XE36A	7296690
XC14-018-230A	TXV	19,200	14.25	12.20	C33-25A		7296689
XC14-018-230A	TXV	19,500	15.50	12.50	C33-25B	EL180UH070E36B	7296695
XC14-018-230A	TXV	19,500	15.50	12.50	C33-25B	EL180UH070XE36B	7296694
XC14-018-230A	TXV	20,000	16.00	13.00	C33-25B	EL195UH030XE24B	8605553
XC14-018-230A	TXV	20,000	16.00	13.00	C33-25B	EL195UH045XE24B	8605555
XC14-018-230A	TXV	20,000	16.00	13.00	C33-25B	EL195UH045XE36B	7296696
XC14-018-230A	TXV	20,000	16.00	13.00	C33-25B	EL296UH045XE36B	7296697
XC14-018-230A	TXV	20,200	16.00	13.00	C33-25B	EL296UH045XV36B	7296698
XC14-018-230A	TXV	20,200	16.00	13.00	C33-25B	EL296UH070XV36B	7614660
XC14-018-230A	TXV	20,200	16.00	13.00	C33-25B	SLP98UH070XV36B	7523948
XC14-018-230A	TXV	19,200	14.25	12.20	C33-25B		7296693
XC14-018-230A	TXV	19,100	15.50	12.50	C33-30A	EL180UH045E36A	7296700
XC14-018-230A	TXV	19,100	15.50	12.50	C33-30A	EL180UH045XE36A	7296701
XC14-018-230A	TXV	18,900	15.00	12.50	C33-30B	EL180UH070E36B	7296702
XC14-018-230A	TXV	18,900	15.00	12.50	C33-30B	EL180UH070XE36B	7296703
XC14-018-230A	TXV	18,900	15.10	12.50	C33-30B	EL195UH030XE24B	8605556
XC14-018-230A	TXV	18,900	15.10	12.50	C33-30B	EL195UH045XE24B	8605558
XC14-018-230A	TXV	18,900	15.10	12.50	C33-30B	EL195UH045XE36B	7296704
XC14-018-230A	TXV	18,900	15.10	12.50	C33-30B	EL296UH045XE36B	7296705
XC14-018-230A	TXV	19,500	16.00	13.00	C33-30B	EL296UH045XV36B	7296706
XC14-018-230A	TXV	19,900	16.00	13.00	C33-31A	EL180UH045E36A	7296709
XC14-018-230A	TXV	19,900	16.00	13.00	C33-31A	EL180UH045XE36A	7296710
XC14-018-230A	TXV	19,300	14.50	12.20	C33-31A		7296708
XC14-018-230A	TXV	19,700	15.50	12.50	C33-31B	EL180UH070E36B	7296713
XC14-018-230A	TXV	19,700	15.50	12.50	C33-31B	EL180UH070XE36B	7296714
XC14-018-230A	TXV	19,800	16.00	13.00	C33-31B	EL195UH030XE24B	8605559
XC14-018-230A	TXV	19,800	16.00	13.00	C33-31B	EL195UH045XE24B	8605560

NOTES:

TXV = Matched with Thermostatic Expansion Valve.

RFC = Matched with RFC metering device.

AHRI certified to AHRI Standard 210/240 (with 25 ft. of connecting refrigerant lines); 95°F outdoor air temperature, 80°F db / 67°F wb entering evaporator air. All ratings include the use of a blower time delay relay (TDR). All Lennox variable-speed furnaces and Air Handlers have time delay capabilities. Other Furnaces and Air Handlers may require an optional time delay relay (**58M81**) for field installation. See furnace or air handler specifications to determine if relay is needed.

Also see Expansion Valve Kit Usage Table.

AHRI SYSTEM MATCHES - ALL REGIONS - 018-024-030-041-042-047-048-060

NOTE - For the latest up-to-date system matches please visit the AHRI web site at <http://www.ahridirectory.org>

Model No.	Expansion Device	Capacity	SEER	EER	Coil or Air Handler	Furnace	AHRI Reference
XC14-018-230A	TXV	19,800	16.00	13.00	C33-31B	EL195UH045XE36B	7296715
XC14-018-230A	TXV	19,800	16.00	13.00	C33-31B	EL296UH045XE36B	7296716
XC14-018-230A	TXV	20,400	16.00	13.50	C33-31B	EL296UH045XV36B	7296717
XC14-018-230A	TXV	20,400	16.00	13.50	C33-31B	EL296UH070XV36B	7296718
XC14-018-230A	TXV	20,400	16.00	13.50	C33-31B	SLP98UH070XV36B	7523949
XC14-018-230A	TXV	19,300	14.50	12.20	C33-31B		7296712
XC14-018-230A	TXV	19,700	16.00	13.00	C35-24A	EL180UH045E36A	8264815
XC14-018-230A	TXV	19,700	16.00	13.00	C35-24A	EL180UH045XE36A	8264813
XC14-018-230A	TXV	19,200	14.25	12.20	C35-24A		8264811
XC14-018-230A	TXV	19,500	15.50	12.50	C35-24B	EL180UH070E36B	8264823
XC14-018-230A	TXV	19,500	15.50	12.50	C35-24B	EL180UH070XE36B	8264821
XC14-018-230A	TXV	20,000	16.00	13.00	C35-24B	EL195UH030XE24B	8605562
XC14-018-230A	TXV	20,000	16.00	13.00	C35-24B	EL195UH045XE24B	8605563
XC14-018-230A	TXV	20,000	16.00	13.00	C35-24B	EL195UH045XE36B	8264825
XC14-018-230A	TXV	20,000	16.00	13.00	C35-24B	EL296UH045XE36B	8264826
XC14-018-230A	TXV	20,200	16.00	13.00	C35-24B	EL296UH045XV36B	8264828
XC14-018-230A	TXV	20,200	16.00	13.00	C35-24B	EL296UH070XV36B	8264818
XC14-018-230A	TXV	20,200	16.00	13.00	C35-24B	SLP98UH070XV36B	8264820
XC14-018-230A	TXV	19,200	14.25	12.20	C35-24B		8264816
XC14-018-230A	TXV	19,900	16.00	13.00	C35-30A	EL180UH045E36A	8264832
XC14-018-230A	TXV	19,900	16.00	13.00	C35-30A	EL180UH045XE36A	8264833
XC14-018-230A	TXV	19,300	14.50	12.20	C35-30A		8264830
XC14-018-230A	TXV	19,700	15.50	12.50	C35-30B	EL180UH070E36B	8264842
XC14-018-230A	TXV	19,700	15.50	12.50	C35-30B	EL180UH070XE36B	8264843
XC14-018-230A	TXV	19,800	16.00	13.00	C35-30B	EL195UH030XE24B	8605564
XC14-018-230A	TXV	19,800	16.00	13.00	C35-30B	EL195UH045XE24B	8605566
XC14-018-230A	TXV	19,800	16.00	13.00	C35-30B	EL195UH045XE36B	8264845
XC14-018-230A	TXV	19,800	16.00	13.00	C35-30B	EL296UH045XE36B	8264847
XC14-018-230A	TXV	20,400	16.00	13.50	C35-30B	EL296UH045XV36B	8264838
XC14-018-230A	TXV	20,400	16.00	13.50	C35-30B	EL296UH070XV36B	8264840
XC14-018-230A	TXV	20,400	16.00	13.50	C35-30B	SLP98UH070XV36B	8264837
XC14-018-230A	TXV	19,300	14.50	12.20	C35-30B		8264835
XC14-018-230A	TXV	19,000	15.50	12.50	CBX25UHV-018		7296721
XC14-018-230A	TXV	19,200	16.00	13.00	CBX25UHV-024		7296722
XC14-018-230A	TXV	19,700	16.00	13.00	CBX27UH-018		7296723
XC14-018-230A	TXV	19,700	16.00	13.00	CBX27UH-024		7296724
XC14-018-230A	TXV	19,100	14.50	12.20	CBX32M-018/024		7296725
XC14-018-230A	TXV	19,300	14.50	12.50	CBX32M-030		7296726
XC14-018-230A	TXV	19,600	16.00	13.00	CBX32MV-018/024		7296727
XC14-018-230A	TXV	19,700	16.00	13.00	CBX32MV-024/030		7296728
XC14-018-230A	TXV	19,900	16.00	13.00	CBX40UHV-024		7296729
XC14-018-230A	TXV	19,800	16.00	13.00	CBX40UHV-030		7296730
XC14-018-230A	TXV	19,400	16.00	13.00	CH33-19	EL180UH045E36A	7296735
XC14-018-230A	TXV	19,400	16.00	13.00	CH33-19	EL180UH045XE36A	7296734
XC14-018-230A	TXV	19,300	16.00	13.00	CH33-24/30	EL180UH045E36A	7296738
XC14-018-230A	TXV	19,300	16.00	13.00	CH33-24/30	EL180UH045XE36A	7296737
XC14-018-230A	TXV	19,800	16.00	13.00	CH33-25A	EL180UH045E36A	7296742
XC14-018-230A	TXV	19,800	16.00	13.00	CH33-25A	EL180UH045XE36A	7296741
XC14-018-230A	TXV	19,200	14.50	12.20	CH33-25A		7296740

NOTES:

TXV = Matched with Thermostatic Expansion Valve.

RFC = Matched with RFC metering device.

AHRI certified to AHRI Standard 210/240 (with 25 ft. of connecting refrigerant lines); 95°F outdoor air temperature, 80°F db / 67°F wb entering evaporator air.

All ratings include the use of a blower time delay relay (TDR). All Lennox variable-speed furnaces and Air Handlers have time delay capabilities. Other Furnaces and Air Handlers may require an optional time delay relay (**58M81**) for field installation. See furnace or air handler specifications to determine if relay is needed.

Also see Expansion Valve Kit Usage Table.

AHRI SYSTEM MATCHES - ALL REGIONS - 018-024-030-041-042-047-048-060

NOTE - For the latest up-to-date system matches please visit the AHRI web site at <http://www.ahridirectory.org>

Model No.	Expansion Device	Capacity	SEER	EER	Coil or Air Handler	Furnace	AHRI Reference
XC14-018-230A	TXV	19,400	15.50	12.50	CH33-25B	EL180UH070E36B	7296745
XC14-018-230A	TXV	19,400	15.50	12.50	CH33-25B	EL180UH070XE36B	7296744
XC14-018-230A	TXV	19,900	16.00	13.00	CH33-25B	EL195UH045XE36B	7296746
XC14-018-230A	TXV	19,900	16.00	13.00	CH33-25B	EL296UH045XE36B	7296747
XC14-018-230A	TXV	20,200	16.00	13.00	CH33-25B	EL296UH045XV36B	7296748
XC14-018-230A	TXV	20,200	16.00	13.00	CH33-31A	EL180UH045E36A	7296752
XC14-018-230A	TXV	20,200	16.00	13.00	CH33-31A	EL180UH045XE36A	7296751
XC14-018-230A	TXV	19,500	14.50	12.20	CH33-31A		7296750
XC14-018-230A	TXV	19,900	16.00	13.00	CH33-31B	EL180UH070E36B	7296756
XC14-018-230A	TXV	19,900	16.00	13.00	CH33-31B	EL180UH070XE36B	7296755
XC14-018-230A	TXV	19,900	16.00	13.00	CH33-31B	EL195UH030XE24B	8605567
XC14-018-230A	TXV	19,900	16.00	13.00	CH33-31B	EL195UH045XE24B	8605569
XC14-018-230A	TXV	19,900	16.00	13.00	CH33-31B	EL195UH045XE36B	7296757
XC14-018-230A	TXV	19,900	16.00	13.00	CH33-31B	EL296UH045XE36B	7296758
XC14-018-230A	TXV	20,600	16.00	13.50	CH33-31B	EL296UH045XV36B	7296759
XC14-018-230A	TXV	19,500	14.50	12.20	CH33-31B		7296754
XC14-018-230A	TXV	19,400	16.00	13.00	CH35-18A	EL180UH045E36A	7296762
XC14-018-230A	TXV	19,400	16.00	13.00	CH35-18A	EL180UH045XE36A	7296761
XC14-018-230A	TXV	19,900	16.00	13.00	CH35-24A	EL180UH045E36A	7296765
XC14-018-230A	TXV	19,900	16.00	13.00	CH35-24A	EL180UH045XE36A	7296766
XC14-018-230A	TXV	19,300	14.50	12.20	CH35-24A		7296764
XC14-018-230A	TXV	19,500	15.50	12.50	CH35-24B	EL180UH070E36B	7296768
XC14-018-230A	TXV	19,500	15.50	12.50	CH35-24B	EL180UH070XE36B	7296769
XC14-018-230A	TXV	19,600	15.50	12.50	CH35-24B	EL195UH045XE36B	7296770
XC14-018-230A	TXV	19,600	15.50	12.50	CH35-24B	EL296UH045XE36B	7296771
XC14-018-230A	TXV	20,200	16.00	13.00	CH35-24B	EL296UH045XV36B	7296772
XC14-018-230A	TXV	20,200	16.00	13.00	CH35-30A	EL180UH045E36A	7296776
XC14-018-230A	TXV	20,200	16.00	13.00	CH35-30A	EL180UH045XE36A	7296775
XC14-018-230A	TXV	19,500	14.50	12.20	CH35-30A		7296774
XC14-018-230A	TXV	19,900	16.00	13.00	CH35-30B	EL180UH070E36B	7296779
XC14-018-230A	TXV	19,900	16.00	13.00	CH35-30B	EL180UH070XE36B	7296780
XC14-018-230A	TXV	19,900	16.00	13.00	CH35-30B	EL195UH030XE24B	8605570
XC14-018-230A	TXV	19,900	16.00	13.00	CH35-30B	EL195UH045XE24B	8605571
XC14-018-230A	TXV	19,900	16.00	13.00	CH35-30B	EL195UH045XE36B	7296781
XC14-018-230A	TXV	19,900	16.00	13.00	CH35-30B	EL296UH045XE36B	7296782
XC14-018-230A	TXV	20,600	16.00	13.50	CH35-30B	EL296UH045XV36B	7296783
XC14-018-230A	TXV	19,500	14.50	12.20	CH35-30B		7296778
XC14-018-230A	TXV	19,200	15.50	12.50	CR33-18	EL180DF045E36A	7296785
XC14-018-230A	TXV	18,600	15.10	12.50	CR33-24A	EL180DF045E36A	7296786
XC14-018-230A	TXV	18,600	14.50	12.50	CR33-24B	EL180DF070E36B	7296787
XC14-018-230A	TXV	19,800	16.00	13.00	CR33-30/36A	EL180DF045E36A	7296792
XC14-018-230A	TXV	19,400	14.50	12.20	CR33-30/36A		7296791
XC14-018-230A	TXV	19,800	15.50	12.50	CR33-30/36B	EL180DF070E36B	7296795
XC14-018-230A	TXV	19,400	14.50	12.20	CR33-30/36B		7296794
XC14-018-230A	TXV	18,400	15.00	12.50	CX34-18/24A	EL180UH045E36A	7296798
XC14-018-230A	TXV	18,400	15.00	12.50	CX34-18/24A	EL180UH045XE36A	7296799
XC14-018-230A	TXV	18,500	14.50	12.20	CX34-18/24B	EL180UH070E36B	7296800
XC14-018-230A	TXV	18,500	14.50	12.20	CX34-18/24B	EL180UH070XE36B	7296801
XC14-018-230A	TXV	18,600	14.50	12.50	CX34-18/24B	EL195UH030XE24B	8605573

NOTES:

TXV = Matched with Thermostatic Expansion Valve.

RFC = Matched with RFC metering device.

AHRI certified to AHRI Standard 210/240 (with 25 ft. of connecting refrigerant lines); 95°F outdoor air temperature, 80°F db / 67°F wb entering evaporator air. All ratings include the use of a blower time delay relay (TDR). All Lennox variable-speed furnaces and Air Handlers have time delay capabilities. Other Furnaces and Air Handlers may require an optional time delay relay (**58M81**) for field installation. See furnace or air handler specifications to determine if relay is needed.

Also see Expansion Valve Kit Usage Table.

AHRI SYSTEM MATCHES - ALL REGIONS - 018-024-030-041-042-047-048-060

NOTE - For the latest up-to-date system matches please visit the AHRI web site at <http://www.ahridirectory.org>

Model No.	Expansion Device	Capacity	SEER	EER	Coil or Air Handler	Furnace	AHRI Reference
XC14-018-230A	TXV	18,600	14.50	12.50	CX34-18/24B	EL195UH045XE24B	8605574
XC14-018-230A	TXV	18,600	14.50	12.50	CX34-18/24B	EL195UH045XE36B	7296802
XC14-018-230A	TXV	18,600	14.50	12.50	CX34-18/24B	EL296UH045XE36B	7296803
XC14-018-230A	TXV	19,500	16.00	13.00	CX34-19	EL180UH045E36A	7296806
XC14-018-230A	TXV	19,500	16.00	13.00	CX34-19	EL180UH045XE36A	7296805
XC14-018-230A	TXV	19,700	16.00	13.00	CX34-25A	EL180UH045E36A	7296809
XC14-018-230A	TXV	19,700	16.00	13.00	CX34-25A	EL180UH045XE36A	7296808
XC14-018-230A	TXV	19,200	14.25	12.20	CX34-25A		7296807
XC14-018-230A	TXV	19,500	15.50	12.50	CX34-25B	EL180UH070E36B	7296812
XC14-018-230A	TXV	19,500	15.50	12.50	CX34-25B	EL180UH070XE36B	7296811
XC14-018-230A	TXV	20,000	16.00	13.00	CX34-25B	EL195UH030XE24B	8605575
XC14-018-230A	TXV	20,000	16.00	13.00	CX34-25B	EL195UH045XE24B	8605577
XC14-018-230A	TXV	20,000	16.00	13.00	CX34-25B	EL195UH045XE36B	7296813
XC14-018-230A	TXV	20,000	16.00	13.00	CX34-25B	EL296UH045XE36B	7296814
XC14-018-230A	TXV	20,200	16.00	13.00	CX34-25B	EL296UH045XV36B	7296815
XC14-018-230A	TXV	20,200	16.00	13.00	CX34-25B	EL296UH070XV36B	7296816
XC14-018-230A	TXV	20,200	16.00	13.00	CX34-25B	SLP98UH070XV36B	7523950
XC14-018-230A	TXV	19,200	14.25	12.20	CX34-25B		7296810
XC14-018-230A	TXV	19,100	15.50	12.50	CX34-30A	EL180UH045E36A	7296817
XC14-018-230A	TXV	19,100	15.50	12.50	CX34-30A	EL180UH045XE36A	7296818
XC14-018-230A	TXV	18,900	15.00	12.50	CX34-30B	EL180UH070E36B	7296819
XC14-018-230A	TXV	18,900	15.00	12.50	CX34-30B	EL180UH070XE36B	7296820
XC14-018-230A	TXV	18,900	15.10	12.50	CX34-30B	EL195UH030XE24B	8605578
XC14-018-230A	TXV	18,900	15.10	12.50	CX34-30B	EL195UH045XE24B	8605579
XC14-018-230A	TXV	18,900	15.10	12.50	CX34-30B	EL195UH045XE36B	7296821
XC14-018-230A	TXV	18,900	15.10	12.50	CX34-30B	EL296UH045XE36B	7296822
XC14-018-230A	TXV	19,500	16.00	13.00	CX34-30B	EL296UH045XV36B	7296823
XC14-018-230A	TXV	19,900	16.00	13.00	CX34-31A	EL180UH045E36A	7296825
XC14-018-230A	TXV	19,900	16.00	13.00	CX34-31A	EL180UH045XE36A	7296826
XC14-018-230A	TXV	19,300	14.50	12.20	CX34-31A		7296824
XC14-018-230A	TXV	19,700	15.50	12.50	CX34-31B	EL180UH070E36B	7296828
XC14-018-230A	TXV	19,700	15.50	12.50	CX34-31B	EL180UH070XE36B	7296829
XC14-018-230A	TXV	19,800	16.00	13.00	CX34-31B	EL195UH030XE24B	8605581
XC14-018-230A	TXV	19,800	16.00	13.00	CX34-31B	EL195UH045XE24B	8605582
XC14-018-230A	TXV	19,800	16.00	13.00	CX34-31B	EL195UH045XE36B	7296830
XC14-018-230A	TXV	19,800	16.00	13.00	CX34-31B	EL296UH045XE36B	7296831
XC14-018-230A	TXV	20,400	16.00	13.50	CX34-31B	EL296UH045XV36B	7296832
XC14-018-230A	TXV	20,400	16.00	13.50	CX34-31B	EL296UH070XV36B	7296833
XC14-018-230A	TXV	20,400	16.00	13.50	CX34-31B	SLP98UH070XV36B	7523951
XC14-018-230A	TXV	19,300	14.50	12.20	CX34-31B		7296827
XC14-018-230A	TXV	18,400	15.00	12.50	CX35-18/24A	EL180UH045E36A	8264848
XC14-018-230A	TXV	18,400	15.00	12.50	CX35-18/24A	EL180UH045XE36A	8264850
XC14-018-230A	TXV	18,500	14.50	12.20	CX35-18/24B	EL180UH070E36B	8264856
XC14-018-230A	TXV	18,500	14.50	12.20	CX35-18/24B	EL180UH070XE36B	8264852
XC14-018-230A	TXV	18,600	14.50	12.50	CX35-18/24B	EL195UH045XE36B	8264853
XC14-018-230A	TXV	18,600	14.50	12.50	CX35-18/24B	EL296UH045XE36B	8264855
XC14-018-230A	TXV	19,700	16.00	13.00	CX35-24A	EL180UH045E36A	8264860
XC14-018-230A	TXV	19,700	16.00	13.00	CX35-24A	EL180UH045XE36A	8264862
XC14-018-230A	TXV	19,200	14.25	12.20	CX35-24A		8264858

NOTES:

TXV = Matched with Thermostatic Expansion Valve.

RFC = Matched with RFC metering device.

AHRI certified to AHRI Standard 210/240 (with 25 ft. of connecting refrigerant lines); 95°F outdoor air temperature, 80°F db / 67°F wb entering evaporator air.

All ratings include the use of a blower time delay relay (TDR). All Lennox variable-speed furnaces and Air Handlers have time delay capabilities. Other Furnaces and Air Handlers may require an optional time delay relay (**58M81**) for field installation. See furnace or air handler specifications to determine if relay is needed.

Also see Expansion Valve Kit Usage Table.

AHRI SYSTEM MATCHES - ALL REGIONS - 018-024-030-041-042-047-048-060

NOTE - For the latest up-to-date system matches please visit the AHRI web site at <http://www.ahridirectory.org>

Model No.	Expansion Device	Capacity	SEER	EER	Coil or Air Handler	Furnace	AHRI Reference
XC14-018-230A	TXV	19,500	15.50	12.50	CX35-24B	EL180UH070E36B	8264870
XC14-018-230A	TXV	19,500	15.50	12.50	CX35-24B	EL180UH070XE36B	8264868
XC14-018-230A	TXV	20,000	16.00	13.00	CX35-24B	EL195UH030XE24B	8605584
XC14-018-230A	TXV	20,000	16.00	13.00	CX35-24B	EL195UH045XE24B	8605585
XC14-018-230A	TXV	20,000	16.00	13.00	CX35-24B	EL195UH045XE36B	8264871
XC14-018-230A	TXV	20,000	16.00	13.00	CX35-24B	EL296UH045XE36B	8264873
XC14-018-230A	TXV	20,200	16.00	13.00	CX35-24B	EL296UH045XV36B	8264875
XC14-018-230A	TXV	20,200	16.00	13.00	CX35-24B	EL296UH070XV36B	8264866
XC14-018-230A	TXV	20,200	16.00	13.00	CX35-24B	SLP98UH070XV36B	8264865
XC14-018-230A	TXV	19,200	14.25	12.20	CX35-24B		8264863
XC14-018-230A	TXV	19,900	16.00	13.00	CX35-30A	EL180UH045E36A	8264878
XC14-018-230A	TXV	19,900	16.00	13.00	CX35-30A	EL180UH045XE36A	8264880
XC14-018-230A	TXV	19,300	14.50	12.20	CX35-30A		8264876
XC14-018-230A	TXV	19,700	15.50	12.50	CX35-30B	EL180UH070E36B	8264891
XC14-018-230A	TXV	19,700	15.50	12.50	CX35-30B	EL180UH070XE36B	8264893
XC14-018-230A	TXV	19,800	16.00	13.00	CX35-30B	EL195UH030XE24B	8605586
XC14-018-230A	TXV	19,800	16.00	13.00	CX35-30B	EL195UH045XE24B	8605588
XC14-018-230A	TXV	19,800	16.00	13.00	CX35-30B	EL195UH045XE36B	8264885
XC14-018-230A	TXV	19,800	16.00	13.00	CX35-30B	EL296UH045XE36B	8264886
XC14-018-230A	TXV	20,400	16.00	13.50	CX35-30B	EL296UH045XV36B	8264888
XC14-018-230A	TXV	20,400	16.00	13.50	CX35-30B	EL296UH070XV36B	8264890
XC14-018-230A	TXV	20,400	16.00	13.50	CX35-30B	SLP98UH070XV36B	8264883
XC14-018-230A	TXV	19,300	14.50	12.20	CX35-30B		8264881
XC14-024-230A	RFC	24,000	14.50	12.20	C33-31A		7175002
XC14-024-230A	RFC	24,000	14.50	12.20	C33-31B		7175008
XC14-024-230A	RFC	24,000	14.50	12.50	C33-38A		7175046
XC14-024-230A	RFC	24,000	14.50	12.50	C33-38B		7175052
XC14-024-230A	RFC	23,400	14.00	12.20	C35-24A		8471053
XC14-024-230A	RFC	23,600	14.00	12.20	C35-30A		8471054
XC14-024-230A	RFC	23,600	14.00	12.20	C35-30B		8471056
XC14-024-230A	RFC	24,000	14.00	12.20	C35-36A		8471058
XC14-024-230A	RFC	24,000	14.00	12.20	C35-36B		8471060
XC14-024-230A	RFC	24,000	14.25	12.20	CH33-25A		7175117
XC14-024-230A	RFC	23,800	14.00	12.20	CH33-25B		7175123
XC14-024-230A	RFC	24,000	14.50	12.20	CH33-31A		7175497
XC14-024-230A	RFC	24,000	14.50	12.20	CH33-31B		7175140
XC14-024-230A	RFC	23,800	14.25	12.20	CH33-36C		7175170
XC14-024-230A	RFC	24,000	14.50	12.20	CH33-42B		7175394
XC14-024-230A	RFC	24,000	14.50	12.20	CH33-43B		7175395
XC14-024-230A	RFC	23,800	14.25	12.20	CH35-36A		7175406
XC14-024-230A	RFC	24,000	14.50	12.20	CH35-36C		7175227
XC14-024-230A	RFC	24,000	14.25	12.20	CR33-30/36A		7175396
XC14-024-230A	RFC	24,000	14.25	12.20	CR33-30/36B		7175397
XC14-024-230A	RFC	24,000	14.25	12.20	CR33-30/36C		7175398
XC14-024-230A	TXV	22,200	14.50	12.20	C33-18	EL180UH045E36A	7174935
XC14-024-230A	TXV	22,200	14.50	12.20	C33-18	EL180UH045XE36A	7174936
XC14-024-230A	TXV	23,800	16.00	13.00	C33-19	EL180UH045E36A	7174941
XC14-024-230A	TXV	23,800	16.00	13.00	C33-19	EL180UH045XE36A	7174942
XC14-024-230A	TXV	24,000	16.00	13.00	C33-19	SL280UH070V36A	7174939

NOTES:

TXV = Matched with Thermostatic Expansion Valve.

RFC = Matched with RFC metering device.

AHRI certified to AHRI Standard 210/240 (with 25 ft. of connecting refrigerant lines); 95°F outdoor air temperature, 80°F db / 67°F wb entering evaporator air.

All ratings include the use of a blower time delay relay (TDR). All Lennox variable-speed furnaces and Air Handlers have time delay capabilities. Other Furnaces and Air Handlers may require an optional time delay relay (**58M81**) for field installation. See furnace or air handler specifications to determine if relay is needed.

Also see Expansion Valve Kit Usage Table.

AHRI SYSTEM MATCHES - ALL REGIONS - 018-024-030-041-042-047-048-060

NOTE - For the latest up-to-date system matches please visit the AHRI web site at <http://www.ahridirectory.org>

Model No.	Expansion Device	Capacity	SEER	EER	Coil or Air Handler	Furnace	AHRI Reference
XC14-024-230A	TXV	24,000	16.00	13.00	C33-19	SL280UH070XV36A	7174940
XC14-024-230A	TXV	22,800	15.00	12.50	C33-24A	EL180UH045E36A	7174945
XC14-024-230A	TXV	22,800	15.00	12.50	C33-24A	EL180UH045XE36A	7174946
XC14-024-230A	TXV	23,200	15.10	12.50	C33-24A	SL280UH070V36A	7174943
XC14-024-230A	TXV	23,200	15.10	12.50	C33-24A	SL280UH070XV36A	7174944
XC14-024-230A	TXV	22,800	15.10	12.50	C33-24B	EL180UH070E36B	7174952
XC14-024-230A	TXV	22,800	15.10	12.50	C33-24B	EL180UH070XE36B	7174953
XC14-024-230A	TXV	22,800	15.10	12.50	C33-24B	EL195UH030XE24B	8605674
XC14-024-230A	TXV	22,800	15.10	12.50	C33-24B	EL195UH045XE24B	8605676
XC14-024-230A	TXV	22,800	15.10	12.50	C33-24B	EL195UH045XE36B	7174954
XC14-024-230A	TXV	23,200	15.50	12.50	C33-24B	EL195UH070XE36B	7174955
XC14-024-230A	TXV	22,800	15.10	12.50	C33-24B	EL296UH045XE36B	7174956
XC14-024-230A	TXV	23,000	15.10	12.50	C33-24B	EL296UH045XV36B	7174950
XC14-024-230A	TXV	23,200	15.50	12.50	C33-24B	EL296UH070XE36B	7174957
XC14-024-230A	TXV	23,000	15.50	12.50	C33-24B	EL296UH070XV36B	7174951
XC14-024-230A	TXV	23,200	15.10	12.50	C33-24B	SL280UH090V36B	7174947
XC14-024-230A	TXV	23,200	15.10	12.50	C33-24B	SL280UH090V48B	7174948
XC14-024-230A	TXV	23,200	15.10	12.50	C33-24B	SL280UH090XV48B	7174949
XC14-024-230A	TXV	23,000	15.50	12.50	C33-24B	SLP98UH070XV36B	7174958
XC14-024-230A	TXV	23,000	15.50	12.50	C33-24C	EL296UH090XV36C	7174959
XC14-024-230A	TXV	23,000	15.50	12.50	C33-24C	SLP98UH090XV36C	7174960
XC14-024-230A	TXV	24,000	16.00	13.00	C33-25A	EL180UH045E36A	7174965
XC14-024-230A	TXV	24,000	16.00	13.00	C33-25A	EL180UH045XE36A	7174966
XC14-024-230A	TXV	24,000	16.00	13.00	C33-25A	SL280UH070V36A	7174963
XC14-024-230A	TXV	24,000	16.00	13.00	C33-25A	SL280UH070XV36A	7174964
XC14-024-230A	TXV	24,000	14.25	12.20	C33-25A		7174962
XC14-024-230A	TXV	24,000	16.00	13.00	C33-25B	EL180UH070E36B	7174975
XC14-024-230A	TXV	24,000	16.00	13.00	C33-25B	EL180UH070XE36B	7174976
XC14-024-230A	TXV	24,000	16.00	13.00	C33-25B	EL195UH030XE24B	8605677
XC14-024-230A	TXV	24,000	16.00	13.00	C33-25B	EL195UH045XE24B	8605678
XC14-024-230A	TXV	24,000	16.00	13.00	C33-25B	EL195UH045XE36B	7174977
XC14-024-230A	TXV	24,000	16.00	13.00	C33-25B	EL195UH070XE36B	7174978
XC14-024-230A	TXV	24,000	16.00	13.00	C33-25B	EL296UH045XE36B	7174979
XC14-024-230A	TXV	24,000	16.00	13.00	C33-25B	EL296UH045XV36B	7174972
XC14-024-230A	TXV	24,000	16.00	13.00	C33-25B	EL296UH070XE36B	7174980
XC14-024-230A	TXV	24,000	16.00	13.00	C33-25B	EL296UH070XV36B	7174973
XC14-024-230A	TXV	24,000	16.00	13.00	C33-25B	SL280UH090V36B	7174969
XC14-024-230A	TXV	24,000	16.00	13.00	C33-25B	SL280UH090V48B	7174970
XC14-024-230A	TXV	24,000	16.00	13.00	C33-25B	SL280UH090XV48B	7174971
XC14-024-230A	TXV	24,000	16.00	13.00	C33-25B	SLP98UH070XV36B	7174974
XC14-024-230A	TXV	24,000	14.25	12.20	C33-25B		7174968
XC14-024-230A	TXV	23,600	15.50	12.50	C33-30A	EL180UH045E36A	7174986
XC14-024-230A	TXV	23,600	15.50	12.50	C33-30A	EL180UH045XE36A	7174987
XC14-024-230A	TXV	23,600	15.10	12.50	C33-30A	SL280UH070V36A	7174984
XC14-024-230A	TXV	23,600	15.10	12.50	C33-30A	SL280UH070XV36A	7174985
XC14-024-230A	TXV	23,400	15.50	12.50	C33-30B	EL180UH070E36B	7174991
XC14-024-230A	TXV	23,400	15.50	12.50	C33-30B	EL180UH070XE36B	7174992
XC14-024-230A	TXV	23,000	15.10	12.50	C33-30B	EL195UH030XE24B	8605680
XC14-024-230A	TXV	23,000	15.10	12.50	C33-30B	EL195UH045XE24B	8605681

NOTES:

TXV = Matched with Thermostatic Expansion Valve.

RFC = Matched with RFC metering device.

AHRI certified to AHRI Standard 210/240 (with 25 ft. of connecting refrigerant lines); 95°F outdoor air temperature, 80°F db / 67°F wb entering evaporator air.

All ratings include the use of a blower time delay relay (TDR). All Lennox variable-speed furnaces and Air Handlers have time delay capabilities. Other Furnaces and Air Handlers may require an optional time delay relay (**58M81**) for field installation. See furnace or air handler specifications to determine if relay is needed.

Also see Expansion Valve Kit Usage Table.

AHRI SYSTEM MATCHES - ALL REGIONS - 018-024-030-041-042-047-048-060

NOTE - For the latest up-to-date system matches please visit the AHRI web site at <http://www.ahridirectory.org>

Model No.	Expansion Device	Capacity	SEER	EER	Coil or Air Handler	Furnace	AHRI Reference
XC14-024-230A	TXV	23,000	15.10	12.50	C33-30B	EL195UH045XE36B	7174993
XC14-024-230A	TXV	23,400	15.50	12.50	C33-30B	EL195UH070XE36B	7174994
XC14-024-230A	TXV	23,000	15.10	12.50	C33-30B	EL296UH045XE36B	7174995
XC14-024-230A	TXV	23,600	15.50	12.50	C33-30B	EL296UH045XV36B	7174997
XC14-024-230A	TXV	23,400	15.50	12.50	C33-30B	EL296UH070XE36B	7174996
XC14-024-230A	TXV	23,600	15.50	12.50	C33-30B	EL296UH070XV36B	7174998
XC14-024-230A	TXV	23,600	15.10	13.00	C33-30B	SL280UH090V36B	7174988
XC14-024-230A	TXV	23,600	15.10	12.50	C33-30B	SL280UH090V48B	7174989
XC14-024-230A	TXV	23,600	15.10	12.50	C33-30B	SL280UH090XV48B	7174990
XC14-024-230A	TXV	23,600	15.50	12.50	C33-30B	SLP98UH070XV36B	7174999
XC14-024-230A	TXV	23,600	16.00	13.00	C33-30C	EL296UH090XV36C	7175000
XC14-024-230A	TXV	23,600	16.00	13.00	C33-30C	SLP98UH090XV36C	7175001
XC14-024-230A	TXV	24,000	16.00	13.00	C33-31A	EL180UH045E36A	7175006
XC14-024-230A	TXV	24,000	16.00	13.00	C33-31A	EL180UH045XE36A	7175007
XC14-024-230A	TXV	24,000	16.00	13.00	C33-31A	SL280UH070V36A	7175004
XC14-024-230A	TXV	24,000	16.00	13.00	C33-31A	SL280UH070XV36A	7175005
XC14-024-230A	TXV	24,000	14.50	12.20	C33-31A		7175003
XC14-024-230A	TXV	24,000	16.00	13.00	C33-31B	EL180UH070E36B	7175013
XC14-024-230A	TXV	24,000	16.00	13.00	C33-31B	EL180UH070XE36B	7175014
XC14-024-230A	TXV	24,000	16.00	13.00	C33-31B	EL195UH030XE24B	8605682
XC14-024-230A	TXV	24,000	16.00	13.00	C33-31B	EL195UH045XE24B	8605684
XC14-024-230A	TXV	24,000	16.00	13.00	C33-31B	EL195UH045XE36B	7175015
XC14-024-230A	TXV	24,000	16.00	13.00	C33-31B	EL195UH070XE36B	7175016
XC14-024-230A	TXV	24,000	16.00	13.00	C33-31B	EL296UH045XE36B	7175017
XC14-024-230A	TXV	24,000	16.00	13.00	C33-31B	EL296UH045XV36B	7175019
XC14-024-230A	TXV	24,000	16.00	13.00	C33-31B	EL296UH070XE36B	7175018
XC14-024-230A	TXV	24,000	16.00	13.00	C33-31B	EL296UH070XV36B	7175020
XC14-024-230A	TXV	24,000	16.00	13.00	C33-31B	SL280UH090V36B	7175010
XC14-024-230A	TXV	24,000	16.00	13.00	C33-31B	SL280UH090V48B	7175011
XC14-024-230A	TXV	24,000	16.00	13.00	C33-31B	SL280UH090XV48B	7175012
XC14-024-230A	TXV	24,000	16.00	13.00	C33-31B	SLP98UH070XV36B	7175021
XC14-024-230A	TXV	24,000	14.50	12.20	C33-31B		7175009
XC14-024-230A	TXV	24,000	16.00	13.00	C33-36A	EL180UH045E36A	7175028
XC14-024-230A	TXV	24,000	16.00	13.00	C33-36A	EL180UH045XE36A	7175029
XC14-024-230A	TXV	24,000	16.00	13.00	C33-36A	SL280UH070V36A	7175026
XC14-024-230A	TXV	24,000	16.00	13.00	C33-36A	SL280UH070XV36A	7175027
XC14-024-230A	TXV	24,000	16.00	13.00	C33-36B	EL180UH070E36B	7175035
XC14-024-230A	TXV	24,000	16.00	13.00	C33-36B	EL180UH070XE36B	7175036
XC14-024-230A	TXV	23,400	15.50	12.50	C33-36B	EL195UH030XE24B	8605685
XC14-024-230A	TXV	23,400	15.50	12.50	C33-36B	EL195UH045XE24B	8605686
XC14-024-230A	TXV	23,400	15.50	12.50	C33-36B	EL195UH045XE36B	7175037
XC14-024-230A	TXV	23,600	16.00	13.00	C33-36B	EL195UH070XE36B	7175038
XC14-024-230A	TXV	23,400	15.50	12.50	C33-36B	EL296UH045XE36B	7175039
XC14-024-230A	TXV	24,000	16.00	13.00	C33-36B	EL296UH045XV36B	7175041
XC14-024-230A	TXV	23,600	16.00	13.00	C33-36B	EL296UH070XE36B	7175040
XC14-024-230A	TXV	24,000	16.00	13.00	C33-36B	EL296UH070XV36B	7175042
XC14-024-230A	TXV	24,000	16.00	13.00	C33-36B	SL280UH090V36B	7175032
XC14-024-230A	TXV	24,000	16.00	13.00	C33-36B	SL280UH090V48B	7175033
XC14-024-230A	TXV	24,000	16.00	13.00	C33-36B	SL280UH090XV48B	7175034

NOTES:

TXV = Matched with Thermostatic Expansion Valve.

RFC = Matched with RFC metering device.

AHRI certified to AHRI Standard 210/240 (with 25 ft. of connecting refrigerant lines); 95°F outdoor air temperature, 80°F db / 67°F wb entering evaporator air.

All ratings include the use of a blower time delay relay (TDR). All Lennox variable-speed furnaces and Air Handlers have time delay capabilities. Other Furnaces and Air Handlers may require an optional time delay relay (**58M81**) for field installation. See furnace or air handler specifications to determine if relay is needed.

Also see Expansion Valve Kit Usage Table.

AHRI SYSTEM MATCHES - ALL REGIONS - 018-024-030-041-042-047-048-060

NOTE - For the latest up-to-date system matches please visit the AHRI web site at <http://www.ahridirectory.org>

Model No.	Expansion Device	Capacity	SEER	EER	Coil or Air Handler	Furnace	AHRI Reference
XC14-024-230A	TXV	24,000	16.00	13.00	C33-36B	SLP98UH070XV36B	7175043
XC14-024-230A	TXV	24,000	16.00	13.00	C33-36C	EL296UH090XV36C	7175044
XC14-024-230A	TXV	24,000	16.00	13.00	C33-36C	SLP98UH090XV36C	7175045
XC14-024-230A	TXV	24,000	16.00	13.00	C33-38A	EL180UH045E36A	7175050
XC14-024-230A	TXV	24,000	16.00	13.00	C33-38A	EL180UH045XE36A	7175051
XC14-024-230A	TXV	24,000	16.00	13.50	C33-38A	SL280UH070V36A	7175048
XC14-024-230A	TXV	24,000	16.00	13.50	C33-38A	SL280UH070XV36A	7175049
XC14-024-230A	TXV	24,000	14.50	12.50	C33-38A		7175047
XC14-024-230A	TXV	24,000	16.00	13.50	C33-38B	EL180UH070E36B	7175057
XC14-024-230A	TXV	24,000	16.00	13.50	C33-38B	EL180UH070XE36B	7175058
XC14-024-230A	TXV	24,000	16.00	13.00	C33-38B	EL195UH030XE24B	8605688
XC14-024-230A	TXV	24,000	16.00	13.00	C33-38B	EL195UH045XE24B	8605689
XC14-024-230A	TXV	24,000	16.00	13.00	C33-38B	EL195UH045XE36B	7175059
XC14-024-230A	TXV	24,000	16.00	13.00	C33-38B	EL195UH070XE36B	7175060
XC14-024-230A	TXV	24,000	16.00	13.00	C33-38B	EL296UH045XE36B	7175061
XC14-024-230A	TXV	24,000	16.00	13.00	C33-38B	EL296UH045XV36B	7175063
XC14-024-230A	TXV	24,000	16.00	13.00	C33-38B	EL296UH070XE36B	7175062
XC14-024-230A	TXV	24,000	16.00	13.00	C33-38B	EL296UH070XV36B	7175064
XC14-024-230A	TXV	24,000	16.00	13.50	C33-38B	SL280UH090V36B	7175054
XC14-024-230A	TXV	24,000	16.00	13.00	C33-38B	SL280UH090V48B	7175055
XC14-024-230A	TXV	24,000	16.00	13.00	C33-38B	SL280UH090XV48B	7175056
XC14-024-230A	TXV	24,000	16.00	13.00	C33-38B	SLP98UH070XV36B	7175065
XC14-024-230A	TXV	24,000	14.50	12.50	C33-38B		7175053
XC14-024-230A	TXV	24,000	16.00	13.00	C35-18/24B	EL195UH030XE24B	8605690
XC14-024-230A	TXV	24,000	16.00	13.00	C35-18/24B	EL195UH045XE24B	8605692
XC14-024-230A	TXV	24,000	16.00	13.00	C35-24A	EL180UH045E36A	8264950
XC14-024-230A	TXV	24,000	16.00	13.00	C35-24A	EL180UH045XE36A	8264952
XC14-024-230A	TXV	24,000	16.00	13.00	C35-24A	SL280UH070V36A	8264947
XC14-024-230A	TXV	24,000	16.00	13.00	C35-24A	SL280UH070XV36A	8264949
XC14-024-230A	TXV	24,000	14.25	12.20	C35-24A		8264945
XC14-024-230A	TXV	24,000	16.00	13.00	C35-24B	EL180UH070E36B	8264969
XC14-024-230A	TXV	24,000	16.00	13.00	C35-24B	EL180UH070XE36B	8264971
XC14-024-230A	TXV	24,000	16.00	13.00	C35-24B	EL195UH030XE24B	8605693
XC14-024-230A	TXV	24,000	16.00	13.00	C35-24B	EL195UH045XE24B	8605695
XC14-024-230A	TXV	24,000	16.00	13.00	C35-24B	EL195UH045XE36B	8264955
XC14-024-230A	TXV	24,000	16.00	13.00	C35-24B	EL195UH070XE36B	8264957
XC14-024-230A	TXV	24,000	16.00	13.00	C35-24B	EL296UH045XE36B	8264959
XC14-024-230A	TXV	24,000	16.00	13.00	C35-24B	EL296UH045XV36B	8264964
XC14-024-230A	TXV	24,000	16.00	13.00	C35-24B	EL296UH070XE36B	8264961
XC14-024-230A	TXV	24,000	16.00	13.00	C35-24B	EL296UH070XV36B	8264966
XC14-024-230A	TXV	24,000	16.00	13.00	C35-24B	SL280UH090V36B	8264973
XC14-024-230A	TXV	24,000	16.00	13.00	C35-24B	SL280UH090V48B	8264974
XC14-024-230A	TXV	24,000	16.00	13.00	C35-24B	SL280UH090XV48B	8264962
XC14-024-230A	TXV	24,000	16.00	13.00	C35-24B	SLP98UH070XV36B	8264968
XC14-024-230A	TXV	24,000	14.25	12.20	C35-24B		8264954
XC14-024-230A	TXV	24,000	16.00	13.00	C35-30/36A	EL180UH045E36A	8265011
XC14-024-230A	TXV	24,000	16.00	13.00	C35-30/36A	EL180UH045XE36A	8265013
XC14-024-230A	TXV	24,000	16.00	13.00	C35-30/36A	SL280UH070V36A	8265008
XC14-024-230A	TXV	24,000	16.00	13.00	C35-30/36A	SL280UH070XV36A	8265010

NOTES:

TXV = Matched with Thermostatic Expansion Valve.

RFC = Matched with RFC metering device.

AHRI certified to AHRI Standard 210/240 (with 25 ft. of connecting refrigerant lines); 95°F outdoor air temperature, 80°F db / 67°F wb entering evaporator air.

All ratings include the use of a blower time delay relay (TDR). All Lennox variable-speed furnaces and Air Handlers have time delay capabilities. Other Furnaces and Air Handlers may require an optional time delay relay (**58M81**) for field installation. See furnace or air handler specifications to determine if relay is needed.

Also see Expansion Valve Kit Usage Table.

AHRI SYSTEM MATCHES - ALL REGIONS - 018-024-030-041-042-047-048-060

NOTE - For the latest up-to-date system matches please visit the AHRI web site at <http://www.ahridirectory.org>

Model No.	Expansion Device	Capacity	SEER	EER	Coil or Air Handler	Furnace	AHRI Reference
XC14-024-230A	TXV	24,000	16.00	13.00	C35-30/36B	EL180UH070E36B	8265029
XC14-024-230A	TXV	24,000	16.00	13.00	C35-30/36B	EL180UH070XE36B	8265031
XC14-024-230A	TXV	23,600	16.00	13.00	C35-30/36B	EL195UH030XE24B	8605696
XC14-024-230A	TXV	23,600	16.00	13.00	C35-30/36B	EL195UH045XE24B	8605697
XC14-024-230A	TXV	23,400	15.50	12.50	C35-30/36B	EL195UH045XE36B	8265032
XC14-024-230A	TXV	23,600	16.00	13.00	C35-30/36B	EL195UH070XE36B	8265014
XC14-024-230A	TXV	23,400	15.50	12.50	C35-30/36B	EL296UH045XE36B	8265016
XC14-024-230A	TXV	24,000	16.00	13.00	C35-30/36B	EL296UH045XV36B	8265019
XC14-024-230A	TXV	23,600	16.00	13.00	C35-30/36B	EL296UH070XE36B	8265018
XC14-024-230A	TXV	24,000	16.00	13.00	C35-30/36B	EL296UH070XV36B	8265021
XC14-024-230A	TXV	24,000	16.00	13.00	C35-30/36B	SL280UH090V36B	8265024
XC14-024-230A	TXV	24,000	16.00	13.00	C35-30/36B	SL280UH090V48B	8265026
XC14-024-230A	TXV	24,000	16.00	13.00	C35-30/36B	SL280UH090XV48B	8265028
XC14-024-230A	TXV	24,000	16.00	13.00	C35-30/36B	SLP98UH070XV36B	8265023
XC14-024-230A	TXV	24,000	16.00	13.00	C35-30/36C	EL296UH090XV36C	8265034
XC14-024-230A	TXV	24,000	16.00	13.00	C35-30/36C	SLP98UH090XV36C	8265036
XC14-024-230A	TXV	24,000	16.00	13.00	C35-30A	EL180UH045E36A	8264978
XC14-024-230A	TXV	24,000	16.00	13.00	C35-30A	EL180UH045XE36A	8264979
XC14-024-230A	TXV	24,000	16.00	13.00	C35-30A	SL280UH070V36A	8264981
XC14-024-230A	TXV	24,000	16.00	13.00	C35-30A	SL280UH070XV36A	8264983
XC14-024-230A	TXV	24,000	14.50	12.20	C35-30A		8264976
XC14-024-230A	TXV	24,000	16.00	13.00	C35-30B	EL180UH070E36B	8265007
XC14-024-230A	TXV	24,000	16.00	13.00	C35-30B	EL180UH070XE36B	8264991
XC14-024-230A	TXV	24,000	16.00	13.00	C35-30B	EL195UH030XE24B	8605699
XC14-024-230A	TXV	24,000	16.00	13.00	C35-30B	EL195UH045XE24B	8605700
XC14-024-230A	TXV	24,000	16.00	13.00	C35-30B	EL195UH045XE36B	8264993
XC14-024-230A	TXV	24,000	16.00	13.00	C35-30B	EL195UH070XE36B	8264995
XC14-024-230A	TXV	24,000	16.00	13.00	C35-30B	EL296UH045XE36B	8264997
XC14-024-230A	TXV	24,000	16.00	13.00	C35-30B	EL296UH045XV36B	8265000
XC14-024-230A	TXV	24,000	16.00	13.00	C35-30B	EL296UH070XE36B	8264998
XC14-024-230A	TXV	24,000	16.00	13.00	C35-30B	EL296UH070XV36B	8264988
XC14-024-230A	TXV	24,000	16.00	13.00	C35-30B	SL280UH090V36B	8265002
XC14-024-230A	TXV	24,000	16.00	13.00	C35-30B	SL280UH090V48B	8265003
XC14-024-230A	TXV	24,000	16.00	13.00	C35-30B	SL280UH090XV48B	8265005
XC14-024-230A	TXV	24,000	16.00	13.00	C35-30B	SLP98UH070XV36B	8264989
XC14-024-230A	TXV	24,000	14.50	12.20	C35-30B		8264986
XC14-024-230A	TXV	24,000	16.00	13.00	C35-36A	EL180UH045E36A	8265043
XC14-024-230A	TXV	24,000	16.00	13.00	C35-36A	EL180UH045XE36A	8265044
XC14-024-230A	TXV	24,000	16.00	13.50	C35-36A	SL280UH070V36A	8265039
XC14-024-230A	TXV	24,000	16.00	13.50	C35-36A	SL280UH070XV36A	8265041
XC14-024-230A	TXV	24,000	14.50	12.50	C35-36A		8265038
XC14-024-230A	TXV	24,000	16.00	13.50	C35-36B	EL180UH070E36B	8265062
XC14-024-230A	TXV	24,000	16.00	13.50	C35-36B	EL180UH070XE36B	8265064
XC14-024-230A	TXV	24,000	16.00	13.00	C35-36B	EL195UH030XE24B	8605701
XC14-024-230A	TXV	24,000	16.00	13.00	C35-36B	EL195UH045XE24B	8605703
XC14-024-230A	TXV	24,000	16.00	13.00	C35-36B	EL195UH045XE36B	8265066
XC14-024-230A	TXV	24,000	16.00	13.00	C35-36B	EL195UH070XE36B	8265048
XC14-024-230A	TXV	24,000	16.00	13.00	C35-36B	EL296UH045XE36B	8265049
XC14-024-230A	TXV	24,000	16.00	13.00	C35-36B	EL296UH045XV36B	8265052

NOTES:

TXV = Matched with Thermostatic Expansion Valve.

RFC = Matched with RFC metering device.

AHRI certified to AHRI Standard 210/240 (with 25 ft. of connecting refrigerant lines); 95°F outdoor air temperature, 80°F db / 67°F wb entering evaporator air.

All ratings include the use of a blower time delay relay (TDR). All Lennox variable-speed furnaces and Air Handlers have time delay capabilities. Other Furnaces and Air Handlers may require an optional time delay relay (**58M81**) for field installation. See furnace or air handler specifications to determine if relay is needed.

Also see Expansion Valve Kit Usage Table.

AHRI SYSTEM MATCHES - ALL REGIONS - 018-024-030-041-042-047-048-060

NOTE - For the latest up-to-date system matches please visit the AHRI web site at <http://www.ahridirectory.org>

Model No.	Expansion Device	Capacity	SEER	EER	Coil or Air Handler	Furnace	AHRI Reference
XC14-024-230A	TXV	24,000	16.00	13.00	C35-36B	EL296UH070XE36B	8265051
XC14-024-230A	TXV	24,000	16.00	13.00	C35-36B	EL296UH070XV36B	8265054
XC14-024-230A	TXV	24,000	16.00	13.50	C35-36B	SL280UH090V36B	8265057
XC14-024-230A	TXV	24,000	16.00	13.00	C35-36B	SL280UH090V48B	8265059
XC14-024-230A	TXV	24,000	16.00	13.00	C35-36B	SL280UH090XV48B	8265061
XC14-024-230A	TXV	24,000	16.00	13.00	C35-36B	SLP98UH070XV36B	8265056
XC14-024-230A	TXV	24,000	14.50	12.50	C35-36B		8265046
XC14-024-230A	TXV	23,600	14.50	12.20	CBX25UH-024		7175066
XC14-024-230A	TXV	23,800	14.50	12.20	CBX25UH-030		7175067
XC14-024-230A	TXV	24,000	14.50	12.20	CBX25UH-036		7175068
XC14-024-230A	TXV	24,000	16.00	13.00	CBX25UHV-024		7175069
XC14-024-230A	TXV	24,000	16.00	13.00	CBX25UHV-030		7175070
XC14-024-230A	TXV	24,000	16.00	13.00	CBX25UHV-036		7175071
XC14-024-230A	TXV	24,000	16.00	13.00	CBX27UH-024		7175072
XC14-024-230A	TXV	24,000	16.00	13.00	CBX27UH-030		7175073
XC14-024-230A	TXV	23,800	14.50	12.20	CBX32M-018/024		7175074
XC14-024-230A	TXV	24,000	15.10	12.50	CBX32M-030		7175075
XC14-024-230A	TXV	24,000	15.50	12.50	CBX32MV-018/024		7175076
XC14-024-230A	TXV	24,000	16.00	13.00	CBX32MV-024/030		7175077
XC14-024-230A	TXV	24,000	16.00	13.00	CBX40UHV-024		8560059
XC14-024-230A	TXV	22,800	15.10	12.50	CH23-31	EL180UH045E36A	7175081
XC14-024-230A	TXV	22,800	15.10	12.50	CH23-31	EL180UH045XE36A	7175082
XC14-024-230A	TXV	23,200	15.50	12.50	CH23-31	EL180UH070E36B	7175083
XC14-024-230A	TXV	23,200	15.50	12.50	CH23-31	EL180UH070XE36B	7175084
XC14-024-230A	TXV	23,000	15.10	12.50	CH23-31	EL195UH030XE24B	8605704
XC14-024-230A	TXV	23,000	15.10	12.50	CH23-31	EL195UH045XE24B	8605706
XC14-024-230A	TXV	23,000	15.10	12.50	CH23-31	EL195UH045XE36B	7175085
XC14-024-230A	TXV	23,000	15.10	12.50	CH23-31	EL195UH070XE36B	7175086
XC14-024-230A	TXV	23,000	15.10	12.50	CH23-31	EL296UH045XE36B	7175087
XC14-024-230A	TXV	23,200	15.50	12.50	CH23-31	EL296UH045XV36B	7175089
XC14-024-230A	TXV	23,000	15.10	12.50	CH23-31	EL296UH070XE36B	7175088
XC14-024-230A	TXV	23,200	16.00	13.00	CH23-31	EL296UH070XV36B	7175090
XC14-024-230A	TXV	23,400	15.10	13.00	CH23-31	SL280UH070V36A	7175078
XC14-024-230A	TXV	23,400	16.00	13.00	CH23-31	SL280UH070XV36A	7175079
XC14-024-230A	TXV	23,400	16.00	13.00	CH23-31	SL280UH090V36B	7175080
XC14-024-230A	TXV	23,200	16.00	13.00	CH23-31	SLP98UH070XV36B	7175091
XC14-024-230A	TXV	24,000	16.00	13.00	CH23-41	EL180UH045E36A	7175096
XC14-024-230A	TXV	24,000	16.00	13.00	CH23-41	EL180UH045XE36A	7175097
XC14-024-230A	TXV	24,000	16.00	13.00	CH23-41	EL180UH070E36B	7175098
XC14-024-230A	TXV	24,000	16.00	13.00	CH23-41	EL180UH070XE36B	7175099
XC14-024-230A	TXV	24,000	16.00	13.00	CH23-41	EL195UH030XE24B	8605707
XC14-024-230A	TXV	24,000	16.00	13.00	CH23-41	EL195UH045XE24B	8605708
XC14-024-230A	TXV	24,000	16.00	13.00	CH23-41	EL195UH045XE36B	7175100
XC14-024-230A	TXV	24,000	16.00	13.00	CH23-41	EL195UH070XE36B	7175101
XC14-024-230A	TXV	24,000	16.00	13.00	CH23-41	EL296UH045XE36B	7175102
XC14-024-230A	TXV	24,000	16.00	13.00	CH23-41	EL296UH045XV36B	7175104
XC14-024-230A	TXV	24,000	16.00	13.00	CH23-41	EL296UH070XE36B	7175103
XC14-024-230A	TXV	24,000	16.00	13.00	CH23-41	EL296UH070XV36B	7175105
XC14-024-230A	TXV	24,000	16.00	13.00	CH23-41	SL280UH070V36A	7175094

NOTES:

TXV = Matched with Thermostatic Expansion Valve.

RFC = Matched with RFC metering device.

AHRI certified to AHRI Standard 210/240 (with 25 ft. of connecting refrigerant lines); 95°F outdoor air temperature, 80°F db / 67°F wb entering evaporator air.

All ratings include the use of a blower time delay relay (TDR). All Lennox variable-speed furnaces and Air Handlers have time delay capabilities. Other Furnaces and Air Handlers may require an optional time delay relay (**58M81**) for field installation. See furnace or air handler specifications to determine if relay is needed.

Also see Expansion Valve Kit Usage Table.

AHRI SYSTEM MATCHES - ALL REGIONS - 018-024-030-041-042-047-048-060

NOTE - For the latest up-to-date system matches please visit the AHRI web site at <http://www.ahridirectory.org>

Model No.	Expansion Device	Capacity	SEER	EER	Coil or Air Handler	Furnace	AHRI Reference
XC14-024-230A	TXV	24,000	16.00	13.00	CH23-41	SL280UH070XV36A	7175393
XC14-024-230A	TXV	24,000	16.00	13.00	CH23-41	SL280UH090V36B	7175095
XC14-024-230A	TXV	24,000	16.00	13.00	CH23-41	SLP98UH070XV36B	7175106
XC14-024-230A	TXV	23,800	15.50	12.50	CH33-19	EL180UH045E36A	7175110
XC14-024-230A	TXV	23,800	15.50	12.50	CH33-19	EL180UH045XE36A	7175111
XC14-024-230A	TXV	24,000	15.10	13.00	CH33-19	SL280UH070V36A	7175108
XC14-024-230A	TXV	24,000	15.10	13.00	CH33-19	SL280UH070XV36A	7175109
XC14-024-230A	TXV	23,800	15.50	12.50	CH33-24/30	EL180UH045E36A	7175115
XC14-024-230A	TXV	23,800	15.50	12.50	CH33-24/30	EL180UH045XE36A	7175116
XC14-024-230A	TXV	23,800	15.10	13.00	CH33-24/30	SL280UH070V36A	7175113
XC14-024-230A	TXV	23,800	15.10	13.00	CH33-24/30	SL280UH070XV36A	7175114
XC14-024-230A	TXV	24,000	16.00	13.00	CH33-25A	EL180UH045E36A	7175121
XC14-024-230A	TXV	24,000	16.00	13.00	CH33-25A	EL180UH045XE36A	7175122
XC14-024-230A	TXV	24,000	16.00	13.00	CH33-25A	SL280UH070V36A	7175119
XC14-024-230A	TXV	24,000	16.00	13.00	CH33-25A	SL280UH070XV36A	7175120
XC14-024-230A	TXV	24,000	14.50	12.20	CH33-25A		7175118
XC14-024-230A	TXV	24,000	16.00	13.00	CH33-25B	EL180UH070E36B	7175126
XC14-024-230A	TXV	24,000	16.00	13.00	CH33-25B	EL180UH070XE36B	7175127
XC14-024-230A	TXV	24,000	16.00	13.00	CH33-25B	EL195UH030XE24B	8605710
XC14-024-230A	TXV	24,000	16.00	13.00	CH33-25B	EL195UH045XE24B	8605711
XC14-024-230A	TXV	24,000	16.00	13.00	CH33-25B	EL195UH045XE36B	7175128
XC14-024-230A	TXV	24,000	16.00	13.00	CH33-25B	EL195UH070XE36B	7175129
XC14-024-230A	TXV	24,000	16.00	13.00	CH33-25B	EL296UH045XE36B	7175130
XC14-024-230A	TXV	24,000	16.00	13.00	CH33-25B	EL296UH045XV36B	7175132
XC14-024-230A	TXV	24,000	16.00	13.00	CH33-25B	EL296UH070XE36B	7175131
XC14-024-230A	TXV	24,000	16.00	13.00	CH33-25B	EL296UH070XV36B	7175133
XC14-024-230A	TXV	24,000	16.00	13.00	CH33-25B	SL280UH090V36B	7175125
XC14-024-230A	TXV	24,000	16.00	13.00	CH33-25B	SLP98UH070XV36B	7175134
XC14-024-230A	TXV	24,000	16.00	13.00	CH33-31A	EL180UH045E36A	7175138
XC14-024-230A	TXV	24,000	16.00	13.00	CH33-31A	EL180UH045XE36A	7175139
XC14-024-230A	TXV	24,000	16.00	13.00	CH33-31A	SL280UH070V36A	7175136
XC14-024-230A	TXV	24,000	16.00	13.00	CH33-31A	SL280UH070XV36A	7175137
XC14-024-230A	TXV	24,000	14.50	12.50	CH33-31A		7175135
XC14-024-230A	TXV	24,000	16.00	13.50	CH33-31B	EL180UH070E36B	7175143
XC14-024-230A	TXV	24,000	16.00	13.50	CH33-31B	EL180UH070XE36B	7175144
XC14-024-230A	TXV	24,000	16.00	13.00	CH33-31B	EL195UH030XE24B	8605712
XC14-024-230A	TXV	24,000	16.00	13.00	CH33-31B	EL195UH045XE24B	8605714
XC14-024-230A	TXV	24,000	16.00	13.00	CH33-31B	EL195UH045XE36B	7175145
XC14-024-230A	TXV	24,000	16.00	13.00	CH33-31B	EL195UH070XE36B	7175146
XC14-024-230A	TXV	24,000	16.00	13.00	CH33-31B	EL296UH045XE36B	7175147
XC14-024-230A	TXV	24,000	16.00	13.00	CH33-31B	EL296UH045XV36B	7175149
XC14-024-230A	TXV	24,000	16.00	13.00	CH33-31B	EL296UH070XE36B	7175148
XC14-024-230A	TXV	24,000	16.00	13.00	CH33-31B	EL296UH070XV36B	7175150
XC14-024-230A	TXV	24,000	16.00	13.50	CH33-31B	SL280UH090V36B	7175142
XC14-024-230A	TXV	24,000	16.00	13.00	CH33-31B	SLP98UH070XV36B	7175151
XC14-024-230A	TXV	24,000	14.50	12.50	CH33-31B		7175141
XC14-024-230A	TXV	24,000	16.00	13.00	CH33-36A	EL180UH045E36A	7175156
XC14-024-230A	TXV	24,000	16.00	13.00	CH33-36A	EL180UH045XE36A	7175157
XC14-024-230A	TXV	24,000	16.00	13.00	CH33-36A	SL280UH070V36A	7175154

NOTES:

TXV = Matched with Thermostatic Expansion Valve.

RFC = Matched with RFC metering device.

AHRI certified to AHRI Standard 210/240 (with 25 ft. of connecting refrigerant lines); 95°F outdoor air temperature, 80°F db / 67°F wb entering evaporator air. All ratings include the use of a blower time delay relay (TDR). All Lennox variable-speed furnaces and Air Handlers have time delay capabilities. Other Furnaces and Air Handlers may require an optional time delay relay (**58M81**) for field installation. See furnace or air handler specifications to determine if relay is needed.

Also see Expansion Valve Kit Usage Table.

AHRI SYSTEM MATCHES - ALL REGIONS - 018-024-030-041-042-047-048-060

NOTE - For the latest up-to-date system matches please visit the AHRI web site at <http://www.ahridirectory.org>

Model No.	Expansion Device	Capacity	SEER	EER	Coil or Air Handler	Furnace	AHRI Reference
XC14-024-230A	TXV	24,000	16.00	13.00	CH33-36A	SL280UH070XV36A	7175155
XC14-024-230A	TXV	24,000	16.00	13.00	CH33-36B	EL180UH070E36B	7175161
XC14-024-230A	TXV	24,000	16.00	13.00	CH33-36B	EL180UH070XE36B	7175162
XC14-024-230A	TXV	24,000	16.00	13.00	CH33-36B	EL195UH030XE24B	8605715
XC14-024-230A	TXV	24,000	16.00	13.00	CH33-36B	EL195UH045XE24B	8605716
XC14-024-230A	TXV	24,000	16.00	13.00	CH33-36B	EL195UH045XE36B	7175163
XC14-024-230A	TXV	24,000	16.00	13.00	CH33-36B	EL195UH070XE36B	7175164
XC14-024-230A	TXV	24,000	16.00	13.00	CH33-36B	EL296UH045XE36B	7175165
XC14-024-230A	TXV	24,000	16.00	13.00	CH33-36B	EL296UH045XV36B	7175167
XC14-024-230A	TXV	24,000	16.00	13.00	CH33-36B	EL296UH070XE36B	7175166
XC14-024-230A	TXV	24,000	16.00	13.00	CH33-36B	EL296UH070XV36B	7175168
XC14-024-230A	TXV	24,000	16.00	13.00	CH33-36B	SL280UH090V36B	7175160
XC14-024-230A	TXV	24,000	16.00	13.00	CH33-36B	SLP98UH070XV36B	7175169
XC14-024-230A	TXV	24,000	16.00	13.00	CH33-36C	EL296UH090XV36C	7175172
XC14-024-230A	TXV	24,000	16.00	13.00	CH33-36C	SLP98UH090XV36C	7175173
XC14-024-230A	TXV	24,000	14.50	12.20	CH33-36C		7175171
XC14-024-230A	TXV	24,000	16.00	13.00	CH33-42	EL195UH030XE24B	8606188
XC14-024-230A	TXV	24,000	16.00	13.00	CH33-42	EL195UH045XE24B	8606189
XC14-024-230A	TXV	24,000	16.00	13.00	CH33-43B	EL195UH030XE24B	8605718
XC14-024-230A	TXV	24,000	16.00	13.00	CH33-43B	EL195UH045XE24B	8605720
XC14-024-230A	TXV	24,000	16.00	13.00	CH33-43B	EL195UH045XE36B	8237806
XC14-024-230A	TXV	24,000	16.00	13.00	CH35-18A	EL180UH045E36A	7175177
XC14-024-230A	TXV	24,000	16.00	13.00	CH35-18A	EL180UH045XE36A	7175178
XC14-024-230A	TXV	24,000	16.00	13.00	CH35-18A	SL280UH070V36A	7175175
XC14-024-230A	TXV	24,000	16.00	13.00	CH35-18A	SL280UH070XV36A	7175176
XC14-024-230A	TXV	24,000	16.00	13.00	CH35-24A	EL180UH045E36A	7175183
XC14-024-230A	TXV	24,000	16.00	13.00	CH35-24A	EL180UH045XE36A	7175184
XC14-024-230A	TXV	24,000	16.00	13.00	CH35-24A	SL280UH070V36A	7175181
XC14-024-230A	TXV	24,000	16.00	13.00	CH35-24A	SL280UH070XV36A	7175182
XC14-024-230A	TXV	24,000	14.50	12.20	CH35-24A		7175180
XC14-024-230A	TXV	24,000	16.00	13.00	CH35-24B	EL180UH070E36B	7175188
XC14-024-230A	TXV	24,000	16.00	13.00	CH35-24B	EL180UH070XE36B	7175189
XC14-024-230A	TXV	24,000	16.00	13.00	CH35-24B	EL195UH030XE24B	8605721
XC14-024-230A	TXV	24,000	16.00	13.00	CH35-24B	EL195UH045XE24B	8605722
XC14-024-230A	TXV	24,000	16.00	13.00	CH35-24B	EL195UH045XE36B	7175190
XC14-024-230A	TXV	24,000	16.00	13.00	CH35-24B	EL195UH070XE36B	7175191
XC14-024-230A	TXV	24,000	16.00	13.00	CH35-24B	EL296UH045XV36B	7175192
XC14-024-230A	TXV	24,000	16.00	13.00	CH35-24B	EL296UH070XV36B	7175193
XC14-024-230A	TXV	24,000	16.00	13.00	CH35-24B	SL280UH090V36B	7175187
XC14-024-230A	TXV	24,000	16.00	13.00	CH35-24B	SLP98UH070XV36B	7175194
XC14-024-230A	TXV	24,000	14.50	12.20	CH35-24B		7175186
XC14-024-230A	TXV	24,000	16.00	13.00	CH35-30A	EL180UH045E36A	7175199
XC14-024-230A	TXV	24,000	16.00	13.00	CH35-30A	EL180UH045XE36A	7175200
XC14-024-230A	TXV	24,000	16.00	13.00	CH35-30A	SL280UH070V36A	7175197
XC14-024-230A	TXV	24,000	16.00	13.00	CH35-30A	SL280UH070XV36A	7175198
XC14-024-230A	TXV	24,000	15.00	12.50	CH35-30A		7175196
XC14-024-230A	TXV	24,000	16.00	13.50	CH35-30B	EL180UH070E36B	7175204
XC14-024-230A	TXV	24,000	16.00	13.50	CH35-30B	EL180UH070XE36B	7175205
XC14-024-230A	TXV	24,000	16.00	13.00	CH35-30B	EL195UH030XE24B	8605724

NOTES:

TXV = Matched with Thermostatic Expansion Valve.

RFC = Matched with RFC metering device.

AHRI certified to AHRI Standard 210/240 (with 25 ft. of connecting refrigerant lines); 95°F outdoor air temperature, 80°F db / 67°F wb entering evaporator air.

All ratings include the use of a blower time delay relay (TDR). All Lennox variable-speed furnaces and Air Handlers have time delay capabilities. Other Furnaces and Air Handlers may require an optional time delay relay (**58M81**) for field installation. See furnace or air handler specifications to determine if relay is needed.

Also see Expansion Valve Kit Usage Table.

AHRI SYSTEM MATCHES - ALL REGIONS - 018-024-030-041-042-047-048-060

NOTE - For the latest up-to-date system matches please visit the AHRI web site at <http://www.ahridirectory.org>

Model No.	Expansion Device	Capacity	SEER	EER	Coil or Air Handler	Furnace	AHRI Reference
XC14-024-230A	TXV	24,000	16.00	13.00	CH35-30B	EL195UH045XE24B	8605725
XC14-024-230A	TXV	24,000	16.00	13.00	CH35-30B	EL195UH045XE36B	7175206
XC14-024-230A	TXV	24,000	16.00	13.00	CH35-30B	EL195UH070XE36B	7175207
XC14-024-230A	TXV	24,000	16.00	13.00	CH35-30B	EL296UH045XV36B	7175208
XC14-024-230A	TXV	24,000	16.00	13.00	CH35-30B	EL296UH070XV36B	7175209
XC14-024-230A	TXV	24,000	16.00	13.50	CH35-30B	SL280UH090V36B	7175203
XC14-024-230A	TXV	24,000	16.00	13.00	CH35-30B	SLP98UH070XV36B	7175210
XC14-024-230A	TXV	24,000	14.50	12.50	CH35-30B		7175202
XC14-024-230A	TXV	24,000	16.00	13.00	CH35-36A	EL180UH045E36A	7175214
XC14-024-230A	TXV	24,000	16.00	13.00	CH35-36A	EL180UH045XE36A	7175215
XC14-024-230A	TXV	24,000	16.00	13.00	CH35-36A	SL280UH070V36A	7175212
XC14-024-230A	TXV	24,000	16.00	13.00	CH35-36A	SL280UH070XV36A	7175213
XC14-024-230A	TXV	23,800	14.25	12.20	CH35-36A		7175211
XC14-024-230A	TXV	24,000	16.00	13.00	CH35-36B	EL180UH070E36B	7175219
XC14-024-230A	TXV	24,000	16.00	13.00	CH35-36B	EL180UH070XE36B	7175220
XC14-024-230A	TXV	24,000	16.00	13.00	CH35-36B	EL195UH030XE24B	8605727
XC14-024-230A	TXV	24,000	16.00	13.00	CH35-36B	EL195UH045XE24B	8605728
XC14-024-230A	TXV	24,000	16.00	13.00	CH35-36B	EL195UH045XE36B	7175221
XC14-024-230A	TXV	24,000	16.00	13.00	CH35-36B	EL195UH070XE36B	7175222
XC14-024-230A	TXV	24,000	16.00	13.00	CH35-36B	EL296UH045XV36B	7175223
XC14-024-230A	TXV	24,000	16.00	13.00	CH35-36B	EL296UH070XV36B	7175224
XC14-024-230A	TXV	24,000	16.00	13.00	CH35-36B	SL280UH090V36B	7175218
XC14-024-230A	TXV	24,000	16.00	13.00	CH35-36B	SLP98UH070XV36B	7175225
XC14-024-230A	TXV	23,800	14.00	12.20	CH35-36B		7175216
XC14-024-230A	TXV	24,000	16.00	13.00	CH35-36C	EL296UH090XV36C	7175228
XC14-024-230A	TXV	24,000	16.00	13.00	CH35-36C	SLP98UH090XV36C	7175229
XC14-024-230A	TXV	24,000	14.25	12.20	CH35-36C		7175226
XC14-024-230A	TXV	23,400	15.10	12.50	CR33-24A	EL180DF045E36A	7175231
XC14-024-230A	TXV	23,200	15.10	12.50	CR33-24A	SL280DF070V36A	7175230
XC14-024-230A	TXV	23,200	15.50	12.50	CR33-24B	EL180DF070E36B	7175232
XC14-024-230A	TXV	22,800	15.10	12.50	CR33-24B	EL195DF045XE36B	7175233
XC14-024-230A	TXV	23,200	15.50	12.50	CR33-24B	EL195DF070XE48B	7175234
XC14-024-230A	TXV	22,800	15.10	12.50	CR33-24B	EL296DF045XE36B	7175235
XC14-024-230A	TXV	23,200	15.10	12.50	CR33-24B	EL296DF045XV36B	7175237
XC14-024-230A	TXV	23,200	15.50	12.50	CR33-24B	EL296DF070XE48B	7175236
XC14-024-230A	TXV	23,400	15.00	12.50	CR33-24B	EL296DF070XV48B	8247146
XC14-024-230A	TXV	23,400	15.50	12.50	CR33-24B	SLP98DF070XV36B	7175238
XC14-024-230A	TXV	24,000	16.00	13.00	CR33-30/36A	EL180DF045E36A	7175241
XC14-024-230A	TXV	24,000	16.00	13.00	CR33-30/36A	SL280DF070V36A	7175240
XC14-024-230A	TXV	24,000	14.50	12.20	CR33-30/36A		7175239
XC14-024-230A	TXV	24,000	16.00	13.00	CR33-30/36B	EL180DF070E36B	7175243
XC14-024-230A	TXV	24,000	16.00	13.00	CR33-30/36B	EL195DF045XE36B	7175244
XC14-024-230A	TXV	24,000	16.00	13.00	CR33-30/36B	EL195DF070XE48B	7175245
XC14-024-230A	TXV	24,000	16.00	13.00	CR33-30/36B	EL296DF045XE36B	7175246
XC14-024-230A	TXV	24,000	16.00	13.00	CR33-30/36B	EL296DF045XV36B	7175249
XC14-024-230A	TXV	24,000	16.00	13.00	CR33-30/36B	EL296DF070XE48B	7175247
XC14-024-230A	TXV	24,000	16.00	13.00	CR33-30/36B	EL296DF070XV48B	7175250
XC14-024-230A	TXV	24,000	16.00	13.00	CR33-30/36B	SL280DF090V48B	7175248
XC14-024-230A	TXV	24,000	16.00	13.00	CR33-30/36B	SLP98DF070XV36B	7175251

NOTES:

TXV = Matched with Thermostatic Expansion Valve.

RFC = Matched with RFC metering device.

AHRI certified to AHRI Standard 210/240 (with 25 ft. of connecting refrigerant lines); 95°F outdoor air temperature, 80°F db / 67°F wb entering evaporator air. All ratings include the use of a blower time delay relay (TDR). All Lennox variable-speed furnaces and Air Handlers have time delay capabilities. Other Furnaces and Air Handlers may require an optional time delay relay (**58M81**) for field installation. See furnace or air handler specifications to determine if relay is needed.

Also see Expansion Valve Kit Usage Table.

AHRI SYSTEM MATCHES - ALL REGIONS - 018-024-030-041-042-047-048-060

NOTE - For the latest up-to-date system matches please visit the AHRI web site at <http://www.ahridirectory.org>

Model No.	Expansion Device	Capacity	SEER	EER	Coil or Air Handler	Furnace	AHRI Reference
XC14-024-230A	TXV	24,000	14.50	12.20	CR33-30/36B		7175242
XC14-024-230A	TXV	24,000	16.00	13.00	CR33-30/36C	SLP98DF090XV36C	7175253
XC14-024-230A	TXV	24,000	14.50	12.20	CR33-30/36C		7175252
XC14-024-230A	TXV	22,800	15.00	12.50	CX34-18/24A	EL180UH045E36A	7175254
XC14-024-230A	TXV	22,800	15.00	12.50	CX34-18/24A	EL180UH045XE36A	7175255
XC14-024-230A	TXV	22,800	15.00	12.50	CX34-18/24B	EL195UH030XE24B	8605729
XC14-024-230A	TXV	22,800	15.00	12.50	CX34-18/24B	EL195UH045XE24B	8605731
XC14-024-230A	TXV	23,800	16.00	13.00	CX34-19	EL180UH045E36A	7175259
XC14-024-230A	TXV	23,800	16.00	13.00	CX34-19	EL180UH045XE36A	7175260
XC14-024-230A	TXV	24,000	16.00	13.00	CX34-19	SL280UH070V36A	7175257
XC14-024-230A	TXV	24,000	16.00	13.00	CX34-19	SL280UH070XV36A	7175258
XC14-024-230A	TXV	24,000	16.00	13.00	CX34-25A	EL180UH045E36A	7175264
XC14-024-230A	TXV	24,000	16.00	13.00	CX34-25A	EL180UH045XE36A	7175265
XC14-024-230A	TXV	24,000	16.00	13.00	CX34-25A	SL280UH070V36A	7175262
XC14-024-230A	TXV	24,000	16.00	13.00	CX34-25A	SL280UH070XV36A	7175263
XC14-024-230A	TXV	24,000	14.25	12.20	CX34-25A		7175261
XC14-024-230A	TXV	24,000	16.00	13.00	CX34-25B	EL180UH070E36B	7175273
XC14-024-230A	TXV	24,000	16.00	13.00	CX34-25B	EL180UH070XE36B	7175274
XC14-024-230A	TXV	24,000	16.00	13.00	CX34-25B	EL195UH030XE24B	8605732
XC14-024-230A	TXV	24,000	16.00	13.00	CX34-25B	EL195UH045XE24B	8605733
XC14-024-230A	TXV	24,000	16.00	13.00	CX34-25B	EL195UH045XE36B	7175275
XC14-024-230A	TXV	24,000	16.00	13.00	CX34-25B	EL195UH070XE36B	7175276
XC14-024-230A	TXV	24,000	16.00	13.00	CX34-25B	EL296UH045XE36B	7175277
XC14-024-230A	TXV	24,000	16.00	13.00	CX34-25B	EL296UH045XV36B	7175270
XC14-024-230A	TXV	24,000	16.00	13.00	CX34-25B	EL296UH070XE36B	7175278
XC14-024-230A	TXV	24,000	16.00	13.00	CX34-25B	EL296UH070XV36B	7175271
XC14-024-230A	TXV	24,000	16.00	13.00	CX34-25B	SL280UH090V36B	7175267
XC14-024-230A	TXV	24,000	16.00	13.00	CX34-25B	SL280UH090V48B	7175268
XC14-024-230A	TXV	24,000	16.00	13.00	CX34-25B	SL280UH090XV48B	7175269
XC14-024-230A	TXV	24,000	16.00	13.00	CX34-25B	SLP98UH070XV36B	7175272
XC14-024-230A	TXV	24,000	14.25	12.20	CX34-25B		7175266
XC14-024-230A	TXV	23,600	15.50	12.50	CX34-30A	EL180UH045E36A	7175283
XC14-024-230A	TXV	23,600	15.50	12.50	CX34-30A	EL180UH045XE36A	7175284
XC14-024-230A	TXV	23,600	15.10	12.50	CX34-30A	SL280UH070V36A	7175281
XC14-024-230A	TXV	23,600	15.10	12.50	CX34-30A	SL280UH070XV36A	7175282
XC14-024-230A	TXV	23,400	15.50	12.50	CX34-30B	EL180UH070E36B	7175288
XC14-024-230A	TXV	23,400	15.50	12.50	CX34-30B	EL180UH070XE36B	7175289
XC14-024-230A	TXV	23,000	15.10	12.50	CX34-30B	EL195UH030XE24B	8605735
XC14-024-230A	TXV	23,000	15.10	12.50	CX34-30B	EL195UH045XE24B	8605736
XC14-024-230A	TXV	23,000	15.10	12.50	CX34-30B	EL195UH045XE36B	7175290
XC14-024-230A	TXV	23,400	15.50	12.50	CX34-30B	EL195UH070XE36B	7175291
XC14-024-230A	TXV	23,000	15.10	12.50	CX34-30B	EL296UH045XE36B	7175292
XC14-024-230A	TXV	23,600	15.50	12.50	CX34-30B	EL296UH045XV36B	7175294
XC14-024-230A	TXV	23,400	15.50	12.50	CX34-30B	EL296UH070XE36B	7175293
XC14-024-230A	TXV	23,600	15.50	12.50	CX34-30B	EL296UH070XV36B	7175295
XC14-024-230A	TXV	23,600	15.10	13.00	CX34-30B	SL280UH090V36B	7175285
XC14-024-230A	TXV	23,600	15.10	12.50	CX34-30B	SL280UH090V48B	7175286
XC14-024-230A	TXV	23,600	15.10	12.50	CX34-30B	SL280UH090XV48B	7175287
XC14-024-230A	TXV	23,600	15.50	12.50	CX34-30B	SLP98UH070XV36B	7175296

NOTES:

TXV = Matched with Thermostatic Expansion Valve.

RFC = Matched with RFC metering device.

AHRI certified to AHRI Standard 210/240 (with 25 ft. of connecting refrigerant lines); 95°F outdoor air temperature, 80°F db / 67°F wb entering evaporator air.

All ratings include the use of a blower time delay relay (TDR). All Lennox variable-speed furnaces and Air Handlers have time delay capabilities. Other Furnaces and Air Handlers may require an optional time delay relay (**58M81**) for field installation. See furnace or air handler specifications to determine if relay is needed.

Also see Expansion Valve Kit Usage Table.

AHRI SYSTEM MATCHES - ALL REGIONS - 018-024-030-041-042-047-048-060

NOTE - For the latest up-to-date system matches please visit the AHRI web site at <http://www.ahridirectory.org>

Model No.	Expansion Device	Capacity	SEER	EER	Coil or Air Handler	Furnace	AHRI Reference
XC14-024-230A	TXV	23,600	16.00	13.00	CX34-30C	EL296UH090XV36C	7175297
XC14-024-230A	TXV	23,600	16.00	13.00	CX34-30C	SLP98UH090XV36C	7175298
XC14-024-230A	TXV	24,000	16.00	13.00	CX34-31A	EL180UH045E36A	7175302
XC14-024-230A	TXV	24,000	16.00	13.00	CX34-31A	EL180UH045XE36A	7175303
XC14-024-230A	TXV	24,000	16.00	13.00	CX34-31A	SL280UH070V36A	7175300
XC14-024-230A	TXV	24,000	16.00	13.00	CX34-31A	SL280UH070XV36A	7175301
XC14-024-230A	TXV	24,000	14.50	12.20	CX34-31A		7175299
XC14-024-230A	TXV	24,000	16.00	13.00	CX34-31B	EL180UH070E36B	7175308
XC14-024-230A	TXV	24,000	16.00	13.00	CX34-31B	EL180UH070XE36B	7175309
XC14-024-230A	TXV	24,000	16.00	13.00	CX34-31B	EL195UH030XE24B	8605737
XC14-024-230A	TXV	24,000	16.00	13.00	CX34-31B	EL195UH045XE24B	8605739
XC14-024-230A	TXV	24,000	16.00	13.00	CX34-31B	EL195UH045XE36B	7175310
XC14-024-230A	TXV	24,000	16.00	13.00	CX34-31B	EL195UH070XE36B	7175311
XC14-024-230A	TXV	24,000	16.00	13.00	CX34-31B	EL296UH045XE36B	7175312
XC14-024-230A	TXV	24,000	16.00	13.00	CX34-31B	EL296UH045XV36B	7175314
XC14-024-230A	TXV	24,000	16.00	13.00	CX34-31B	EL296UH070XE36B	7175313
XC14-024-230A	TXV	24,000	16.00	13.00	CX34-31B	EL296UH070XV36B	7175315
XC14-024-230A	TXV	24,000	16.00	13.00	CX34-31B	SL280UH090V36B	7175305
XC14-024-230A	TXV	24,000	16.00	13.00	CX34-31B	SL280UH090V48B	7175306
XC14-024-230A	TXV	24,000	16.00	13.00	CX34-31B	SL280UH090XV48B	7175307
XC14-024-230A	TXV	24,000	16.00	13.00	CX34-31B	SLP98UH070XV36B	7175316
XC14-024-230A	TXV	24,000	14.50	12.20	CX34-31B		7175304
XC14-024-230A	TXV	24,000	16.00	13.00	CX34-36A	EL180UH045E36A	7175323
XC14-024-230A	TXV	24,000	16.00	13.00	CX34-36A	EL180UH045XE36A	7175322
XC14-024-230A	TXV	24,000	16.00	13.00	CX34-36A	SL280UH070V36A	7175320
XC14-024-230A	TXV	24,000	16.00	13.00	CX34-36A	SL280UH070XV36A	7175321
XC14-024-230A	TXV	24,000	16.00	13.00	CX34-36B	EL180UH070E36B	7175327
XC14-024-230A	TXV	24,000	16.00	13.00	CX34-36B	EL180UH070XE36B	7175328
XC14-024-230A	TXV	23,400	15.50	12.50	CX34-36B	EL195UH030XE24B	8605740
XC14-024-230A	TXV	23,400	15.50	12.50	CX34-36B	EL195UH045XE24B	8605742
XC14-024-230A	TXV	23,400	15.50	12.50	CX34-36B	EL195UH045XE36B	7175329
XC14-024-230A	TXV	23,600	16.00	13.00	CX34-36B	EL195UH070XE36B	7175330
XC14-024-230A	TXV	23,400	15.50	12.50	CX34-36B	EL296UH045XE36B	7175331
XC14-024-230A	TXV	24,000	16.00	13.00	CX34-36B	EL296UH045XV36B	7175333
XC14-024-230A	TXV	23,600	16.00	13.00	CX34-36B	EL296UH070XE36B	7175332
XC14-024-230A	TXV	24,000	16.00	13.00	CX34-36B	EL296UH070XV36B	7175334
XC14-024-230A	TXV	24,000	16.00	13.00	CX34-36B	SL280UH090V36B	7175324
XC14-024-230A	TXV	24,000	16.00	13.00	CX34-36B	SL280UH090V48B	7175325
XC14-024-230A	TXV	24,000	16.00	13.00	CX34-36B	SL280UH090XV48B	7175326
XC14-024-230A	TXV	24,000	16.00	13.00	CX34-36B	SLP98UH070XV36B	7175335
XC14-024-230A	TXV	24,000	16.00	13.00	CX34-36C	EL296UH090XV36C	7175336
XC14-024-230A	TXV	24,000	16.00	13.00	CX34-36C	SLP98UH090XV36C	7175337
XC14-024-230A	TXV	24,000	16.00	13.00	CX34-38A	EL180UH045E36A	7175341
XC14-024-230A	TXV	24,000	16.00	13.00	CX34-38A	EL180UH045XE36A	7175342
XC14-024-230A	TXV	24,000	16.00	13.50	CX34-38A	SL280UH070V36A	7175339
XC14-024-230A	TXV	24,000	16.00	13.50	CX34-38A	SL280UH070XV36A	7175340
XC14-024-230A	TXV	24,000	14.50	12.50	CX34-38A		7175338
XC14-024-230A	TXV	24,000	16.00	13.50	CX34-38B	EL180UH070E36B	7175347
XC14-024-230A	TXV	24,000	16.00	13.50	CX34-38B	EL180UH070XE36B	7175348

NOTES:

TXV = Matched with Thermostatic Expansion Valve.

RFC = Matched with RFC metering device.

AHRI certified to AHRI Standard 210/240 (with 25 ft. of connecting refrigerant lines); 95°F outdoor air temperature, 80°F db / 67°F wb entering evaporator air. All ratings include the use of a blower time delay relay (TDR). All Lennox variable-speed furnaces and Air Handlers have time delay capabilities. Other Furnaces and Air Handlers may require an optional time delay relay (**58M81**) for field installation. See furnace or air handler specifications to determine if relay is needed.

Also see Expansion Valve Kit Usage Table.

AHRI SYSTEM MATCHES - ALL REGIONS - 018-024-030-041-042-047-048-060

NOTE - For the latest up-to-date system matches please visit the AHRI web site at <http://www.ahridirectory.org>

Model No.	Expansion Device	Capacity	SEER	EER	Coil or Air Handler	Furnace	AHRI Reference
XC14-024-230A	TXV	24,000	16.00	13.00	CX34-38B	EL195UH030XE24B	8605743
XC14-024-230A	TXV	24,000	16.00	13.00	CX34-38B	EL195UH045XE24B	8605744
XC14-024-230A	TXV	24,000	16.00	13.00	CX34-38B	EL195UH045XE36B	7175349
XC14-024-230A	TXV	24,000	16.00	13.00	CX34-38B	EL195UH070XE36B	7175350
XC14-024-230A	TXV	24,000	16.00	13.00	CX34-38B	EL296UH045XE36B	7175351
XC14-024-230A	TXV	24,000	16.00	13.00	CX34-38B	EL296UH045XV36B	7175353
XC14-024-230A	TXV	24,000	16.00	13.00	CX34-38B	EL296UH070XE36B	7175352
XC14-024-230A	TXV	24,000	16.00	13.00	CX34-38B	EL296UH070XV36B	7175354
XC14-024-230A	TXV	24,000	16.00	13.50	CX34-38B	SL280UH090V36B	7175344
XC14-024-230A	TXV	24,000	16.00	13.00	CX34-38B	SL280UH090V48B	7175345
XC14-024-230A	TXV	24,000	16.00	13.00	CX34-38B	SL280UH090XV48B	7175346
XC14-024-230A	TXV	24,000	16.00	13.00	CX34-38B	SLP98UH070XV36B	7175355
XC14-024-230A	TXV	24,000	14.50	12.50	CX34-38B		7175343
XC14-024-230A	TXV	22,800	15.00	12.50	CX35-18/24A	EL180UH045E36A	8265067
XC14-024-230A	TXV	22,800	15.00	12.50	CX35-18/24A	EL180UH045XE36A	8265069
XC14-024-230A	TXV	22,800	15.00	12.50	CX35-18/24B	EL195UH030XE24B	8605746
XC14-024-230A	TXV	22,800	15.00	12.50	CX35-18/24B	EL195UH045XE24B	8605747
XC14-024-230A	TXV	24,000	16.00	13.00	CX35-24A	EL180UH045E36A	8265073
XC14-024-230A	TXV	24,000	16.00	13.00	CX35-24A	EL180UH045XE36A	8265074
XC14-024-230A	TXV	24,000	16.00	13.00	CX35-24A	SL280UH070V36A	8265076
XC14-024-230A	TXV	24,000	16.00	13.00	CX35-24A	SL280UH070XV36A	8265078
XC14-024-230A	TXV	24,000	14.25	12.20	CX35-24A		8265071
XC14-024-230A	TXV	24,000	16.00	13.00	CX35-24B	EL180UH070E36B	8265087
XC14-024-230A	TXV	24,000	16.00	13.00	CX35-24B	EL180UH070XE36B	8265089
XC14-024-230A	TXV	24,000	16.00	13.00	CX35-24B	EL195UH030XE24B	8605748
XC14-024-230A	TXV	24,000	16.00	13.00	CX35-24B	EL195UH045XE24B	8605750
XC14-024-230A	TXV	24,000	16.00	13.00	CX35-24B	EL195UH045XE36B	8265091
XC14-024-230A	TXV	24,000	16.00	13.00	CX35-24B	EL195UH070XE36B	8265092
XC14-024-230A	TXV	24,000	16.00	13.00	CX35-24B	EL296UH045XE36B	8265081
XC14-024-230A	TXV	24,000	16.00	13.00	CX35-24B	EL296UH045XV36B	8265099
XC14-024-230A	TXV	24,000	16.00	13.00	CX35-24B	EL296UH070XE36B	8265083
XC14-024-230A	TXV	24,000	16.00	13.00	CX35-24B	EL296UH070XV36B	8265084
XC14-024-230A	TXV	24,000	16.00	13.00	CX35-24B	SL280UH090V36B	8265094
XC14-024-230A	TXV	24,000	16.00	13.00	CX35-24B	SL280UH090V48B	8265096
XC14-024-230A	TXV	24,000	16.00	13.00	CX35-24B	SL280UH090XV48B	8265097
XC14-024-230A	TXV	24,000	16.00	13.00	CX35-24B	SLP98UH070XV36B	8265086
XC14-024-230A	TXV	24,000	14.25	12.20	CX35-24B		8265079
XC14-024-230A	TXV	24,000	16.00	13.00	CX35-30/36A	EL180UH045E36A	8265136
XC14-024-230A	TXV	24,000	16.00	13.00	CX35-30/36A	EL180UH045XE36A	8265134
XC14-024-230A	TXV	24,000	16.00	13.00	CX35-30/36A	SL280UH070V36A	8265131
XC14-024-230A	TXV	24,000	16.00	13.00	CX35-30/36A	SL280UH070XV36A	8265132
XC14-024-230A	TXV	24,000	16.00	13.00	CX35-30/36B	EL180UH070E36B	8265145
XC14-024-230A	TXV	24,000	16.00	13.00	CX35-30/36B	EL180UH070XE36B	8265147
XC14-024-230A	TXV	23,400	15.50	12.50	CX35-30/36B	EL195UH030XE24B	8605752
XC14-024-230A	TXV	23,400	15.50	12.50	CX35-30/36B	EL195UH045XE24B	8605753
XC14-024-230A	TXV	23,400	15.50	12.50	CX35-30/36B	EL195UH045XE36B	8265148
XC14-024-230A	TXV	23,600	16.00	13.00	CX35-30/36B	EL195UH070XE36B	8265150
XC14-024-230A	TXV	23,400	15.50	12.50	CX35-30/36B	EL296UH045XE36B	8265152
XC14-024-230A	TXV	24,000	16.00	13.00	CX35-30/36B	EL296UH045XV36B	8265139

NOTES:

TXV = Matched with Thermostatic Expansion Valve.

RFC = Matched with RFC metering device.

AHRI certified to AHRI Standard 210/240 (with 25 ft. of connecting refrigerant lines); 95°F outdoor air temperature, 80°F db / 67°F wb entering evaporator air.

All ratings include the use of a blower time delay relay (TDR). All Lennox variable-speed furnaces and Air Handlers have time delay capabilities. Other Furnaces and Air Handlers may require an optional time delay relay (**58M81**) for field installation. See furnace or air handler specifications to determine if relay is needed.

Also see Expansion Valve Kit Usage Table.

AHRI SYSTEM MATCHES - ALL REGIONS - 018-024-030-041-042-047-048-060

NOTE - For the latest up-to-date system matches please visit the AHRI web site at <http://www.ahridirectory.org>

Model No.	Expansion Device	Capacity	SEER	EER	Coil or Air Handler	Furnace	AHRI Reference
XC14-024-230A	TXV	23,600	16.00	13.00	CX35-30/36B	EL296UH070XE36B	8265137
XC14-024-230A	TXV	24,000	16.00	13.00	CX35-30/36B	EL296UH070XV36B	8265141
XC14-024-230A	TXV	24,000	16.00	13.00	CX35-30/36B	SL280UH090V36B	8265153
XC14-024-230A	TXV	24,000	16.00	13.00	CX35-30/36B	SL280UH090V48B	8265155
XC14-024-230A	TXV	24,000	16.00	13.00	CX35-30/36B	SL280UH090XV48B	8265143
XC14-024-230A	TXV	24,000	16.00	13.00	CX35-30/36B	SLP98UH070XV36B	8265142
XC14-024-230A	TXV	24,000	16.00	13.00	CX35-30/36C	EL296UH090XV36C	8265157
XC14-024-230A	TXV	24,000	16.00	13.00	CX35-30/36C	SLP98UH090XV36C	8265158
XC14-024-230A	TXV	24,000	16.00	13.00	CX35-30A	EL180UH045E36A	8265106
XC14-024-230A	TXV	24,000	16.00	13.00	CX35-30A	EL180UH045XE36A	8265108
XC14-024-230A	TXV	24,000	16.00	13.00	CX35-30A	SL280UH070V36A	8265102
XC14-024-230A	TXV	24,000	16.00	13.00	CX35-30A	SL280UH070XV36A	8265104
XC14-024-230A	TXV	24,000	14.50	12.20	CX35-30A		8265101
XC14-024-230A	TXV	24,000	16.00	13.00	CX35-30B	EL180UH070E36B	8265126
XC14-024-230A	TXV	24,000	16.00	13.00	CX35-30B	EL180UH070XE36B	8265128
XC14-024-230A	TXV	24,000	16.00	13.00	CX35-30B	EL195UH030XE24B	8605754
XC14-024-230A	TXV	24,000	16.00	13.00	CX35-30B	EL195UH045XE24B	8605756
XC14-024-230A	TXV	24,000	16.00	13.00	CX35-30B	EL195UH045XE36B	8265129
XC14-024-230A	TXV	24,000	16.00	13.00	CX35-30B	EL195UH070XE36B	8265111
XC14-024-230A	TXV	24,000	16.00	13.00	CX35-30B	EL296UH045XE36B	8265113
XC14-024-230A	TXV	24,000	16.00	13.00	CX35-30B	EL296UH045XV36B	8265116
XC14-024-230A	TXV	24,000	16.00	13.00	CX35-30B	EL296UH070XE36B	8265114
XC14-024-230A	TXV	24,000	16.00	13.00	CX35-30B	EL296UH070XV36B	8265118
XC14-024-230A	TXV	24,000	16.00	13.00	CX35-30B	SL280UH090V36B	8265121
XC14-024-230A	TXV	24,000	16.00	13.00	CX35-30B	SL280UH090V48B	8265123
XC14-024-230A	TXV	24,000	16.00	13.00	CX35-30B	SL280UH090XV48B	8265124
XC14-024-230A	TXV	24,000	16.00	13.00	CX35-30B	SLP98UH070XV36B	8265119
XC14-024-230A	TXV	24,000	14.50	12.20	CX35-30B		8265109
XC14-024-230A	TXV	24,000	16.00	13.00	CX35-36A	EL180UH045E36A	8265165
XC14-024-230A	TXV	24,000	16.00	13.00	CX35-36A	EL180UH045XE36A	8265166
XC14-024-230A	TXV	24,000	16.00	13.50	CX35-36A	SL280UH070V36A	8265162
XC14-024-230A	TXV	24,000	16.00	13.50	CX35-36A	SL280UH070XV36A	8265163
XC14-024-230A	TXV	24,000	14.50	12.50	CX35-36A		8265160
XC14-024-230A	TXV	24,000	16.00	13.50	CX35-36B	EL180UH070E36B	8265178
XC14-024-230A	TXV	24,000	16.00	13.50	CX35-36B	EL180UH070XE36B	8265180
XC14-024-230A	TXV	24,000	16.00	13.00	CX35-36B	EL195UH030XE24B	8605757
XC14-024-230A	TXV	24,000	16.00	13.00	CX35-36B	EL195UH045XE24B	8605758
XC14-024-230A	TXV	24,000	16.00	13.00	CX35-36B	EL195UH045XE36B	8265182
XC14-024-230A	TXV	24,000	16.00	13.00	CX35-36B	EL195UH070XE36B	8265183
XC14-024-230A	TXV	24,000	16.00	13.00	CX35-36B	EL296UH045XE36B	8265185
XC14-024-230A	TXV	24,000	16.00	13.00	CX35-36B	EL296UH045XV36B	8265172
XC14-024-230A	TXV	24,000	16.00	13.00	CX35-36B	EL296UH070XE36B	8265170
XC14-024-230A	TXV	24,000	16.00	13.00	CX35-36B	EL296UH070XV36B	8265173
XC14-024-230A	TXV	24,000	16.00	13.50	CX35-36B	SL280UH090V36B	8265186
XC14-024-230A	TXV	24,000	16.00	13.00	CX35-36B	SL280UH090V48B	8265188
XC14-024-230A	TXV	24,000	16.00	13.00	CX35-36B	SL280UH090XV48B	8265177
XC14-024-230A	TXV	24,000	16.00	13.00	CX35-36B	SLP98UH070XV36B	8265175
XC14-024-230A	TXV	24,000	14.50	12.50	CX35-36B		8265168
XC14-030-230A	RFC	28,000	14.25	12.20	C33-31A		7513386

NOTES:

TXV = Matched with Thermostatic Expansion Valve.

RFC = Matched with RFC metering device.

AHRI certified to AHRI Standard 210/240 (with 25 ft. of connecting refrigerant lines); 95°F outdoor air temperature, 80°F db / 67°F wb entering evaporator air.

All ratings include the use of a blower time delay relay (TDR). All Lennox variable-speed furnaces and Air Handlers have time delay capabilities. Other Furnaces and Air Handlers may require an optional time delay relay (**58M81**) for field installation. See furnace or air handler specifications to determine if relay is needed.

Also see Expansion Valve Kit Usage Table.

AHRI SYSTEM MATCHES - ALL REGIONS - 018-024-030-041-042-047-048-060

NOTE - For the latest up-to-date system matches please visit the AHRI web site at <http://www.ahridirectory.org>

Model No.	Expansion Device	Capacity	SEER	EER	Coil or Air Handler	Furnace	AHRI Reference
XC14-030-230A	RFC	28,000	14.25	12.20	C33-31B		7513434
XC14-030-230A	RFC	28,000	14.25	12.20	C33-38A		7513438
XC14-030-230A	RFC	28,000	14.25	12.20	C33-38B		7513428
XC14-030-230A	RFC	28,000	14.50	12.20	C33-43		7513389
XC14-030-230A	RFC	28,000	14.00	12.20	C35-30A		8471055
XC14-030-230A	RFC	28,000	14.00	12.20	C35-30B		8471057
XC14-030-230A	RFC	28,000	14.00	12.20	C35-36A		8471059
XC14-030-230A	RFC	28,000	14.00	12.20	C35-36B		8471061
XC14-030-230A	RFC	27,400	14.00	12.20	C35-48B		8471062
XC14-030-230A	RFC	27,400	14.00	12.20	C35-48C		8471063
XC14-030-230A	RFC	28,000	14.25	12.20	CH33-31A		7513424
XC14-030-230A	RFC	28,000	14.25	12.20	CH33-31B		7513426
XC14-030-230A	RFC	28,000	14.00	12.20	CH33-42B		7513420
XC14-030-230A	RFC	28,000	14.50	12.50	CH33-43B		7513421
XC14-030-230A	TXV	28,000	15.10	12.50	C33-25A	EL180UH045E36A	7513442
XC14-030-230A	TXV	28,000	15.10	12.50	C33-25A	EL180UH045XE36A	7513443
XC14-030-230A	TXV	28,000	15.50	12.50	C33-25A	SL280UH070V36A	7513440
XC14-030-230A	TXV	28,000	15.50	12.50	C33-25A	SL280UH070XV36A	7513441
XC14-030-230A	TXV	28,000	15.50	12.50	C33-25B	EL180UH070E36B	7513860
XC14-030-230A	TXV	28,000	15.50	12.50	C33-25B	EL180UH070XE36B	7513861
XC14-030-230A	TXV	27,800	15.50	12.50	C33-25B	EL180UH090E48B	7513444
XC14-030-230A	TXV	27,800	15.50	12.50	C33-25B	EL180UH090XE48B	7513445
XC14-030-230A	TXV	28,000	15.10	12.50	C33-25B	EL195UH045XE36B	7513862
XC14-030-230A	TXV	28,000	15.00	12.50	C33-25B	EL195UH070XE36B	7513864
XC14-030-230A	TXV	28,000	15.10	12.50	C33-25B	EL296UH045XE36B	7513863
XC14-030-230A	TXV	28,000	15.00	12.50	C33-25B	EL296UH070XE36B	7513853
XC14-030-230A	TXV	28,000	15.10	12.50	C33-25B	EL296UH070XV36B	7513854
XC14-030-230A	TXV	28,000	15.50	12.50	C33-25B	SL280UH090V36B	7513859
XC14-030-230A	TXV	28,000	15.10	12.50	C33-25B	SLP98UH070XV36B	7513855
XC14-030-230A	TXV	27,400	15.00	12.50	C33-30A	EL180UH045E36A	7513850
XC14-030-230A	TXV	27,400	15.00	12.50	C33-30A	EL180UH045XE36A	7513851
XC14-030-230A	TXV	27,400	15.00	12.50	C33-30A	SL280UH070V36A	7513848
XC14-030-230A	TXV	27,400	15.00	12.50	C33-30A	SL280UH070XV36A	7513849
XC14-030-230A	TXV	27,400	15.10	12.50	C33-30B	EL180UH070E36B	7513852
XC14-030-230A	TXV	27,400	15.10	12.50	C33-30B	EL180UH070XE36B	7513841
XC14-030-230A	TXV	27,200	15.10	12.50	C33-30B	EL180UH090E48B	7513856
XC14-030-230A	TXV	27,200	15.10	12.50	C33-30B	EL180UH090XE48B	7513857
XC14-030-230A	TXV	27,200	14.50	12.50	C33-30B	EL195UH045XE36B	7513858
XC14-030-230A	TXV	27,400	14.50	12.50	C33-30B	EL195UH070XE36B	7513842
XC14-030-230A	TXV	27,200	14.50	12.50	C33-30B	EL296UH045XE36B	7513847
XC14-030-230A	TXV	27,400	14.50	12.50	C33-30B	EL296UH070XE36B	7513843
XC14-030-230A	TXV	27,400	15.00	12.50	C33-30B	EL296UH070XV36B	7513844
XC14-030-230A	TXV	27,600	15.10	12.50	C33-30B	SL280UH090V36B	7513846
XC14-030-230A	TXV	27,400	15.00	12.50	C33-30B	SLP98UH070XV36B	7513845
XC14-030-230A	TXV	27,400	15.10	12.50	C33-30C	SLP98UH090XV36C	7513500
XC14-030-230A	TXV	28,000	15.50	12.50	C33-31A	EL180UH045E36A	7513837
XC14-030-230A	TXV	28,000	15.50	12.50	C33-31A	EL180UH045XE36A	7513838
XC14-030-230A	TXV	28,000	16.00	13.00	C33-31A	SL280UH070V36A	7513835
XC14-030-230A	TXV	28,000	16.00	13.00	C33-31A	SL280UH070XV36A	7513836

NOTES:

TXV = Matched with Thermostatic Expansion Valve.

RFC = Matched with RFC metering device.

AHRI certified to AHRI Standard 210/240 (with 25 ft. of connecting refrigerant lines); 95°F outdoor air temperature, 80°F db / 67°F wb entering evaporator air.

All ratings include the use of a blower time delay relay (TDR). All Lennox variable-speed furnaces and Air Handlers have time delay capabilities. Other Furnaces and Air Handlers may require an optional time delay relay (**58M81**) for field installation. See furnace or air handler specifications to determine if relay is needed.

Also see Expansion Valve Kit Usage Table.

AHRI SYSTEM MATCHES - ALL REGIONS - 018-024-030-041-042-047-048-060

NOTE - For the latest up-to-date system matches please visit the AHRI web site at <http://www.ahridirectory.org>

Model No.	Expansion Device	Capacity	SEER	EER	Coil or Air Handler	Furnace	AHRI Reference
XC14-030-230A	TXV	28,000	14.25	12.20	C33-31A		7513387
XC14-030-230A	TXV	28,000	16.00	13.00	C33-31B	EL180UH070E36B	7513840
XC14-030-230A	TXV	28,000	16.00	13.00	C33-31B	EL180UH070XE36B	7513829
XC14-030-230A	TXV	28,000	16.00	13.00	C33-31B	EL180UH090E48B	7513830
XC14-030-230A	TXV	28,000	16.00	13.00	C33-31B	EL180UH090XE48B	7513831
XC14-030-230A	TXV	28,000	15.50	12.50	C33-31B	EL195UH045XE36B	7513832
XC14-030-230A	TXV	28,000	15.10	12.50	C33-31B	EL195UH070XE36B	7513834
XC14-030-230A	TXV	28,000	15.50	12.50	C33-31B	EL296UH045XE36B	7513833
XC14-030-230A	TXV	28,000	15.10	12.50	C33-31B	EL296UH070XE36B	7513823
XC14-030-230A	TXV	28,000	16.00	13.00	C33-31B	EL296UH070XV36B	7513824
XC14-030-230A	TXV	28,000	16.00	13.00	C33-31B	SL280UH090V36B	7513839
XC14-030-230A	TXV	28,000	16.00	13.00	C33-31B	SLP98UH070XV36B	7513825
XC14-030-230A	TXV	28,000	14.25	12.20	C33-31B		7513435
XC14-030-230A	TXV	28,000	15.10	12.50	C33-36A	EL180UH045E36A	7513828
XC14-030-230A	TXV	28,000	15.10	12.50	C33-36A	EL180UH045XE36A	7513817
XC14-030-230A	TXV	28,000	15.50	12.50	C33-36A	SL280UH070V36A	7513826
XC14-030-230A	TXV	28,000	15.50	12.50	C33-36A	SL280UH070XV36A	7513827
XC14-030-230A	TXV	28,000	15.50	12.50	C33-36B	EL180UH070E36B	7513820
XC14-030-230A	TXV	28,000	15.50	12.50	C33-36B	EL180UH070XE36B	7513821
XC14-030-230A	TXV	28,000	15.50	12.50	C33-36B	EL180UH090E48B	7513822
XC14-030-230A	TXV	28,000	15.50	12.50	C33-36B	EL180UH090XE48B	7513811
XC14-030-230A	TXV	28,000	15.10	12.50	C33-36B	EL195UH045XE36B	7513812
XC14-030-230A	TXV	28,000	15.10	12.50	C33-36B	EL195UH070XE36B	7513814
XC14-030-230A	TXV	28,000	15.10	12.50	C33-36B	EL296UH045XE36B	7513813
XC14-030-230A	TXV	27,800	15.10	12.50	C33-36B	EL296UH045XV36B	7513501
XC14-030-230A	TXV	28,000	15.10	12.50	C33-36B	EL296UH070XE36B	7513815
XC14-030-230A	TXV	28,000	15.50	12.50	C33-36B	EL296UH070XV36B	7513818
XC14-030-230A	TXV	28,000	15.50	12.50	C33-36B	SL280UH090V36B	7513819
XC14-030-230A	TXV	28,000	15.50	12.50	C33-36B	SLP98UH070XV36B	7513816
XC14-030-230A	TXV	28,000	15.10	12.50	C33-36C	EL195UH090XE48C	7513805
XC14-030-230A	TXV	28,000	15.10	12.50	C33-36C	EL296UH090XE48C	7513806
XC14-030-230A	TXV	28,000	15.50	12.50	C33-36C	EL296UH090XV36C	7513807
XC14-030-230A	TXV	28,000	15.50	12.50	C33-36C	SLP98UH090XV36C	7513808
XC14-030-230A	TXV	28,000	16.00	13.00	C33-38A	EL180UH045E36A	7513799
XC14-030-230A	TXV	28,000	16.00	13.00	C33-38A	EL180UH045XE36A	7513800
XC14-030-230A	TXV	28,000	16.00	13.00	C33-38A	SL280UH070V36A	7513809
XC14-030-230A	TXV	28,000	16.00	13.00	C33-38A	SL280UH070XV36A	7513810
XC14-030-230A	TXV	28,000	14.50	12.20	C33-38A		7513439
XC14-030-230A	TXV	28,000	16.00	13.00	C33-38B	EL180UH070E36B	7513802
XC14-030-230A	TXV	28,000	16.00	13.00	C33-38B	EL180UH070XE36B	7513803
XC14-030-230A	TXV	28,000	16.00	13.00	C33-38B	EL180UH090E48B	7513804
XC14-030-230A	TXV	28,000	16.00	13.00	C33-38B	EL180UH090XE48B	7513793
XC14-030-230A	TXV	28,000	15.50	12.50	C33-38B	EL195UH045XE36B	7513794
XC14-030-230A	TXV	28,000	15.50	12.50	C33-38B	EL195UH070XE36B	7513796
XC14-030-230A	TXV	28,000	15.50	12.50	C33-38B	EL296UH045XE36B	7513795
XC14-030-230A	TXV	28,000	15.50	12.50	C33-38B	EL296UH045XV36B	7513798
XC14-030-230A	TXV	28,000	15.50	12.50	C33-38B	EL296UH070XE36B	7513797
XC14-030-230A	TXV	28,000	16.00	13.00	C33-38B	EL296UH070XV36B	7513787
XC14-030-230A	TXV	28,000	16.00	13.00	C33-38B	SL280UH090V36B	7513801

NOTES:

TXV = Matched with Thermostatic Expansion Valve.

RFC = Matched with RFC metering device.

AHRI certified to AHRI Standard 210/240 (with 25 ft. of connecting refrigerant lines); 95°F outdoor air temperature, 80°F db / 67°F wb entering evaporator air.

All ratings include the use of a blower time delay relay (TDR). All Lennox variable-speed furnaces and Air Handlers have time delay capabilities. Other Furnaces and Air Handlers may require an optional time delay relay (**58M81**) for field installation. See furnace or air handler specifications to determine if relay is needed.

Also see Expansion Valve Kit Usage Table.

AHRI SYSTEM MATCHES - ALL REGIONS - 018-024-030-041-042-047-048-060

NOTE - For the latest up-to-date system matches please visit the AHRI web site at <http://www.ahridirectory.org>

Model No.	Expansion Device	Capacity	SEER	EER	Coil or Air Handler	Furnace	AHRI Reference
XC14-030-230A	TXV	28,000	16.00	13.00	C33-38B	SLP98UH070XV36B	7513788
XC14-030-230A	TXV	28,000	14.50	12.20	C33-38B		7513429
XC14-030-230A	TXV	28,000	16.00	13.00	C33-42	EL180UH070E36B	7513503
XC14-030-230A	TXV	28,000	16.00	13.00	C33-42	EL180UH070XE36B	7513504
XC14-030-230A	TXV	28,000	16.00	13.00	C33-42	EL180UH090E48B	7513493
XC14-030-230A	TXV	28,000	16.00	13.00	C33-42	EL180UH090XE48B	7513494
XC14-030-230A	TXV	28,000	15.50	12.50	C33-42	EL195UH045XE36B	7513495
XC14-030-230A	TXV	28,000	15.50	12.50	C33-42	EL195UH070XE36B	7513497
XC14-030-230A	TXV	28,000	15.50	12.50	C33-42	EL296UH045XE36B	7513496
XC14-030-230A	TXV	28,000	15.50	12.50	C33-42	EL296UH045XV36B	7513487
XC14-030-230A	TXV	28,000	15.50	12.50	C33-42	EL296UH070XE36B	7513498
XC14-030-230A	TXV	28,000	16.00	13.00	C33-42	EL296UH070XV36B	7513488
XC14-030-230A	TXV	28,000	15.50	12.50	C33-42	SL280UH090V36B	7513502
XC14-030-230A	TXV	28,000	16.00	13.00	C33-42	SLP98UH070XV36B	7513489
XC14-030-230A	TXV	28,000	16.00	13.00	C33-43B	EL180UH070E36B	7513790
XC14-030-230A	TXV	28,000	16.00	13.00	C33-43B	EL180UH070XE36B	7513791
XC14-030-230A	TXV	28,000	16.00	13.00	C33-43B	EL180UH090E48B	7513792
XC14-030-230A	TXV	28,000	16.00	13.00	C33-43B	EL180UH090XE48B	7513781
XC14-030-230A	TXV	28,000	15.50	12.50	C33-43B	EL195UH045XE36B	7513782
XC14-030-230A	TXV	28,000	15.50	12.50	C33-43B	EL195UH070XE36B	7513784
XC14-030-230A	TXV	28,000	15.50	12.50	C33-43B	EL296UH045XE36B	7513783
XC14-030-230A	TXV	28,000	15.50	12.50	C33-43B	EL296UH045XV36B	7513786
XC14-030-230A	TXV	28,000	15.50	12.50	C33-43B	EL296UH070XE36B	7513785
XC14-030-230A	TXV	28,000	16.00	13.00	C33-43B	EL296UH070XV36B	7513775
XC14-030-230A	TXV	28,000	16.00	13.00	C33-43B	SL280UH090V36B	7513789
XC14-030-230A	TXV	28,000	16.00	13.00	C33-43B	SLP98UH070XV36B	7513776
XC14-030-230A	TXV	28,000	14.50	12.20	C33-43B		7513430
XC14-030-230A	TXV	28,000	16.00	13.00	C33-43C	EL195UH090XE48C	7513777
XC14-030-230A	TXV	28,000	16.00	13.00	C33-43C	EL296UH090XE48C	7513778
XC14-030-230A	TXV	28,000	16.00	13.00	C33-43C	EL296UH090XV36C	7513779
XC14-030-230A	TXV	28,000	16.00	13.00	C33-43C	EL296UH090XV48C	7513769
XC14-030-230A	TXV	28,000	16.00	13.00	C33-43C	SLP98UH090XV36C	7513780
XC14-030-230A	TXV	28,000	16.00	13.00	C33-43C	SLP98UH090XV48C	7513770
XC14-030-230A	TXV	28,000	14.50	12.20	C33-43C		7513431
XC14-030-230A	TXV	28,000	15.10	12.50	C35-24A	EL180UH045E36A	8265356
XC14-030-230A	TXV	28,000	15.10	12.50	C35-24A	EL180UH045XE36A	8265358
XC14-030-230A	TXV	28,000	15.50	12.50	C35-24A	SL280UH070V36A	8265352
XC14-030-230A	TXV	28,000	15.50	12.50	C35-24A	SL280UH070XV36A	8265354
XC14-030-230A	TXV	28,000	15.50	12.50	C35-24B	EL180UH070E36B	8265363
XC14-030-230A	TXV	28,000	15.50	12.50	C35-24B	EL180UH070XE36B	8265364
XC14-030-230A	TXV	27,800	15.50	12.50	C35-24B	EL180UH090E48B	8265359
XC14-030-230A	TXV	27,800	15.50	12.50	C35-24B	EL180UH090XE48B	8265361
XC14-030-230A	TXV	28,000	15.10	12.50	C35-24B	EL195UH045XE36B	8265366
XC14-030-230A	TXV	28,000	15.00	12.50	C35-24B	EL195UH070XE36B	8265369
XC14-030-230A	TXV	28,000	15.10	12.50	C35-24B	EL296UH045XE36B	8265368
XC14-030-230A	TXV	28,000	15.00	12.50	C35-24B	EL296UH070XE36B	8265376
XC14-030-230A	TXV	28,000	15.10	12.50	C35-24B	EL296UH070XV36B	8265371
XC14-030-230A	TXV	28,000	15.50	12.50	C35-24B	SL280UH090V36B	8265374
XC14-030-230A	TXV	28,000	15.10	12.50	C35-24B	SLP98UH070XV36B	8265373

NOTES:

TXV = Matched with Thermostatic Expansion Valve.

RFC = Matched with RFC metering device.

AHRI certified to AHRI Standard 210/240 (with 25 ft. of connecting refrigerant lines); 95°F outdoor air temperature, 80°F db / 67°F wb entering evaporator air.

All ratings include the use of a blower time delay relay (TDR). All Lennox variable-speed furnaces and Air Handlers have time delay capabilities. Other Furnaces and Air Handlers may require an optional time delay relay (**58M81**) for field installation. See furnace or air handler specifications to determine if relay is needed.

Also see Expansion Valve Kit Usage Table.

AHRI SYSTEM MATCHES - ALL REGIONS - 018-024-030-041-042-047-048-060

NOTE - For the latest up-to-date system matches please visit the AHRI web site at <http://www.ahridirectory.org>

Model No.	Expansion Device	Capacity	SEER	EER	Coil or Air Handler	Furnace	AHRI Reference
XC14-030-230A	TXV	28,000	15.10	12.50	C35-30/36A	EL180UH045E36A	8265410
XC14-030-230A	TXV	28,000	15.10	12.50	C35-30/36A	EL180UH045XE36A	8265411
XC14-030-230A	TXV	28,000	15.50	12.50	C35-30/36A	SL280UH070V36A	8265406
XC14-030-230A	TXV	28,000	15.50	12.50	C35-30/36A	SL280UH070XV36A	8265408
XC14-030-230A	TXV	28,000	15.50	12.50	C35-30/36B	EL180UH070E36B	8265416
XC14-030-230A	TXV	28,000	15.50	12.50	C35-30/36B	EL180UH070XE36B	8265418
XC14-030-230A	TXV	28,000	15.50	12.50	C35-30/36B	EL180UH090E48B	8265419
XC14-030-230A	TXV	28,000	15.50	12.50	C35-30/36B	EL180UH090XE48B	8265429
XC14-030-230A	TXV	28,000	15.10	12.50	C35-30/36B	EL195UH045XE36B	8265421
XC14-030-230A	TXV	28,000	15.10	12.50	C35-30/36B	EL195UH070XE36B	8265424
XC14-030-230A	TXV	28,000	15.10	12.50	C35-30/36B	EL296UH045XE36B	8265423
XC14-030-230A	TXV	27,800	15.10	12.50	C35-30/36B	EL296UH045XV36B	8265431
XC14-030-230A	TXV	28,000	15.10	12.50	C35-30/36B	EL296UH070XE36B	8265426
XC14-030-230A	TXV	28,000	15.50	12.50	C35-30/36B	EL296UH070XV36B	8265413
XC14-030-230A	TXV	28,000	15.50	12.50	C35-30/36B	SL280UH090V36B	8265414
XC14-030-230A	TXV	28,000	15.50	12.50	C35-30/36B	SLP98UH070XV36B	8265428
XC14-030-230A	TXV	28,000	15.10	12.50	C35-30/36C	EL195UH090XE48C	8265438
XC14-030-230A	TXV	28,000	15.10	12.50	C35-30/36C	EL296UH090XE48C	8265433
XC14-030-230A	TXV	28,000	15.50	12.50	C35-30/36C	EL296UH090XV36C	8265434
XC14-030-230A	TXV	28,000	15.50	12.50	C35-30/36C	SLP98UH090XV36C	8265436
XC14-030-230A	TXV	28,000	15.50	12.50	C35-30A	EL180UH045E36A	8265381
XC14-030-230A	TXV	28,000	15.50	12.50	C35-30A	EL180UH045XE36A	8265383
XC14-030-230A	TXV	28,000	16.00	13.00	C35-30A	SL280UH070V36A	8265384
XC14-030-230A	TXV	28,000	16.00	13.00	C35-30A	SL280UH070XV36A	8265379
XC14-030-230A	TXV	28,000	14.25	12.20	C35-30A		8265378
XC14-030-230A	TXV	28,000	16.00	13.00	C35-30B	EL180UH070E36B	8265390
XC14-030-230A	TXV	28,000	16.00	13.00	C35-30B	EL180UH070XE36B	8265403
XC14-030-230A	TXV	28,000	16.00	13.00	C35-30B	EL180UH090E48B	8265392
XC14-030-230A	TXV	28,000	16.00	13.00	C35-30B	EL180UH090XE48B	8265393
XC14-030-230A	TXV	28,000	15.50	12.50	C35-30B	EL195UH045XE36B	8265395
XC14-030-230A	TXV	28,000	15.10	12.50	C35-30B	EL195UH070XE36B	8265398
XC14-030-230A	TXV	28,000	15.50	12.50	C35-30B	EL296UH045XE36B	8265396
XC14-030-230A	TXV	28,000	15.10	12.50	C35-30B	EL296UH070XE36B	8265405
XC14-030-230A	TXV	28,000	16.00	13.00	C35-30B	EL296UH070XV36B	8265400
XC14-030-230A	TXV	28,000	16.00	13.00	C35-30B	SL280UH090V36B	8265388
XC14-030-230A	TXV	28,000	16.00	13.00	C35-30B	SLP98UH070XV36B	8265401
XC14-030-230A	TXV	28,000	14.25	12.20	C35-30B		8265386
XC14-030-230A	TXV	28,000	16.00	13.00	C35-36A	EL180UH045E36A	8265446
XC14-030-230A	TXV	28,000	16.00	13.00	C35-36A	EL180UH045XE36A	8265444
XC14-030-230A	TXV	28,000	16.00	13.00	C35-36A	SL280UH070V36A	8265441
XC14-030-230A	TXV	28,000	16.00	13.00	C35-36A	SL280UH070XV36A	8265443
XC14-030-230A	TXV	28,000	14.50	12.20	C35-36A		8265440
XC14-030-230A	TXV	28,000	16.00	13.00	C35-36B	EL180UH070E36B	8265451
XC14-030-230A	TXV	28,000	16.00	13.00	C35-36B	EL180UH070XE36B	8265453
XC14-030-230A	TXV	28,000	16.00	13.00	C35-36B	EL180UH090E48B	8265455
XC14-030-230A	TXV	28,000	16.00	13.00	C35-36B	EL180UH090XE48B	8265465
XC14-030-230A	TXV	28,000	15.50	12.50	C35-36B	EL195UH045XE36B	8265456
XC14-030-230A	TXV	28,000	15.50	12.50	C35-36B	EL195UH070XE36B	8265459
XC14-030-230A	TXV	28,000	15.50	12.50	C35-36B	EL296UH045XE36B	8265457

NOTES:

TXV = Matched with Thermostatic Expansion Valve.

RFC = Matched with RFC metering device.

AHRI certified to AHRI Standard 210/240 (with 25 ft. of connecting refrigerant lines); 95°F outdoor air temperature, 80°F db / 67°F wb entering evaporator air. All ratings include the use of a blower time delay relay (TDR). All Lennox variable-speed furnaces and Air Handlers have time delay capabilities. Other Furnaces and Air Handlers may require an optional time delay relay (**58M81**) for field installation. See furnace or air handler specifications to determine if relay is needed.

Also see Expansion Valve Kit Usage Table.

AHRI SYSTEM MATCHES - ALL REGIONS - 018-024-030-041-042-047-048-060

NOTE - For the latest up-to-date system matches please visit the AHRI web site at <http://www.ahridirectory.org>

Model No.	Expansion Device	Capacity	SEER	EER	Coil or Air Handler	Furnace	AHRI Reference
XC14-030-230A	TXV	28,000	15.50	12.50	C35-36B	EL296UH045XV36B	8265461
XC14-030-230A	TXV	28,000	15.50	12.50	C35-36B	EL296UH070XE36B	8265460
XC14-030-230A	TXV	28,000	16.00	13.00	C35-36B	EL296UH070XV36B	8265467
XC14-030-230A	TXV	28,000	16.00	13.00	C35-36B	SL280UH090V36B	8265450
XC14-030-230A	TXV	28,000	16.00	13.00	C35-36B	SLP98UH070XV36B	8265463
XC14-030-230A	TXV	28,000	14.50	12.20	C35-36B		8265448
XC14-030-230A	TXV	28,000	16.00	13.00	C35-48B	EL180UH070E36B	8265472
XC14-030-230A	TXV	28,000	16.00	13.00	C35-48B	EL180UH070XE36B	8265474
XC14-030-230A	TXV	28,000	16.00	13.00	C35-48B	EL180UH090E48B	8265476
XC14-030-230A	TXV	28,000	16.00	13.00	C35-48B	EL180UH090XE48B	8265487
XC14-030-230A	TXV	28,000	15.50	12.50	C35-48B	EL195UH045XE36B	8265477
XC14-030-230A	TXV	28,000	15.50	12.50	C35-48B	EL195UH070XE36B	8265480
XC14-030-230A	TXV	28,000	15.50	12.50	C35-48B	EL296UH045XE36B	8265478
XC14-030-230A	TXV	28,000	15.50	12.50	C35-48B	EL296UH045XV36B	8265483
XC14-030-230A	TXV	28,000	15.50	12.50	C35-48B	EL296UH070XE36B	8265482
XC14-030-230A	TXV	28,000	16.00	13.00	C35-48B	EL296UH070XV36B	8265488
XC14-030-230A	TXV	28,000	16.00	13.00	C35-48B	SL280UH090V36B	8265471
XC14-030-230A	TXV	28,000	16.00	13.00	C35-48B	SLP98UH070XV36B	8265485
XC14-030-230A	TXV	28,000	14.50	12.20	C35-48B		8265469
XC14-030-230A	TXV	28,000	16.00	13.00	C35-48C	EL195UH090XE48C	8265492
XC14-030-230A	TXV	28,000	16.00	13.00	C35-48C	EL296UH090XE48C	8265493
XC14-030-230A	TXV	28,000	16.00	13.00	C35-48C	EL296UH090XV36C	8265495
XC14-030-230A	TXV	28,000	16.00	13.00	C35-48C	EL296UH090XV48C	8265498
XC14-030-230A	TXV	28,000	16.00	13.00	C35-48C	SLP98UH090XV36C	8265497
XC14-030-230A	TXV	28,000	16.00	13.00	C35-48C	SLP98UH090XV48C	8265500
XC14-030-230A	TXV	28,000	14.50	12.20	C35-48C		8265490
XC14-030-230A	TXV	28,000	14.50	12.20	CBX25UH-036		7513772
XC14-030-230A	TXV	28,000	15.10	12.50	CBX25UHV-030		7513773
XC14-030-230A	TXV	28,000	15.10	12.50	CBX25UHV-036		7513774
XC14-030-230A	TXV	28,000	16.00	13.00	CBX27UH-030		7513763
XC14-030-230A	TXV	28,000	16.00	13.00	CBX27UH-036		7513764
XC14-030-230A	TXV	28,000	15.00	12.50	CBX32M-030		7513765
XC14-030-230A	TXV	28,000	15.00	12.50	CBX32M-036		7513766
XC14-030-230A	TXV	28,000	14.50	12.50	CBX32MV-024/030		7513767
XC14-030-230A	TXV	28,000	15.10	12.50	CBX32MV-036		7513768
XC14-030-230A	TXV	28,000	15.10	12.50	CBX40UHV-030		7513757
XC14-030-230A	TXV	28,000	15.50	12.50	CBX40UHV-036		7513490
XC14-030-230A	TXV	26,800	15.00	12.50	CH23-31	EL180UH070E36B	7513491
XC14-030-230A	TXV	26,800	15.00	12.50	CH23-31	EL180UH070XE36B	7513492
XC14-030-230A	TXV	26,600	14.25	12.20	CH23-31	EL195UH045XE36B	7513455
XC14-030-230A	TXV	26,600	14.25	14.60	CH23-31	EL195UH070XE36B	7513448
XC14-030-230A	TXV	26,600	14.25	12.20	CH23-31	EL296UH045XE36B	7513456
XC14-030-230A	TXV	26,600	14.50	12.20	CH23-31	EL296UH045XV36B	7513758
XC14-030-230A	TXV	26,600	14.25	14.60	CH23-31	EL296UH070XE36B	7513449
XC14-030-230A	TXV	26,800	14.50	12.50	CH23-31	EL296UH070XV36B	7513760
XC14-030-230A	TXV	26,800	15.10	12.50	CH23-31	SL280UH090V36B	7513759
XC14-030-230A	TXV	26,800	14.50	12.50	CH23-31	SLP98UH070XV36B	7513761
XC14-030-230A	TXV	28,000	15.50	12.50	CH23-41	EL180UH045E36A	7513751
XC14-030-230A	TXV	28,000	15.50	12.50	CH23-41	EL180UH045XE36A	7513752

NOTES:

TXV = Matched with Thermostatic Expansion Valve.

RFC = Matched with RFC metering device.

AHRI certified to AHRI Standard 210/240 (with 25 ft. of connecting refrigerant lines); 95°F outdoor air temperature, 80°F db / 67°F wb entering evaporator air.

All ratings include the use of a blower time delay relay (TDR). All Lennox variable-speed furnaces and Air Handlers have time delay capabilities. Other Furnaces and Air Handlers may require an optional time delay relay (**58M81**) for field installation. See furnace or air handler specifications to determine if relay is needed.

Also see Expansion Valve Kit Usage Table.

AHRI SYSTEM MATCHES - ALL REGIONS - 018-024-030-041-042-047-048-060

NOTE - For the latest up-to-date system matches please visit the AHRI web site at <http://www.ahridirectory.org>

Model No.	Expansion Device	Capacity	SEER	EER	Coil or Air Handler	Furnace	AHRI Reference
XC14-030-230A	TXV	28,000	15.50	12.50	CH23-41	EL180UH070E36B	7513753
XC14-030-230A	TXV	28,000	15.50	12.50	CH23-41	EL180UH070XE36B	7513754
XC14-030-230A	TXV	28,000	16.00	13.00	CH23-41	EL180UH090E48B	7513755
XC14-030-230A	TXV	28,000	16.00	13.00	CH23-41	EL180UH090XE48B	7513756
XC14-030-230A	TXV	28,000	15.10	12.50	CH23-41	EL195UH045XE36B	7513745
XC14-030-230A	TXV	28,000	15.10	12.50	CH23-41	EL195UH070XE36B	7513747
XC14-030-230A	TXV	28,000	15.10	12.50	CH23-41	EL296UH045XE36B	7513746
XC14-030-230A	TXV	28,000	15.10	12.50	CH23-41	EL296UH045XV36B	7513749
XC14-030-230A	TXV	28,000	15.10	12.50	CH23-41	EL296UH070XE36B	7513748
XC14-030-230A	TXV	28,000	15.50	12.50	CH23-41	EL296UH070XV36B	7513750
XC14-030-230A	TXV	28,000	16.00	13.00	CH23-41	SL280UH090V36B	7513762
XC14-030-230A	TXV	28,000	15.50	12.50	CH23-41	SLP98UH070XV36B	7513739
XC14-030-230A	TXV	27,400	15.00	12.50	CH33-19	EL180UH045E36A	7513740
XC14-030-230A	TXV	27,400	15.00	12.50	CH33-19	EL180UH045XE36A	7513741
XC14-030-230A	TXV	27,600	15.10	12.50	CH33-19	SL280UH070V36A	7513742
XC14-030-230A	TXV	27,600	15.10	12.50	CH33-19	SL280UH070XV36A	7513743
XC14-030-230A	TXV	27,400	15.00	12.50	CH33-24/30	EL180UH045E36A	7513483
XC14-030-230A	TXV	27,400	15.00	12.50	CH33-24/30	EL180UH045XE36A	7513484
XC14-030-230A	TXV	27,400	15.00	12.50	CH33-24/30	SL280UH070V36A	7513481
XC14-030-230A	TXV	27,400	15.00	12.50	CH33-24/30	SL280UH070XV36A	7513482
XC14-030-230A	TXV	28,000	15.10	12.50	CH33-25A	EL180UH045E36A	7513734
XC14-030-230A	TXV	28,000	15.10	12.50	CH33-25A	EL180UH045XE36A	7513735
XC14-030-230A	TXV	28,000	15.50	12.50	CH33-25A	SL280UH070V36A	7513744
XC14-030-230A	TXV	28,000	15.50	12.50	CH33-25A	SL280UH070XV36A	7513733
XC14-030-230A	TXV	28,000	15.50	12.50	CH33-25B	EL180UH070E36B	7513737
XC14-030-230A	TXV	28,000	15.50	12.50	CH33-25B	EL180UH070XE36B	7513738
XC14-030-230A	TXV	28,000	15.50	12.50	CH33-25B	EL180UH090E48B	7513727
XC14-030-230A	TXV	28,000	15.50	12.50	CH33-25B	EL180UH090XE48B	7513728
XC14-030-230A	TXV	28,000	15.10	12.50	CH33-25B	EL195UH045XE36B	7513729
XC14-030-230A	TXV	28,000	15.10	12.50	CH33-25B	EL195UH070XE36B	7513731
XC14-030-230A	TXV	28,000	15.10	12.50	CH33-25B	EL296UH045XE36B	7513485
XC14-030-230A	TXV	28,000	15.10	12.50	CH33-25B	EL296UH045XV36B	7513730
XC14-030-230A	TXV	28,000	15.10	12.50	CH33-25B	EL296UH070XE36B	7513732
XC14-030-230A	TXV	28,000	15.50	12.50	CH33-25B	EL296UH070XV36B	7513721
XC14-030-230A	TXV	28,000	16.00	13.00	CH33-25B	SL280UH090V36B	8740468
XC14-030-230A	TXV	28,000	15.50	12.50	CH33-25B	SLP98UH070XV36B	7513722
XC14-030-230A	TXV	28,000	15.50	12.50	CH33-31A	EL180UH045E36A	7513725
XC14-030-230A	TXV	28,000	15.50	12.50	CH33-31A	EL180UH045XE36A	7513726
XC14-030-230A	TXV	28,000	15.50	12.50	CH33-31A	SL280UH070V36A	7513723
XC14-030-230A	TXV	28,000	15.50	12.50	CH33-31A	SL280UH070XV36A	7513724
XC14-030-230A	TXV	28,000	14.25	12.20	CH33-31A		7513425
XC14-030-230A	TXV	28,000	16.00	13.00	CH33-31B	EL180UH070E36B	7513716
XC14-030-230A	TXV	28,000	16.00	13.00	CH33-31B	EL180UH070XE36B	7513717
XC14-030-230A	TXV	28,000	16.00	13.00	CH33-31B	EL180UH090E48B	7513718
XC14-030-230A	TXV	28,000	16.00	13.00	CH33-31B	EL180UH090XE48B	7513719
XC14-030-230A	TXV	28,000	15.50	12.50	CH33-31B	EL195UH045XE36B	7513720
XC14-030-230A	TXV	28,000	15.50	12.50	CH33-31B	EL195UH070XE36B	7513710
XC14-030-230A	TXV	28,000	15.50	12.50	CH33-31B	EL296UH045XE36B	7513709
XC14-030-230A	TXV	28,000	15.50	12.50	CH33-31B	EL296UH045XV36B	7513712

NOTES:

TXV = Matched with Thermostatic Expansion Valve.

RFC = Matched with RFC metering device.

AHRI certified to AHRI Standard 210/240 (with 25 ft. of connecting refrigerant lines); 95°F outdoor air temperature, 80°F db / 67°F wb entering evaporator air.

All ratings include the use of a blower time delay relay (TDR). All Lennox variable-speed furnaces and Air Handlers have time delay capabilities. Other Furnaces and Air Handlers may require an optional time delay relay (**58M81**) for field installation. See furnace or air handler specifications to determine if relay is needed.

Also see Expansion Valve Kit Usage Table.

AHRI SYSTEM MATCHES - ALL REGIONS - 018-024-030-041-042-047-048-060

NOTE - For the latest up-to-date system matches please visit the AHRI web site at <http://www.ahridirectory.org>

Model No.	Expansion Device	Capacity	SEER	EER	Coil or Air Handler	Furnace	AHRI Reference
XC14-030-230A	TXV	28,000	15.50	12.50	CH33-31B	EL296UH070XE36B	7513711
XC14-030-230A	TXV	28,000	16.00	13.00	CH33-31B	EL296UH070XV36B	7513713
XC14-030-230A	TXV	28,000	16.00	13.00	CH33-31B	SL280UH090V36B	7513715
XC14-030-230A	TXV	28,000	16.00	13.00	CH33-31B	SLP98UH070XV36B	7513714
XC14-030-230A	TXV	28,000	14.50	12.20	CH33-31B		7513427
XC14-030-230A	TXV	27,800	15.10	12.50	CH33-36A	EL180UH045E36A	7513703
XC14-030-230A	TXV	27,800	15.10	12.50	CH33-36A	EL180UH045XE36A	7513704
XC14-030-230A	TXV	28,000	15.10	12.50	CH33-36A	SL280UH070V36A	7513705
XC14-030-230A	TXV	28,000	15.10	12.50	CH33-36A	SL280UH070XV36A	7513706
XC14-030-230A	TXV	28,000	15.50	12.50	CH33-36B	EL180UH070E36B	7513697
XC14-030-230A	TXV	28,000	15.50	12.50	CH33-36B	EL180UH070XE36B	7513698
XC14-030-230A	TXV	28,000	15.50	12.50	CH33-36B	EL180UH090E48B	7513699
XC14-030-230A	TXV	28,000	15.50	12.50	CH33-36B	EL180UH090XE48B	7513700
XC14-030-230A	TXV	28,000	15.10	12.50	CH33-36B	EL195UH045XE36B	7513701
XC14-030-230A	TXV	28,000	15.10	12.50	CH33-36B	EL195UH070XE36B	7513691
XC14-030-230A	TXV	28,000	15.10	12.50	CH33-36B	EL296UH045XE36B	7513702
XC14-030-230A	TXV	27,800	15.10	12.50	CH33-36B	EL296UH045XV36B	7513707
XC14-030-230A	TXV	28,000	15.10	12.50	CH33-36B	EL296UH070XE36B	7513692
XC14-030-230A	TXV	28,000	15.50	12.50	CH33-36B	EL296UH070XV36B	8740467
XC14-030-230A	TXV	28,000	15.50	12.50	CH33-36B	SL280UH090V36B	7513708
XC14-030-230A	TXV	28,000	15.50	12.50	CH33-36B	SLP98UH070XV36B	7513694
XC14-030-230A	TXV	28,000	15.10	12.50	CH33-36C	EL195UH090XE48C	7513695
XC14-030-230A	TXV	28,000	15.10	12.50	CH33-36C	EL296UH090XE48C	7513696
XC14-030-230A	TXV	28,000	15.50	12.50	CH33-36C	EL296UH090XV36C	7614671
XC14-030-230A	TXV	28,000	15.50	12.50	CH33-36C	SLP98UH090XV36C	7513686
XC14-030-230A	TXV	28,000	16.00	13.00	CH33-42	EL180UH070E36B	7513475
XC14-030-230A	TXV	28,000	16.00	13.00	CH33-42	EL180UH070XE36B	7513476
XC14-030-230A	TXV	28,000	16.00	13.00	CH33-42	EL180UH090E48B	7513477
XC14-030-230A	TXV	28,000	16.00	13.00	CH33-42	EL180UH090XE48B	7513478
XC14-030-230A	TXV	28,000	15.50	12.50	CH33-42	EL195UH045XE36B	7513479
XC14-030-230A	TXV	28,000	15.50	12.50	CH33-42	EL195UH070XE36B	7513469
XC14-030-230A	TXV	28,000	15.50	12.50	CH33-42	EL296UH045XE36B	7513480
XC14-030-230A	TXV	28,000	15.50	12.50	CH33-42	EL296UH045XV36B	7513471
XC14-030-230A	TXV	28,000	15.50	12.50	CH33-42	EL296UH070XE36B	7513470
XC14-030-230A	TXV	28,000	15.50	12.50	CH33-42	EL296UH070XV36B	7513472
XC14-030-230A	TXV	28,000	16.00	13.00	CH33-42	SL280UH090V36B	8740469
XC14-030-230A	TXV	28,000	15.50	12.50	CH33-42	SLP98UH070XV36B	7513473
XC14-030-230A	TXV	28,000	14.25	12.20	CH33-42		7513390
XC14-030-230A	TXV	28,000	16.00	13.00	CH33-43B	EL180UH070E36B	7513688
XC14-030-230A	TXV	28,000	16.00	13.00	CH33-43B	EL180UH070XE36B	7513689
XC14-030-230A	TXV	28,000	16.00	13.00	CH33-43B	EL180UH090E48B	7513690
XC14-030-230A	TXV	28,000	16.00	13.00	CH33-43B	EL180UH090XE48B	7513679
XC14-030-230A	TXV	28,000	16.00	13.00	CH33-43B	EL195UH045XE36B	7513680
XC14-030-230A	TXV	28,000	16.00	13.00	CH33-43B	EL195UH070XE36B	7513682
XC14-030-230A	TXV	28,000	16.00	13.00	CH33-43B	EL296UH045XE36B	7513681
XC14-030-230A	TXV	28,000	16.00	13.00	CH33-43B	EL296UH045XV36B	7513684
XC14-030-230A	TXV	28,000	16.00	13.00	CH33-43B	EL296UH070XE36B	7513683
XC14-030-230A	TXV	28,000	16.00	13.00	CH33-43B	EL296UH070XV36B	7513673
XC14-030-230A	TXV	28,000	16.00	13.00	CH33-43B	SL280UH090V36B	7513687

NOTES:

TXV = Matched with Thermostatic Expansion Valve.

RFC = Matched with RFC metering device.

AHRI certified to AHRI Standard 210/240 (with 25 ft. of connecting refrigerant lines); 95°F outdoor air temperature, 80°F db / 67°F wb entering evaporator air.

All ratings include the use of a blower time delay relay (TDR). All Lennox variable-speed furnaces and Air Handlers have time delay capabilities. Other Furnaces and Air Handlers may require an optional time delay relay (**58M81**) for field installation. See furnace or air handler specifications to determine if relay is needed.

Also see Expansion Valve Kit Usage Table.

AHRI SYSTEM MATCHES - ALL REGIONS - 018-024-030-041-042-047-048-060

NOTE - For the latest up-to-date system matches please visit the AHRI web site at <http://www.ahridirectory.org>

Model No.	Expansion Device	Capacity	SEER	EER	Coil or Air Handler	Furnace	AHRI Reference
XC14-030-230A	TXV	28,000	16.00	13.00	CH33-43B	SLP98UH070XV36B	7513674
XC14-030-230A	TXV	28,000	14.50	12.50	CH33-43B		7513410
XC14-030-230A	TXV	28,000	16.00	13.00	CH33-43C	EL195UH090XE48C	7513675
XC14-030-230A	TXV	28,000	16.00	13.00	CH33-43C	EL296UH090XE48C	7513676
XC14-030-230A	TXV	28,000	16.00	13.00	CH33-43C	EL296UH090XV36C	7513677
XC14-030-230A	TXV	28,000	16.00	13.00	CH33-43C	SLP98UH090XV36C	7513678
XC14-030-230A	TXV	28,000	14.50	12.20	CH33-43C		7513411
XC14-030-230A	TXV	28,000	15.50	12.50	CH35-24B	EL180UH070E36B	7513652
XC14-030-230A	TXV	28,000	15.50	12.50	CH35-30A	EL180UH045E36A	7513669
XC14-030-230A	TXV	28,000	15.50	12.50	CH35-30A	EL180UH045XE36A	7513670
XC14-030-230A	TXV	28,000	15.50	12.50	CH35-30A	SL280UH070V36A	7513667
XC14-030-230A	TXV	28,000	15.50	12.50	CH35-30A	SL280UH070XV36A	7513668
XC14-030-230A	TXV	28,000	14.25	12.20	CH35-30A		7565655
XC14-030-230A	TXV	28,000	16.00	13.00	CH35-30B	EL180UH070E36B	7513672
XC14-030-230A	TXV	28,000	16.00	13.00	CH35-30B	EL180UH070XE36B	7513661
XC14-030-230A	TXV	28,000	16.00	13.00	CH35-30B	EL180UH090E48B	7513662
XC14-030-230A	TXV	28,000	16.00	13.00	CH35-30B	EL180UH090XE48B	7513663
XC14-030-230A	TXV	28,000	15.50	12.50	CH35-30B	EL195UH045XE36B	7513664
XC14-030-230A	TXV	28,000	15.50	12.50	CH35-30B	EL195UH070XE36B	7513666
XC14-030-230A	TXV	28,000	15.50	12.50	CH35-30B	EL296UH045XE36B	7513656
XC14-030-230A	TXV	28,000	15.50	12.50	CH35-30B	EL296UH045XV36B	7513665
XC14-030-230A	TXV	28,000	15.50	12.50	CH35-30B	EL296UH070XE36B	7513655
XC14-030-230A	TXV	28,000	16.00	13.00	CH35-30B	EL296UH070XV36B	7513657
XC14-030-230A	TXV	28,000	16.00	13.00	CH35-30B	SL280UH090V36B	7622663
XC14-030-230A	TXV	28,000	16.00	13.00	CH35-30B	SLP98UH070XV36B	7513658
XC14-030-230A	TXV	28,000	14.50	12.20	CH35-30B		7513412
XC14-030-230A	TXV	28,000	15.10	12.50	CH35-36A	EL180UH045E36A	7513649
XC14-030-230A	TXV	28,000	15.10	12.50	CH35-36A	EL180UH045XE36A	7513650
XC14-030-230A	TXV	28,000	15.10	12.50	CH35-36A	SL280UH070V36A	7513659
XC14-030-230A	TXV	28,000	15.10	12.50	CH35-36A	SL280UH070XV36A	7513660
XC14-030-230A	TXV	28,000	15.50	12.50	CH35-36B	EL180UH070E36B	7513653
XC14-030-230A	TXV	28,000	15.50	12.50	CH35-36B	EL180UH070XE36B	7614652
XC14-030-230A	TXV	28,000	15.50	12.50	CH35-36B	EL180UH090E48B	7513651
XC14-030-230A	TXV	28,000	15.50	12.50	CH35-36B	EL180UH090XE48B	7614653
XC14-030-230A	TXV	28,000	15.10	12.50	CH35-36B	EL195UH045XE36B	7513644
XC14-030-230A	TXV	28,000	15.10	12.50	CH35-36B	EL195UH070XE36B	7513646
XC14-030-230A	TXV	28,000	15.10	12.50	CH35-36B	EL296UH045XE36B	7513645
XC14-030-230A	TXV	28,000	15.10	12.50	CH35-36B	EL296UH045XV36B	7513648
XC14-030-230A	TXV	28,000	15.10	12.50	CH35-36B	EL296UH070XE36B	7513647
XC14-030-230A	TXV	28,000	15.50	12.50	CH35-36B	EL296UH070XV36B	7513637
XC14-030-230A	TXV	28,000	16.00	13.00	CH35-36B	SL280UH090V36B	8740470
XC14-030-230A	TXV	28,000	15.50	12.50	CH35-36B	SLP98UH070XV36B	7513638
XC14-030-230A	TXV	28,000	15.10	12.50	CH35-36C	EL195UH090XE48C	7513639
XC14-030-230A	TXV	28,000	15.10	12.50	CH35-36C	EL296UH090XE48C	7513640
XC14-030-230A	TXV	28,000	16.00	13.00	CH35-36C	EL296UH090XV36C	7513641
XC14-030-230A	TXV	28,000	16.00	13.00	CH35-36C	SLP98UH090XV36C	7513642
XC14-030-230A	TXV	28,000	16.00	13.00	CH35-42B	EL180UH070E36B	7513632
XC14-030-230A	TXV	28,000	16.00	13.00	CH35-42B	EL180UH070XE36B	7513633
XC14-030-230A	TXV	28,000	16.00	13.00	CH35-42B	EL180UH090E48B	7513634

NOTES:

TXV = Matched with Thermostatic Expansion Valve.

RFC = Matched with RFC metering device.

AHRI certified to AHRI Standard 210/240 (with 25 ft. of connecting refrigerant lines); 95°F outdoor air temperature, 80°F db / 67°F wb entering evaporator air. All ratings include the use of a blower time delay relay (TDR). All Lennox variable-speed furnaces and Air Handlers have time delay capabilities. Other Furnaces and Air Handlers may require an optional time delay relay (**58M81**) for field installation. See furnace or air handler specifications to determine if relay is needed.

Also see Expansion Valve Kit Usage Table.

AHRI SYSTEM MATCHES - ALL REGIONS - 018-024-030-041-042-047-048-060

NOTE - For the latest up-to-date system matches please visit the AHRI web site at <http://www.ahridirectory.org>

Model No.	Expansion Device	Capacity	SEER	EER	Coil or Air Handler	Furnace	AHRI Reference
XC14-030-230A	TXV	28,000	16.00	13.00	CH35-42B	EL180UH090XE48B	7513635
XC14-030-230A	TXV	28,000	16.00	13.00	CH35-42B	EL195UH045XE36B	7513636
XC14-030-230A	TXV	28,000	16.00	13.00	CH35-42B	EL195UH070XE36B	7513627
XC14-030-230A	TXV	28,000	16.00	13.00	CH35-42B	EL296UH045XE36B	7513628
XC14-030-230A	TXV	28,000	16.00	13.00	CH35-42B	EL296UH045XV36B	7513625
XC14-030-230A	TXV	28,000	16.00	13.00	CH35-42B	EL296UH070XE36B	7513626
XC14-030-230A	TXV	28,000	16.00	13.00	CH35-42B	EL296UH070XV36B	7513629
XC14-030-230A	TXV	28,000	16.00	13.00	CH35-42B	SL280UH090V36B	7513631
XC14-030-230A	TXV	28,000	16.00	13.00	CH35-42B	SLP98UH070XV36B	7513630
XC14-030-230A	TXV	28,000	14.50	12.50	CH35-42B		7513404
XC14-030-230A	TXV	28,000	15.50	12.50	CH35-42C	EL195UH090XE48C	7513619
XC14-030-230A	TXV	28,000	15.50	12.50	CH35-42C	EL296UH090XE48C	7513620
XC14-030-230A	TXV	28,000	16.00	13.00	CH35-42C	EL296UH090XV36C	7513621
XC14-030-230A	TXV	28,000	16.00	13.00	CH35-42C	SLP98UH090XV36C	7513622
XC14-030-230A	TXV	28,000	14.50	12.20	CH35-42C		7513405
XC14-030-230A	TXV	26,800	14.50	12.20	CR33-24A	EL180DF045E36A	7513623
XC14-030-230A	TXV	26,800	14.25	12.20	CR33-24B	EL180DF070E36B	7513614
XC14-030-230A	TXV	26,600	14.25	12.20	CR33-24B	EL296DF045XV36B	7513463
XC14-030-230A	TXV	26,600	14.25	12.20	CR33-24B	SL280DF090V48B	7513624
XC14-030-230A	TXV	26,600	14.25	12.20	CR33-24B	SLP98DF070XV36B	7513474
XC14-030-230A	TXV	28,000	15.10	12.50	CR33-30/36A	EL180DF045E36A	7513616
XC14-030-230A	TXV	28,000	15.50	12.50	CR33-30/36A	SL280DF070V36A	7513615
XC14-030-230A	TXV	28,000	15.50	12.50	CR33-30/36B	EL180DF070E36B	7513618
XC14-030-230A	TXV	28,000	15.50	12.50	CR33-30/36B	EL180DF090E48B	7513607
XC14-030-230A	TXV	28,000	15.10	12.50	CR33-30/36B	EL195DF045XE36B	7513608
XC14-030-230A	TXV	28,000	15.50	12.50	CR33-30/36B	EL195DF070XE48B	7513610
XC14-030-230A	TXV	28,000	15.10	12.50	CR33-30/36B	EL296DF045XE36B	7513609
XC14-030-230A	TXV	28,000	15.50	12.50	CR33-30/36B	EL296DF045XV36B	7513612
XC14-030-230A	TXV	28,000	15.50	12.50	CR33-30/36B	EL296DF070XE48B	7513611
XC14-030-230A	TXV	28,000	15.10	12.50	CR33-30/36B	EL296DF070XV48B	7614662
XC14-030-230A	TXV	28,000	15.50	12.50	CR33-30/36B	SL280DF090V48B	7622660
XC14-030-230A	TXV	28,000	15.50	12.50	CR33-30/36B	SLP98DF070XV36B	7513602
XC14-030-230A	TXV	28,000	16.00	13.00	CR33-30/36C	SLP98DF090XV36C	7513603
XC14-030-230A	TXV	28,000	15.10	12.50	CX34-25A	EL180UH045E36A	7513606
XC14-030-230A	TXV	28,000	15.10	12.50	CX34-25A	EL180UH045XE36A	7513595
XC14-030-230A	TXV	28,000	15.50	12.50	CX34-25A	SL280UH070V36A	7513604
XC14-030-230A	TXV	28,000	15.50	12.50	CX34-25A	SL280UH070XV36A	7513605
XC14-030-230A	TXV	28,000	15.50	12.50	CX34-25B	EL180UH070E36B	7513599
XC14-030-230A	TXV	28,000	15.50	12.50	CX34-25B	EL180UH070XE36B	7513600
XC14-030-230A	TXV	27,800	15.50	12.50	CX34-25B	EL180UH090E48B	7513596
XC14-030-230A	TXV	27,800	15.50	12.50	CX34-25B	EL180UH090XE48B	7513597
XC14-030-230A	TXV	28,000	15.10	12.50	CX34-25B	EL195UH045XE36B	7513589
XC14-030-230A	TXV	28,000	15.00	12.50	CX34-25B	EL195UH070XE36B	7513591
XC14-030-230A	TXV	28,000	15.10	12.50	CX34-25B	EL296UH045XE36B	7513590
XC14-030-230A	TXV	28,000	15.10	12.50	CX34-25B	EL296UH045XV36B	7513593
XC14-030-230A	TXV	28,000	15.00	12.50	CX34-25B	EL296UH070XE36B	7513592
XC14-030-230A	TXV	28,000	15.10	12.50	CX34-25B	EL296UH070XV36B	7513594
XC14-030-230A	TXV	28,000	15.50	12.50	CX34-25B	SL280UH090V36B	7513598
XC14-030-230A	TXV	28,000	15.10	12.50	CX34-25B	SLP98UH070XV36B	7513583

NOTES:

TXV = Matched with Thermostatic Expansion Valve.

RFC = Matched with RFC metering device.

AHRI certified to AHRI Standard 210/240 (with 25 ft. of connecting refrigerant lines); 95°F outdoor air temperature, 80°F db / 67°F wb entering evaporator air.

All ratings include the use of a blower time delay relay (TDR). All Lennox variable-speed furnaces and Air Handlers have time delay capabilities. Other Furnaces and Air Handlers may require an optional time delay relay (**58M81**) for field installation. See furnace or air handler specifications to determine if relay is needed.

Also see Expansion Valve Kit Usage Table.

AHRI SYSTEM MATCHES - ALL REGIONS - 018-024-030-041-042-047-048-060

NOTE - For the latest up-to-date system matches please visit the AHRI web site at <http://www.ahridirectory.org>

Model No.	Expansion Device	Capacity	SEER	EER	Coil or Air Handler	Furnace	AHRI Reference
XC14-030-230A	TXV	27,400	15.00	12.50	CX34-30A	EL180UH045E36A	7513579
XC14-030-230A	TXV	27,400	15.00	12.50	CX34-30A	EL180UH045XE36A	7513580
XC14-030-230A	TXV	27,400	15.00	12.50	CX34-30A	SL280UH070V36A	7513577
XC14-030-230A	TXV	27,400	15.00	12.50	CX34-30A	SL280UH070XV36A	7513578
XC14-030-230A	TXV	27,400	15.10	12.50	CX34-30B	EL180UH070E36B	7513581
XC14-030-230A	TXV	27,400	15.10	12.50	CX34-30B	EL180UH070XE36B	7513582
XC14-030-230A	TXV	27,200	15.10	12.50	CX34-30B	EL180UH090E48B	7513584
XC14-030-230A	TXV	27,200	15.10	12.50	CX34-30B	EL180UH090XE48B	7513585
XC14-030-230A	TXV	27,200	14.50	12.50	CX34-30B	EL195UH045XE36B	7513586
XC14-030-230A	TXV	27,400	14.50	12.50	CX34-30B	EL195UH070XE36B	7513571
XC14-030-230A	TXV	27,200	14.50	12.50	CX34-30B	EL296UH045XE36B	7513587
XC14-030-230A	TXV	27,200	14.50	12.50	CX34-30B	EL296UH045XV36B	7513588
XC14-030-230A	TXV	27,400	14.50	12.50	CX34-30B	EL296UH070XE36B	7513572
XC14-030-230A	TXV	27,400	15.00	12.50	CX34-30B	EL296UH070XV36B	7513573
XC14-030-230A	TXV	27,600	15.10	12.50	CX34-30B	SL280UH090V36B	7513575
XC14-030-230A	TXV	27,400	15.00	12.50	CX34-30B	SLP98UH070XV36B	7513574
XC14-030-230A	TXV	27,400	15.10	12.50	CX34-30C	SLP98UH090XV36C	7513464
XC14-030-230A	TXV	28,000	15.50	12.50	CX34-31A	EL180UH045E36A	7513566
XC14-030-230A	TXV	28,000	15.50	12.50	CX34-31A	EL180UH045XE36A	7513567
XC14-030-230A	TXV	28,000	16.00	13.00	CX34-31A	SL280UH070V36A	7513576
XC14-030-230A	TXV	28,000	16.00	13.00	CX34-31A	SL280UH070XV36A	7513565
XC14-030-230A	TXV	28,000	14.25	12.20	CX34-31A		7513402
XC14-030-230A	TXV	28,000	16.00	13.00	CX34-31B	EL180UH070E36B	7513569
XC14-030-230A	TXV	28,000	16.00	13.00	CX34-31B	EL180UH070XE36B	7513570
XC14-030-230A	TXV	28,000	16.00	13.00	CX34-31B	EL180UH090E48B	7513559
XC14-030-230A	TXV	28,000	16.00	13.00	CX34-31B	EL180UH090XE48B	7513560
XC14-030-230A	TXV	28,000	15.50	12.50	CX34-31B	EL195UH045XE36B	7513561
XC14-030-230A	TXV	28,000	15.10	12.50	CX34-31B	EL195UH070XE36B	7513563
XC14-030-230A	TXV	28,000	15.50	12.50	CX34-31B	EL296UH045XE36B	7513562
XC14-030-230A	TXV	28,000	15.50	12.50	CX34-31B	EL296UH045XV36B	7513553
XC14-030-230A	TXV	28,000	15.10	12.50	CX34-31B	EL296UH070XE36B	7513564
XC14-030-230A	TXV	28,000	16.00	13.00	CX34-31B	EL296UH070XV36B	7513554
XC14-030-230A	TXV	28,000	16.00	13.00	CX34-31B	SL280UH090V36B	7513568
XC14-030-230A	TXV	28,000	16.00	13.00	CX34-31B	SLP98UH070XV36B	8083367
XC14-030-230A	TXV	28,000	14.25	12.20	CX34-31B		7513403
XC14-030-230A	TXV	28,000	15.10	12.50	CX34-36A	EL180UH045E36A	7513558
XC14-030-230A	TXV	28,000	15.10	12.50	CX34-36A	EL180UH045XE36A	7513547
XC14-030-230A	TXV	28,000	15.50	12.50	CX34-36A	SL280UH070V36A	7513556
XC14-030-230A	TXV	28,000	15.50	12.50	CX34-36A	SL280UH070XV36A	7513557
XC14-030-230A	TXV	28,000	15.50	12.50	CX34-36B	EL180UH070E36B	7513550
XC14-030-230A	TXV	28,000	15.50	12.50	CX34-36B	EL180UH070XE36B	7513551
XC14-030-230A	TXV	28,000	15.50	12.50	CX34-36B	EL180UH090E48B	7513552
XC14-030-230A	TXV	28,000	15.50	12.50	CX34-36B	EL180UH090XE48B	7513541
XC14-030-230A	TXV	28,000	15.10	12.50	CX34-36B	EL195UH045XE36B	7513542
XC14-030-230A	TXV	28,000	15.10	12.50	CX34-36B	EL195UH070XE36B	7513544
XC14-030-230A	TXV	28,000	15.10	12.50	CX34-36B	EL296UH045XE36B	7513543
XC14-030-230A	TXV	27,800	15.10	12.50	CX34-36B	EL296UH045XV36B	7513548
XC14-030-230A	TXV	28,000	15.10	12.50	CX34-36B	EL296UH070XE36B	7513545
XC14-030-230A	TXV	28,000	15.50	12.50	CX34-36B	EL296UH070XV36B	7513546

NOTES:

TXV = Matched with Thermostatic Expansion Valve.

RFC = Matched with RFC metering device.

AHRI certified to AHRI Standard 210/240 (with 25 ft. of connecting refrigerant lines); 95°F outdoor air temperature, 80°F db / 67°F wb entering evaporator air. All ratings include the use of a blower time delay relay (TDR). All Lennox variable-speed furnaces and Air Handlers have time delay capabilities. Other Furnaces and Air Handlers may require an optional time delay relay (**58M81**) for field installation. See furnace or air handler specifications to determine if relay is needed.

Also see Expansion Valve Kit Usage Table.

AHRI SYSTEM MATCHES - ALL REGIONS - 018-024-030-041-042-047-048-060

NOTE - For the latest up-to-date system matches please visit the AHRI web site at <http://www.ahridirectory.org>

Model No.	Expansion Device	Capacity	SEER	EER	Coil or Air Handler	Furnace	AHRI Reference
XC14-030-230A	TXV	28,000	15.50	12.50	CX34-36B	SL280UH090V36B	7513549
XC14-030-230A	TXV	28,000	15.50	12.50	CX34-36B	SLP98UH070XV36B	7513535
XC14-030-230A	TXV	28,000	15.10	12.50	CX34-36C	EL195UH090XE48C	7513536
XC14-030-230A	TXV	28,000	15.10	12.50	CX34-36C	EL296UH090XE48C	7513537
XC14-030-230A	TXV	28,000	15.50	12.50	CX34-36C	EL296UH090XV36C	7513538
XC14-030-230A	TXV	28,000	15.50	12.50	CX34-36C	SLP98UH090XV36C	7513539
XC14-030-230A	TXV	28,000	16.00	13.00	CX34-38A	EL180UH045E36A	7513530
XC14-030-230A	TXV	28,000	16.00	13.00	CX34-38A	EL180UH045XE36A	7513531
XC14-030-230A	TXV	28,000	16.00	13.00	CX34-38A	SL280UH070V36A	7513540
XC14-030-230A	TXV	28,000	16.00	13.00	CX34-38A	SL280UH070XV36A	7513529
XC14-030-230A	TXV	28,000	14.50	12.20	CX34-38A		7513394
XC14-030-230A	TXV	28,000	16.00	13.00	CX34-38B	EL180UH070E36B	7513533
XC14-030-230A	TXV	28,000	16.00	13.00	CX34-38B	EL180UH070XE36B	7513534
XC14-030-230A	TXV	28,000	16.00	13.00	CX34-38B	EL180UH090E48B	7513523
XC14-030-230A	TXV	28,000	16.00	13.00	CX34-38B	EL180UH090XE48B	7513524
XC14-030-230A	TXV	28,000	15.50	12.50	CX34-38B	EL195UH045XE36B	7513525
XC14-030-230A	TXV	28,000	15.50	12.50	CX34-38B	EL195UH070XE36B	7513527
XC14-030-230A	TXV	28,000	15.50	12.50	CX34-38B	EL296UH045XE36B	7513526
XC14-030-230A	TXV	28,000	15.50	12.50	CX34-38B	EL296UH045XV36B	7513517
XC14-030-230A	TXV	28,000	15.50	12.50	CX34-38B	EL296UH070XE36B	7513528
XC14-030-230A	TXV	28,000	16.00	13.00	CX34-38B	EL296UH070XV36B	7513518
XC14-030-230A	TXV	28,000	16.00	13.00	CX34-38B	SL280UH090V36B	7513532
XC14-030-230A	TXV	28,000	16.00	13.00	CX34-38B	SLP98UH070XV36B	7513519
XC14-030-230A	TXV	28,000	14.50	12.20	CX34-38B		7513395
XC14-030-230A	TXV	28,000	16.00	13.00	CX34-42	EL180UH070E36B	7513466
XC14-030-230A	TXV	28,000	16.00	13.00	CX34-42	EL180UH070XE36B	7513467
XC14-030-230A	TXV	28,000	16.00	13.00	CX34-42	EL180UH090E48B	7513468
XC14-030-230A	TXV	28,000	16.00	13.00	CX34-42	EL180UH090XE48B	7513457
XC14-030-230A	TXV	28,000	15.50	12.50	CX34-42	EL195UH045XE36B	7513458
XC14-030-230A	TXV	28,000	15.50	12.50	CX34-42	EL195UH070XE36B	7513460
XC14-030-230A	TXV	28,000	15.50	12.50	CX34-42	EL296UH045XE36B	7513459
XC14-030-230A	TXV	28,000	15.50	12.50	CX34-42	EL296UH045XV36B	7513462
XC14-030-230A	TXV	28,000	15.50	12.50	CX34-42	EL296UH070XE36B	7513461
XC14-030-230A	TXV	28,000	16.00	13.00	CX34-42	EL296UH070XV36B	7513451
XC14-030-230A	TXV	28,000	15.50	12.50	CX34-42	SL280UH090V36B	7513465
XC14-030-230A	TXV	28,000	16.00	13.00	CX34-42	SLP98UH070XV36B	7513452
XC14-030-230A	TXV	28,000	16.00	13.00	CX34-43B	EL180UH070E36B	7513521
XC14-030-230A	TXV	28,000	16.00	13.00	CX34-43B	EL180UH070XE36B	7513522
XC14-030-230A	TXV	28,000	16.00	13.00	CX34-43B	EL180UH090E48B	7513511
XC14-030-230A	TXV	28,000	16.00	13.00	CX34-43B	EL180UH090XE48B	7513512
XC14-030-230A	TXV	28,000	15.50	12.50	CX34-43B	EL195UH045XE36B	7513513
XC14-030-230A	TXV	28,000	15.50	12.50	CX34-43B	EL195UH070XE36B	7513515
XC14-030-230A	TXV	28,000	15.50	12.50	CX34-43B	EL296UH045XE36B	7513514
XC14-030-230A	TXV	28,000	15.50	12.50	CX34-43B	EL296UH045XV36B	7513505
XC14-030-230A	TXV	28,000	15.50	12.50	CX34-43B	EL296UH070XE36B	7513516
XC14-030-230A	TXV	28,000	16.00	13.00	CX34-43B	EL296UH070XV36B	7513506
XC14-030-230A	TXV	28,000	16.00	13.00	CX34-43B	SL280UH090V36B	7513520
XC14-030-230A	TXV	28,000	16.00	13.00	CX34-43B	SLP98UH070XV36B	7513507
XC14-030-230A	TXV	28,000	14.50	12.20	CX34-43B		7513396

NOTES:

TXV = Matched with Thermostatic Expansion Valve.

RFC = Matched with RFC metering device.

AHRI certified to AHRI Standard 210/240 (with 25 ft. of connecting refrigerant lines); 95°F outdoor air temperature, 80°F db / 67°F wb entering evaporator air.

All ratings include the use of a blower time delay relay (TDR). All Lennox variable-speed furnaces and Air Handlers have time delay capabilities. Other Furnaces and Air Handlers may require an optional time delay relay (**58M81**) for field installation. See furnace or air handler specifications to determine if relay is needed.

Also see Expansion Valve Kit Usage Table.

AHRI SYSTEM MATCHES - ALL REGIONS - 018-024-030-041-042-047-048-060

NOTE - For the latest up-to-date system matches please visit the AHRI web site at <http://www.ahridirectory.org>

Model No.	Expansion Device	Capacity	SEER	EER	Coil or Air Handler	Furnace	AHRI Reference
XC14-030-230A	TXV	28,000	16.00	13.00	CX34-43C	EL195UH090XE48C	7513508
XC14-030-230A	TXV	28,000	16.00	13.00	CX34-43C	EL296UH090XE48C	7513509
XC14-030-230A	TXV	28,000	16.00	13.00	CX34-43C	EL296UH090XV36C	7513510
XC14-030-230A	TXV	28,000	16.00	13.00	CX34-43C	EL296UH090XV48C	7513453
XC14-030-230A	TXV	28,000	16.00	13.00	CX34-43C	SLP98UH090XV36C	7513499
XC14-030-230A	TXV	28,000	16.00	13.00	CX34-43C	SLP98UH090XV48C	7513454
XC14-030-230A	TXV	28,000	14.50	12.20	CX34-43C		7513397
XC14-030-230A	TXV	28,000	15.10	12.50	CX35-24A	EL180UH045E36A	8265505
XC14-030-230A	TXV	28,000	15.10	12.50	CX35-24A	EL180UH045XE36A	8265507
XC14-030-230A	TXV	28,000	15.50	12.50	CX35-24A	SL280UH070V36A	8265502
XC14-030-230A	TXV	28,000	15.50	12.50	CX35-24A	SL280UH070XV36A	8265503
XC14-030-230A	TXV	28,000	15.50	12.50	CX35-24B	EL180UH070E36B	8265517
XC14-030-230A	TXV	28,000	15.50	12.50	CX35-24B	EL180UH070XE36B	8265508
XC14-030-230A	TXV	27,800	15.50	12.50	CX35-24B	EL180UH090E48B	8265512
XC14-030-230A	TXV	27,800	15.50	12.50	CX35-24B	EL180UH090XE48B	8265513
XC14-030-230A	TXV	28,000	15.10	12.50	CX35-24B	EL195UH045XE36B	8265518
XC14-030-230A	TXV	28,000	15.00	12.50	CX35-24B	EL195UH070XE36B	8265522
XC14-030-230A	TXV	28,000	15.10	12.50	CX35-24B	EL296UH045XE36B	8265520
XC14-030-230A	TXV	28,000	15.10	12.50	CX35-24B	EL296UH045XV36B	8265525
XC14-030-230A	TXV	28,000	15.00	12.50	CX35-24B	EL296UH070XE36B	8265523
XC14-030-230A	TXV	28,000	15.10	12.50	CX35-24B	EL296UH070XV36B	8265510
XC14-030-230A	TXV	28,000	15.50	12.50	CX35-24B	SL280UH090V36B	8265515
XC14-030-230A	TXV	28,000	15.10	12.50	CX35-24B	SLP98UH070XV36B	8265527
XC14-030-230A	TXV	28,000	15.10	12.50	CX35-30/36A	EL180UH045E36A	8265531
XC14-030-230A	TXV	28,000	15.10	12.50	CX35-30/36A	EL180UH045XE36A	8265536
XC14-030-230A	TXV	28,000	15.50	12.50	CX35-30/36A	SL280UH070V36A	8265533
XC14-030-230A	TXV	28,000	15.50	12.50	CX35-30/36A	SL280UH070XV36A	8265534
XC14-030-230A	TXV	28,000	15.50	12.50	CX35-30/36B	EL180UH070E36B	8265548
XC14-030-230A	TXV	28,000	15.50	12.50	CX35-30/36B	EL180UH070XE36B	8265538
XC14-030-230A	TXV	28,000	15.50	12.50	CX35-30/36B	EL180UH090E48B	8265539
XC14-030-230A	TXV	28,000	15.50	12.50	CX35-30/36B	EL180UH090XE48B	8265550
XC14-030-230A	TXV	28,000	15.10	12.50	CX35-30/36B	EL195UH045XE36B	8265551
XC14-030-230A	TXV	28,000	15.10	12.50	CX35-30/36B	EL195UH070XE36B	8265554
XC14-030-230A	TXV	28,000	15.10	12.50	CX35-30/36B	EL296UH045XE36B	8265553
XC14-030-230A	TXV	27,800	15.10	12.50	CX35-30/36B	EL296UH045XV36B	8265544
XC14-030-230A	TXV	28,000	15.10	12.50	CX35-30/36B	EL296UH070XE36B	8265541
XC14-030-230A	TXV	28,000	15.50	12.50	CX35-30/36B	EL296UH070XV36B	8265543
XC14-030-230A	TXV	28,000	15.50	12.50	CX35-30/36B	SL280UH090V36B	8265546
XC14-030-230A	TXV	28,000	15.50	12.50	CX35-30/36B	SLP98UH070XV36B	8265556
XC14-030-230A	TXV	28,000	15.10	12.50	CX35-30/36C	EL195UH090XE48C	8265559
XC14-030-230A	TXV	28,000	15.10	12.50	CX35-30/36C	EL296UH090XE48C	8265561
XC14-030-230A	TXV	28,000	15.50	12.50	CX35-30/36C	EL296UH090XV36C	8265562
XC14-030-230A	TXV	28,000	15.50	12.50	CX35-30/36C	SLP98UH090XV36C	8265558
XC14-030-230A	TXV	28,000	15.50	12.50	CX35-30A	EL180UH045E36A	8265768
XC14-030-230A	TXV	28,000	15.50	12.50	CX35-30A	EL180UH045XE36A	8265769
XC14-030-230A	TXV	28,000	16.00	13.00	CX35-30A	SL280UH070V36A	8265766
XC14-030-230A	TXV	28,000	16.00	13.00	CX35-30A	SL280UH070XV36A	8265767
XC14-030-230A	TXV	28,000	14.25	12.20	CX35-30A		8265765
XC14-030-230A	TXV	28,000	16.00	13.00	CX35-30B	EL180UH070E36B	8265775

NOTES:

TXV = Matched with Thermostatic Expansion Valve.

RFC = Matched with RFC metering device.

AHRI certified to AHRI Standard 210/240 (with 25 ft. of connecting refrigerant lines); 95°F outdoor air temperature, 80°F db / 67°F wb entering evaporator air. All ratings include the use of a blower time delay relay (TDR). All Lennox variable-speed furnaces and Air Handlers have time delay capabilities. Other Furnaces and Air Handlers may require an optional time delay relay (**58M81**) for field installation. See furnace or air handler specifications to determine if relay is needed.

Also see Expansion Valve Kit Usage Table.

AHRI SYSTEM MATCHES - ALL REGIONS - 018-024-030-041-042-047-048-060

NOTE - For the latest up-to-date system matches please visit the AHRI web site at <http://www.ahridirectory.org>

Model No.	Expansion Device	Capacity	SEER	EER	Coil or Air Handler	Furnace	AHRI Reference
XC14-030-230A	TXV	28,000	16.00	13.00	CX35-30B	EL180UH070XE36B	8265772
XC14-030-230A	TXV	28,000	16.00	13.00	CX35-30B	EL180UH090E48B	8265776
XC14-030-230A	TXV	28,000	16.00	13.00	CX35-30B	EL180UH090XE48B	8265777
XC14-030-230A	TXV	28,000	15.50	12.50	CX35-30B	EL195UH045XE36B	8265778
XC14-030-230A	TXV	28,000	15.10	12.50	CX35-30B	EL195UH070XE36B	8265780
XC14-030-230A	TXV	28,000	15.50	12.50	CX35-30B	EL296UH045XE36B	8265779
XC14-030-230A	TXV	28,000	15.50	12.50	CX35-30B	EL296UH045XV36B	8265781
XC14-030-230A	TXV	28,000	15.10	12.50	CX35-30B	EL296UH070XE36B	8265773
XC14-030-230A	TXV	28,000	16.00	13.00	CX35-30B	EL296UH070XV36B	8265782
XC14-030-230A	TXV	28,000	16.00	13.00	CX35-30B	SL280UH090V36B	8265774
XC14-030-230A	TXV	28,000	16.00	13.00	CX35-30B	SLP98UH070XV36B	8265771
XC14-030-230A	TXV	28,000	14.25	12.20	CX35-30B		8265770
XC14-030-230A	TXV	28,000	16.00	13.00	CX35-36A	EL180UH045E36A	8265569
XC14-030-230A	TXV	28,000	16.00	13.00	CX35-36A	EL180UH045XE36A	8265571
XC14-030-230A	TXV	28,000	16.00	13.00	CX35-36A	SL280UH070V36A	8265566
XC14-030-230A	TXV	28,000	16.00	13.00	CX35-36A	SL280UH070XV36A	8265567
XC14-030-230A	TXV	28,000	14.50	12.20	CX35-36A		8265564
XC14-030-230A	TXV	28,000	16.00	13.00	CX35-36B	EL180UH070E36B	8265574
XC14-030-230A	TXV	28,000	16.00	13.00	CX35-36B	EL180UH070XE36B	8265576
XC14-030-230A	TXV	28,000	16.00	13.00	CX35-36B	EL180UH090E48B	8265582
XC14-030-230A	TXV	28,000	16.00	13.00	CX35-36B	EL180UH090XE48B	8265584
XC14-030-230A	TXV	28,000	15.50	12.50	CX35-36B	EL195UH045XE36B	8265586
XC14-030-230A	TXV	28,000	15.50	12.50	CX35-36B	EL195UH070XE36B	8265578
XC14-030-230A	TXV	28,000	15.50	12.50	CX35-36B	EL296UH045XE36B	8265587
XC14-030-230A	TXV	28,000	15.50	12.50	CX35-36B	EL296UH045XV36B	8265589
XC14-030-230A	TXV	28,000	15.50	12.50	CX35-36B	EL296UH070XE36B	8265579
XC14-030-230A	TXV	28,000	16.00	13.00	CX35-36B	EL296UH070XV36B	8265591
XC14-030-230A	TXV	28,000	16.00	13.00	CX35-36B	SL280UH090V36B	8265581
XC14-030-230A	TXV	28,000	16.00	13.00	CX35-36B	SLP98UH070XV36B	8265592
XC14-030-230A	TXV	28,000	14.50	12.20	CX35-36B		8265572
XC14-030-230A	TXV	28,000	16.00	13.00	CX35-48B	EL180UH070E36B	8265596
XC14-030-230A	TXV	28,000	16.00	13.00	CX35-48B	EL180UH070XE36B	8265597
XC14-030-230A	TXV	28,000	16.00	13.00	CX35-48B	EL180UH090E48B	8265603
XC14-030-230A	TXV	28,000	16.00	13.00	CX35-48B	EL180UH090XE48B	8265605
XC14-030-230A	TXV	28,000	15.50	12.50	CX35-48B	EL195UH045XE36B	8265607
XC14-030-230A	TXV	28,000	15.50	12.50	CX35-48B	EL195UH070XE36B	8265598
XC14-030-230A	TXV	28,000	15.50	12.50	CX35-48B	EL296UH045XE36B	8265608
XC14-030-230A	TXV	28,000	15.50	12.50	CX35-48B	EL296UH045XV36B	8265610
XC14-030-230A	TXV	28,000	15.50	12.50	CX35-48B	EL296UH070XE36B	8265600
XC14-030-230A	TXV	28,000	16.00	13.00	CX35-48B	EL296UH070XV36B	8265612
XC14-030-230A	TXV	28,000	16.00	13.00	CX35-48B	SL280UH090V36B	8265602
XC14-030-230A	TXV	28,000	16.00	13.00	CX35-48B	SLP98UH070XV36B	8265613
XC14-030-230A	TXV	28,000	14.50	12.20	CX35-48B		8265594
XC14-030-230A	TXV	28,000	16.00	13.00	CX35-48C	EL195UH090XE48C	8265620
XC14-030-230A	TXV	28,000	16.00	13.00	CX35-48C	EL296UH090XE48C	8265617
XC14-030-230A	TXV	28,000	16.00	13.00	CX35-48C	EL296UH090XV36C	8265618
XC14-030-230A	TXV	28,000	16.00	13.00	CX35-48C	EL296UH090XV48C	8265624
XC14-030-230A	TXV	28,000	16.00	13.00	CX35-48C	SLP98UH090XV36C	8265622
XC14-030-230A	TXV	28,000	16.00	13.00	CX35-48C	SLP98UH090XV48C	8265625

NOTES:

TXV = Matched with Thermostatic Expansion Valve.

RFC = Matched with RFC metering device.

AHRI certified to AHRI Standard 210/240 (with 25 ft. of connecting refrigerant lines); 95°F outdoor air temperature, 80°F db / 67°F wb entering evaporator air.

All ratings include the use of a blower time delay relay (TDR). All Lennox variable-speed furnaces and Air Handlers have time delay capabilities. Other Furnaces and Air Handlers may require an optional time delay relay (**58M81**) for field installation. See furnace or air handler specifications to determine if relay is needed.

Also see Expansion Valve Kit Usage Table.

AHRI SYSTEM MATCHES - ALL REGIONS - 018-024-030-041-042-047-048-060

NOTE - For the latest up-to-date system matches please visit the AHRI web site at <http://www.ahridirectory.org>

Model No.	Expansion Device	Capacity	SEER	EER	Coil or Air Handler	Furnace	AHRI Reference
XC14-030-230A	TXV	28,000	14.50	12.20	CX35-48C		8265615
XC14-036-230A	RFC	34,000	14.25	12.20	C33-43		7514490
XC14-036-230A	RFC	34,400	14.25	12.20	C33-49		7514480
XC14-036-230A	RFC	34,000	14.25	12.20	C33-50/60C		7514525
XC14-036-230A	RFC	34,400	14.00	12.20	C35-49C		8471064
XC14-036-230A	RFC	34,000	14.00	12.20	C35-50/60C		8471066
XC14-036-230A	RFC	33,800	14.00	12.20	CH33-31B		7514517
XC14-036-230A	RFC	34,600	14.50	12.20	CH33-43B		7514509
XC14-036-230A	RFC	34,000	14.25	12.20	CH33-44/48B		7514511
XC14-036-230A	RFC	34,000	14.25	12.20	CH33-48		7514482
XC14-036-230A	RFC	34,600	14.50	12.20	CH33-49		7514483
XC14-036-230A	RFC	34,400	14.25	12.20	CH33-50/60C		7514514
XC14-036-230A	TXV	34,200	15.10	12.50	C33-31A	EL180UH045E36A	7514535
XC14-036-230A	TXV	34,200	15.10	12.50	C33-31A	EL180UH045XE36A	7514536
XC14-036-230A	TXV	34,400	15.10	12.50	C33-31A	SL280UH070V36A	7514533
XC14-036-230A	TXV	34,400	15.10	12.50	C33-31A	SL280UH070XV36A	7514534
XC14-036-230A	TXV	34,400	15.00	12.50	C33-31B	EL180UH070E36B	7515294
XC14-036-230A	TXV	34,400	15.00	12.50	C33-31B	EL180UH070XE36B	7515295
XC14-036-230A	TXV	34,400	15.50	12.50	C33-31B	EL180UH090E48B	7515296
XC14-036-230A	TXV	34,400	15.50	12.50	C33-31B	EL180UH090XE48B	7515297
XC14-036-230A	TXV	34,000	14.50	12.20	C33-31B	EL195UH045XE36B	7515298
XC14-036-230A	TXV	34,000	15.10	12.50	C33-31B	EL195UH070XE36B	7515288
XC14-036-230A	TXV	34,000	14.50	12.20	C33-31B	EL296UH045XE36B	7515287
XC14-036-230A	TXV	34,200	15.10	12.50	C33-31B	EL296UH045XV36B	7515290
XC14-036-230A	TXV	34,000	15.10	12.50	C33-31B	EL296UH070XE36B	7515289
XC14-036-230A	TXV	34,200	15.10	12.50	C33-31B	EL296UH070XV36B	7515291
XC14-036-230A	TXV	34,400	15.50	12.50	C33-31B	SL280UH090V36B	7514537
XC14-036-230A	TXV	34,400	15.50	12.50	C33-31B	SL280UH090V48B	7514538
XC14-036-230A	TXV	34,400	15.50	12.50	C33-31B	SL280UH090XV48B	7515293
XC14-036-230A	TXV	34,200	15.10	12.50	C33-31B	SLP98UH070XV36B	7515292
XC14-036-230A	TXV	33,200	14.50	12.20	C33-36A	EL180UH045E36A	7515283
XC14-036-230A	TXV	33,200	14.50	12.20	C33-36A	EL180UH045XE36A	7515284
XC14-036-230A	TXV	33,400	15.00	12.20	C33-36A	SL280UH070V36A	7515281
XC14-036-230A	TXV	33,400	15.00	12.20	C33-36A	SL280UH070XV36A	7515282
XC14-036-230A	TXV	34,600	15.50	12.50	C33-36B	CBWMV-36B-070	8581797
XC14-036-230A	TXV	33,400	15.50	12.50	C33-36B	EL180UH070E36B	7515276
XC14-036-230A	TXV	33,400	15.50	12.50	C33-36B	EL180UH070XE36B	7515277
XC14-036-230A	TXV	33,400	15.10	12.50	C33-36B	EL180UH090E48B	7515278
XC14-036-230A	TXV	33,400	15.10	12.50	C33-36B	EL180UH090XE48B	7515279
XC14-036-230A	TXV	33,000	15.00	12.50	C33-36B	EL195UH045XE36B	7515280
XC14-036-230A	TXV	33,000	15.00	12.50	C33-36B	EL296UH045XE36B	7515269
XC14-036-230A	TXV	33,400	15.00	12.50	C33-36B	EL296UH045XV36B	7515272
XC14-036-230A	TXV	33,400	15.00	12.50	C33-36B	EL296UH070XV36B	7515273
XC14-036-230A	TXV	33,600	15.50	12.50	C33-36B	SL280UH090V36B	7515285
XC14-036-230A	TXV	33,600	15.50	12.50	C33-36B	SL280UH090V48B	7515286
XC14-036-230A	TXV	33,600	15.50	12.50	C33-36B	SL280UH090XV48B	7515275
XC14-036-230A	TXV	33,400	15.00	12.50	C33-36B	SLP98UH070XV36B	7515274
XC14-036-230A	TXV	33,600	15.10	12.50	C33-36C	EL180UH090E60C	7515263
XC14-036-230A	TXV	33,400	15.50	12.50	C33-36C	EL180UH110E60C	7515264

NOTES:

TXV = Matched with Thermostatic Expansion Valve.

RFC = Matched with RFC metering device.

AHRI certified to AHRI Standard 210/240 (with 25 ft. of connecting refrigerant lines); 95°F outdoor air temperature, 80°F db / 67°F wb entering evaporator air. All ratings include the use of a blower time delay relay (TDR). All Lennox variable-speed furnaces and Air Handlers have time delay capabilities. Other Furnaces and Air Handlers may require an optional time delay relay (**58M81**) for field installation. See furnace or air handler specifications to determine if relay is needed.

Also see Expansion Valve Kit Usage Table.

AHRI SYSTEM MATCHES - ALL REGIONS - 018-024-030-041-042-047-048-060

NOTE - For the latest up-to-date system matches please visit the AHRI web site at <http://www.ahridirectory.org>

Model No.	Expansion Device	Capacity	SEER	EER	Coil or Air Handler	Furnace	AHRI Reference
XC14-036-230A	TXV	33,400	15.50	12.50	C33-36C	EL180UH110XE60C	7515265
XC14-036-230A	TXV	33,200	15.10	12.50	C33-36C	EL195UH090XE48C	7515266
XC14-036-230A	TXV	33,600	15.10	12.50	C33-36C	EL195UH110XE60C	7515268
XC14-036-230A	TXV	33,200	15.10	12.50	C33-36C	EL296UH090XE48C	7515267
XC14-036-230A	TXV	33,600	15.50	12.50	C33-36C	EL296UH090XV36C	7515258
XC14-036-230A	TXV	33,400	15.50	12.50	C33-36C	EL296UH090XV48C	7515260
XC14-036-230A	TXV	33,600	15.10	12.50	C33-36C	EL296UH110XE60C	7515257
XC14-036-230A	TXV	33,600	15.50	12.50	C33-36C	EL296UH110XV48C	7515262
XC14-036-230A	TXV	33,600	15.50	12.50	C33-36C	SLP98UH090XV36C	7515259
XC14-036-230A	TXV	33,400	15.50	12.50	C33-36C	SLP98UH090XV48C	7515261
XC14-036-230A	TXV	33,800	15.50	12.50	C33-36C	SLP98UH110XV60C	7514665
XC14-036-230A	TXV	34,400	15.10	12.50	C33-38A	EL180UH045E36A	7515253
XC14-036-230A	TXV	34,400	15.10	12.50	C33-38A	EL180UH045XE36A	7515254
XC14-036-230A	TXV	34,600	15.50	12.50	C33-38A	SL280UH070V36A	7515251
XC14-036-230A	TXV	34,600	15.50	12.50	C33-38A	SL280UH070XV36A	7515252
XC14-036-230A	TXV	34,200	14.25	12.20	C33-38A		7514530
XC14-036-230A	TXV	34,600	16.00	13.00	C33-38B	EL180UH070E36B	7515246
XC14-036-230A	TXV	34,600	16.00	13.00	C33-38B	EL180UH070XE36B	7515247
XC14-036-230A	TXV	34,600	16.00	13.00	C33-38B	EL180UH090E48B	7515248
XC14-036-230A	TXV	34,600	16.00	13.00	C33-38B	EL180UH090XE48B	7515249
XC14-036-230A	TXV	34,400	15.00	12.50	C33-38B	EL195UH045XE36B	7515250
XC14-036-230A	TXV	34,400	15.00	12.50	C33-38B	EL195UH070XE36B	7515240
XC14-036-230A	TXV	34,400	15.00	12.50	C33-38B	EL296UH045XE36B	7515239
XC14-036-230A	TXV	34,600	15.50	12.50	C33-38B	EL296UH045XV36B	7515242
XC14-036-230A	TXV	34,400	15.00	12.50	C33-38B	EL296UH070XE36B	7515241
XC14-036-230A	TXV	34,600	15.50	12.50	C33-38B	EL296UH070XV36B	7515243
XC14-036-230A	TXV	34,800	16.00	13.00	C33-38B	SL280UH090V36B	7515255
XC14-036-230A	TXV	34,800	16.00	13.00	C33-38B	SL280UH090V48B	7515256
XC14-036-230A	TXV	34,800	16.00	13.00	C33-38B	SL280UH090XV48B	7515245
XC14-036-230A	TXV	34,600	15.50	12.50	C33-38B	SLP98UH070XV36B	7515244
XC14-036-230A	TXV	34,200	14.25	12.20	C33-38B		7514532
XC14-036-230A	TXV	33,400	15.50	12.50	C33-42	EL180UH070E36B	7514657
XC14-036-230A	TXV	33,400	15.50	12.50	C33-42	EL180UH070XE36B	7514658
XC14-036-230A	TXV	33,400	15.10	12.50	C33-42	EL180UH090E48B	7514659
XC14-036-230A	TXV	33,400	15.10	12.50	C33-42	EL180UH090XE48B	7514660
XC14-036-230A	TXV	33,000	15.00	12.50	C33-42	EL195UH045XE36B	7514661
XC14-036-230A	TXV	33,000	15.00	12.50	C33-42	EL296UH045XE36B	7514662
XC14-036-230A	TXV	33,400	15.00	12.50	C33-42	EL296UH045XV36B	7514653
XC14-036-230A	TXV	33,400	15.00	12.50	C33-42	EL296UH070XV36B	7514654
XC14-036-230A	TXV	33,600	15.50	12.50	C33-42	SL280UH090V36B	7514666
XC14-036-230A	TXV	33,600	15.50	12.50	C33-42	SL280UH090V48B	7514667
XC14-036-230A	TXV	33,600	15.50	12.50	C33-42	SL280UH090XV48B	7514668
XC14-036-230A	TXV	33,400	15.00	12.50	C33-42	SLP98UH070XV36B	7514655
XC14-036-230A	TXV	34,800	16.00	13.00	C33-43B	EL180UH070E36B	7515236
XC14-036-230A	TXV	34,800	16.00	13.00	C33-43B	EL180UH070XE36B	7515237
XC14-036-230A	TXV	34,800	16.00	13.00	C33-43B	EL180UH090E48B	7515238
XC14-036-230A	TXV	34,800	16.00	13.00	C33-43B	EL180UH090XE48B	7515227
XC14-036-230A	TXV	34,400	15.00	12.50	C33-43B	EL195UH045XE36B	7515228
XC14-036-230A	TXV	34,600	15.10	12.50	C33-43B	EL195UH070XE36B	7515230

NOTES:

TXV = Matched with Thermostatic Expansion Valve.

RFC = Matched with RFC metering device.

AHRI certified to AHRI Standard 210/240 (with 25 ft. of connecting refrigerant lines); 95°F outdoor air temperature, 80°F db / 67°F wb entering evaporator air.

All ratings include the use of a blower time delay relay (TDR). All Lennox variable-speed furnaces and Air Handlers have time delay capabilities. Other Furnaces and Air Handlers may require an optional time delay relay (**58M81**) for field installation. See furnace or air handler specifications to determine if relay is needed.

Also see Expansion Valve Kit Usage Table.

AHRI SYSTEM MATCHES - ALL REGIONS - 018-024-030-041-042-047-048-060

NOTE - For the latest up-to-date system matches please visit the AHRI web site at <http://www.ahridirectory.org>

Model No.	Expansion Device	Capacity	SEER	EER	Coil or Air Handler	Furnace	AHRI Reference
XC14-036-230A	TXV	34,400	15.00	12.50	C33-43B	EL296UH045XE36B	7515229
XC14-036-230A	TXV	34,800	15.50	12.50	C33-43B	EL296UH045XV36B	7515232
XC14-036-230A	TXV	34,600	15.10	12.50	C33-43B	EL296UH070XE36B	7515231
XC14-036-230A	TXV	34,800	15.50	12.50	C33-43B	EL296UH070XV36B	7515221
XC14-036-230A	TXV	34,800	16.00	13.00	C33-43B	SL280UH090V36B	7515233
XC14-036-230A	TXV	35,000	16.00	13.00	C33-43B	SL280UH090V48B	7515234
XC14-036-230A	TXV	35,000	16.00	13.00	C33-43B	SL280UH090XV48B	7515235
XC14-036-230A	TXV	34,800	15.50	12.50	C33-43B	SLP98UH070XV36B	7515222
XC14-036-230A	TXV	34,400	14.50	12.20	C33-43B		7514521
XC14-036-230A	TXV	34,800	16.00	13.00	C33-43C	EL180UH090E60C	7515215
XC14-036-230A	TXV	34,800	16.00	13.00	C33-43C	EL180UH110E60C	7515216
XC14-036-230A	TXV	34,800	16.00	13.00	C33-43C	EL180UH110XE60C	7515217
XC14-036-230A	TXV	34,600	15.50	12.50	C33-43C	EL195UH090XE48C	7515218
XC14-036-230A	TXV	34,800	16.00	13.00	C33-43C	EL195UH110XE60C	7515220
XC14-036-230A	TXV	34,600	15.50	12.50	C33-43C	EL296UH090XE48C	7515219
XC14-036-230A	TXV	34,800	16.00	13.00	C33-43C	EL296UH090XV36C	7515210
XC14-036-230A	TXV	34,800	16.00	13.00	C33-43C	EL296UH090XV48C	7515212
XC14-036-230A	TXV	34,800	16.00	13.00	C33-43C	EL296UH110XE60C	7515209
XC14-036-230A	TXV	35,000	16.00	13.00	C33-43C	EL296UH110XV48C	7515214
XC14-036-230A	TXV	35,200	16.00	13.00	C33-43C	EL296UH110XV60C	7515203
XC14-036-230A	TXV	35,400	16.00	13.00	C33-43C	SL280UH090V60C	7515223
XC14-036-230A	TXV	35,400	16.00	13.00	C33-43C	SL280UH090XV60C	7515224
XC14-036-230A	TXV	35,200	16.00	13.00	C33-43C	SL280UH110V60C	7515225
XC14-036-230A	TXV	35,200	16.00	13.00	C33-43C	SL280UH110XV60C	7515226
XC14-036-230A	TXV	34,800	16.00	13.00	C33-43C	SLP98UH090XV36C	7515211
XC14-036-230A	TXV	34,800	16.00	13.00	C33-43C	SLP98UH090XV48C	7515213
XC14-036-230A	TXV	35,200	16.00	13.00	C33-43C	SLP98UH110XV60C	7515204
XC14-036-230A	TXV	34,400	14.50	12.20	C33-43C		7514522
XC14-036-230A	TXV	34,200	16.00	13.00	C33-48B	EL180UH070E36B	7515208
XC14-036-230A	TXV	34,200	16.00	13.00	C33-48B	EL180UH070XE36B	7515197
XC14-036-230A	TXV	34,200	15.50	12.50	C33-48B	EL180UH090E48B	7515198
XC14-036-230A	TXV	34,200	15.50	12.50	C33-48B	EL180UH090XE48B	7515199
XC14-036-230A	TXV	33,800	15.10	12.50	C33-48B	EL195UH045XE36B	7515200
XC14-036-230A	TXV	34,200	15.00	12.50	C33-48B	EL195UH070XE36B	7515202
XC14-036-230A	TXV	33,800	15.10	12.50	C33-48B	EL296UH045XE36B	7515201
XC14-036-230A	TXV	34,200	15.10	12.50	C33-48B	EL296UH045XV36B	7515192
XC14-036-230A	TXV	34,200	15.00	12.50	C33-48B	EL296UH070XE36B	7515191
XC14-036-230A	TXV	34,200	15.10	12.50	C33-48B	EL296UH070XV36B	7515193
XC14-036-230A	TXV	34,400	16.00	13.00	C33-48B	SL280UH090V36B	7515205
XC14-036-230A	TXV	34,400	16.00	13.00	C33-48B	SL280UH090V48B	7515206
XC14-036-230A	TXV	34,400	16.00	13.00	C33-48B	SL280UH090XV48B	7515207
XC14-036-230A	TXV	34,000	15.10	12.50	C33-48B	SLP98UH070XV36B	7515194
XC14-036-230A	TXV	34,200	15.10	12.50	C33-48C	EL195UH090XE48C	7515195
XC14-036-230A	TXV	34,400	15.50	12.50	C33-48C	EL195UH110XE60C	7515185
XC14-036-230A	TXV	34,200	15.10	12.50	C33-48C	EL296UH090XE48C	7515196
XC14-036-230A	TXV	34,400	15.50	12.50	C33-48C	EL296UH090XV36C	7515187
XC14-036-230A	TXV	34,400	15.50	12.50	C33-48C	EL296UH090XV48C	7515189
XC14-036-230A	TXV	34,400	15.50	12.50	C33-48C	EL296UH110XE60C	7515186
XC14-036-230A	TXV	34,400	15.50	12.50	C33-48C	SLP98UH090XV36C	7515188

NOTES:

TXV = Matched with Thermostatic Expansion Valve.

RFC = Matched with RFC metering device.

AHRI certified to AHRI Standard 210/240 (with 25 ft. of connecting refrigerant lines); 95°F outdoor air temperature, 80°F db / 67°F wb entering evaporator air.

All ratings include the use of a blower time delay relay (TDR). All Lennox variable-speed furnaces and Air Handlers have time delay capabilities. Other Furnaces and Air Handlers may require an optional time delay relay (**58M81**) for field installation. See furnace or air handler specifications to determine if relay is needed.

Also see Expansion Valve Kit Usage Table.

AHRI SYSTEM MATCHES - ALL REGIONS - 018-024-030-041-042-047-048-060

NOTE - For the latest up-to-date system matches please visit the AHRI web site at <http://www.ahridirectory.org>

Model No.	Expansion Device	Capacity	SEER	EER	Coil or Air Handler	Furnace	AHRI Reference
XC14-036-230A	TXV	34,400	15.50	12.50	C33-48C	SLP98UH090XV48C	7515190
XC14-036-230A	TXV	35,200	16.00	13.00	C33-49	EL180UH090E60C	7514648
XC14-036-230A	TXV	35,000	16.00	13.00	C33-49	EL180UH110E60C	7514649
XC14-036-230A	TXV	35,000	16.00	13.00	C33-49	EL180UH110XE60C	7514650
XC14-036-230A	TXV	34,800	16.00	13.00	C33-49	EL195UH090XE48C	7514639
XC14-036-230A	TXV	35,200	16.00	13.00	C33-49	EL195UH110XE60C	7514641
XC14-036-230A	TXV	34,800	16.00	13.00	C33-49	EL296UH090XE48C	7514640
XC14-036-230A	TXV	35,200	16.00	13.00	C33-49	EL296UH090XV36C	7514643
XC14-036-230A	TXV	35,000	16.00	13.00	C33-49	EL296UH090XV48C	7514633
XC14-036-230A	TXV	35,200	16.00	13.00	C33-49	EL296UH110XE60C	7514642
XC14-036-230A	TXV	35,200	16.00	13.00	C33-49	EL296UH110XV48C	7514635
XC14-036-230A	TXV	35,600	16.00	13.00	C33-49	EL296UH110XV60C	7514636
XC14-036-230A	TXV	35,600	16.00	13.00	C33-49	SL280UH090V60C	7514656
XC14-036-230A	TXV	35,600	16.00	13.00	C33-49	SL280UH090XV60C	7514645
XC14-036-230A	TXV	35,400	16.00	13.00	C33-49	SL280UH110V60C	7514646
XC14-036-230A	TXV	35,400	16.00	13.00	C33-49	SL280UH110XV60C	7514647
XC14-036-230A	TXV	35,200	16.00	13.00	C33-49	SLP98UH090XV36C	7514644
XC14-036-230A	TXV	35,000	16.00	13.00	C33-49	SLP98UH090XV48C	7514634
XC14-036-230A	TXV	35,600	16.00	13.00	C33-49	SLP98UH110XV60C	7514637
XC14-036-230A	TXV	34,600	14.50	12.20	C33-49		7514481
XC14-036-230A	TXV	34,800	16.00	13.00	C33-50/60C	EL180UH090E60C	7515183
XC14-036-230A	TXV	34,800	16.00	13.00	C33-50/60C	EL180UH110E60C	7515184
XC14-036-230A	TXV	34,800	16.00	13.00	C33-50/60C	EL180UH110XE60C	7515173
XC14-036-230A	TXV	34,600	15.50	12.50	C33-50/60C	EL195UH090XE48C	7515174
XC14-036-230A	TXV	34,800	16.00	13.00	C33-50/60C	EL195UH110XE60C	7515176
XC14-036-230A	TXV	34,600	15.50	12.50	C33-50/60C	EL296UH090XE48C	7515175
XC14-036-230A	TXV	34,800	16.00	13.00	C33-50/60C	EL296UH090XV36C	7515178
XC14-036-230A	TXV	34,800	16.00	13.00	C33-50/60C	EL296UH090XV48C	7515168
XC14-036-230A	TXV	34,800	16.00	13.00	C33-50/60C	EL296UH110XE60C	7515177
XC14-036-230A	TXV	35,000	16.00	13.00	C33-50/60C	EL296UH110XV48C	7515170
XC14-036-230A	TXV	35,200	16.00	13.00	C33-50/60C	EL296UH110XV60C	7515171
XC14-036-230A	TXV	35,200	16.00	13.00	C33-50/60C	SL280UH090V60C	7515179
XC14-036-230A	TXV	35,200	16.00	13.00	C33-50/60C	SL280UH090XV60C	7515180
XC14-036-230A	TXV	35,000	16.00	13.00	C33-50/60C	SL280UH110V60C	7515181
XC14-036-230A	TXV	35,000	16.00	13.00	C33-50/60C	SL280UH110XV60C	7515182
XC14-036-230A	TXV	34,800	16.00	13.00	C33-50/60C	SLP98UH090XV36C	7515167
XC14-036-230A	TXV	34,800	16.00	13.00	C33-50/60C	SLP98UH090XV48C	7515169
XC14-036-230A	TXV	35,200	16.00	13.00	C33-50/60C	SLP98UH110XV60C	7515172
XC14-036-230A	TXV	34,200	14.50	12.20	C33-50/60C		7514526
XC14-036-230A	TXV	33,200	14.50	12.20	C35-30/36A	EL180UH045E36A	8265803
XC14-036-230A	TXV	33,200	14.50	12.20	C35-30/36A	EL180UH045XE36A	8265804
XC14-036-230A	TXV	33,400	15.00	12.20	C35-30/36A	SL280UH070V36A	8265801
XC14-036-230A	TXV	33,400	15.00	12.20	C35-30/36A	SL280UH070XV36A	8265802
XC14-036-230A	TXV	33,400	15.50	12.50	C35-30/36B	EL180UH070E36B	8265810
XC14-036-230A	TXV	33,400	15.50	12.50	C35-30/36B	EL180UH070XE36B	8265811
XC14-036-230A	TXV	33,400	15.10	12.50	C35-30/36B	EL180UH090E48B	8265812
XC14-036-230A	TXV	33,400	15.10	12.50	C35-30/36B	EL180UH090XE48B	8265813
XC14-036-230A	TXV	33,000	15.00	12.50	C35-30/36B	EL195UH045XE36B	8265814
XC14-036-230A	TXV	33,000	15.00	12.50	C35-30/36B	EL296UH045XE36B	8265805

NOTES:

TXV = Matched with Thermostatic Expansion Valve.

RFC = Matched with RFC metering device.

AHRI certified to AHRI Standard 210/240 (with 25 ft. of connecting refrigerant lines); 95°F outdoor air temperature, 80°F db / 67°F wb entering evaporator air.

All ratings include the use of a blower time delay relay (TDR). All Lennox variable-speed furnaces and Air Handlers have time delay capabilities. Other Furnaces and Air Handlers may require an optional time delay relay (**58M81**) for field installation. See furnace or air handler specifications to determine if relay is needed.

Also see Expansion Valve Kit Usage Table.

AHRI SYSTEM MATCHES - ALL REGIONS - 018-024-030-041-042-047-048-060

NOTE - For the latest up-to-date system matches please visit the AHRI web site at <http://www.ahridirectory.org>

Model No.	Expansion Device	Capacity	SEER	EER	Coil or Air Handler	Furnace	AHRI Reference
XC14-036-230A	TXV	33,400	15.00	12.50	C35-30/36B	EL296UH045XV36B	8265806
XC14-036-230A	TXV	33,400	15.00	12.50	C35-30/36B	EL296UH070XV36B	8265807
XC14-036-230A	TXV	33,600	15.50	12.50	C35-30/36B	SL280UH090V36B	8265815
XC14-036-230A	TXV	33,600	15.50	12.50	C35-30/36B	SL280UH090V48B	8265816
XC14-036-230A	TXV	33,600	15.50	12.50	C35-30/36B	SL280UH090XV48B	8265809
XC14-036-230A	TXV	33,400	15.00	12.50	C35-30/36B	SLP98UH070XV36B	8265808
XC14-036-230A	TXV	33,600	15.10	12.50	C35-30/36C	EL180UH090E60C	8265824
XC14-036-230A	TXV	33,400	15.50	12.50	C35-30/36C	EL180UH110E60C	8265825
XC14-036-230A	TXV	33,400	15.50	12.50	C35-30/36C	EL180UH110XE60C	8265826
XC14-036-230A	TXV	33,200	15.10	12.50	C35-30/36C	EL195UH090XE48C	8265827
XC14-036-230A	TXV	33,600	15.10	12.50	C35-30/36C	EL195UH110XE60C	8265829
XC14-036-230A	TXV	33,200	15.10	12.50	C35-30/36C	EL296UH090XE48C	8265828
XC14-036-230A	TXV	33,600	15.50	12.50	C35-30/36C	EL296UH090XV36C	8265819
XC14-036-230A	TXV	33,400	15.50	12.50	C35-30/36C	EL296UH090XV48C	8265821
XC14-036-230A	TXV	33,600	15.10	12.50	C35-30/36C	EL296UH110XE60C	8265818
XC14-036-230A	TXV	33,600	15.50	12.50	C35-30/36C	EL296UH110XV48C	8265823
XC14-036-230A	TXV	33,600	15.50	12.50	C35-30/36C	SLP98UH090XV36C	8265820
XC14-036-230A	TXV	33,400	15.50	12.50	C35-30/36C	SLP98UH090XV48C	8265822
XC14-036-230A	TXV	33,800	15.50	12.50	C35-30/36C	SLP98UH110XV60C	8265817
XC14-036-230A	TXV	34,200	15.10	12.50	C35-30A	EL180UH045E36A	8265785
XC14-036-230A	TXV	34,200	15.10	12.50	C35-30A	EL180UH045XE36A	8265786
XC14-036-230A	TXV	34,400	15.10	12.50	C35-30A	SL280UH070V36A	8265783
XC14-036-230A	TXV	34,400	15.10	12.50	C35-30A	SL280UH070XV36A	8265784
XC14-036-230A	TXV	34,400	15.00	12.50	C35-30B	EL180UH070E36B	8265796
XC14-036-230A	TXV	34,400	15.00	12.50	C35-30B	EL180UH070XE36B	8265797
XC14-036-230A	TXV	34,400	15.50	12.50	C35-30B	EL180UH090E48B	8265798
XC14-036-230A	TXV	34,400	15.50	12.50	C35-30B	EL180UH090XE48B	8265799
XC14-036-230A	TXV	34,000	14.50	12.20	C35-30B	EL195UH045XE36B	8265800
XC14-036-230A	TXV	34,000	15.10	12.50	C35-30B	EL195UH070XE36B	8265790
XC14-036-230A	TXV	34,000	14.50	12.20	C35-30B	EL296UH045XE36B	8265789
XC14-036-230A	TXV	34,200	15.10	12.50	C35-30B	EL296UH045XV36B	8265792
XC14-036-230A	TXV	34,000	15.10	12.50	C35-30B	EL296UH070XE36B	8265791
XC14-036-230A	TXV	34,200	15.10	12.50	C35-30B	EL296UH070XV36B	8265793
XC14-036-230A	TXV	34,400	15.50	12.50	C35-30B	SL280UH090V36B	8265787
XC14-036-230A	TXV	34,400	15.50	12.50	C35-30B	SL280UH090V48B	8265788
XC14-036-230A	TXV	34,400	15.50	12.50	C35-30B	SL280UH090XV48B	8265795
XC14-036-230A	TXV	34,200	15.10	12.50	C35-30B	SLP98UH070XV36B	8265794
XC14-036-230A	TXV	34,400	15.10	12.50	C35-36A	EL180UH045E36A	8265833
XC14-036-230A	TXV	34,400	15.10	12.50	C35-36A	EL180UH045XE36A	8265834
XC14-036-230A	TXV	34,600	15.50	12.50	C35-36A	SL280UH070V36A	8265831
XC14-036-230A	TXV	34,600	15.50	12.50	C35-36A	SL280UH070XV36A	8265832
XC14-036-230A	TXV	34,200	14.25	12.20	C35-36A		8265830
XC14-036-230A	TXV	34,600	16.00	13.00	C35-36B	EL180UH070E36B	8265843
XC14-036-230A	TXV	34,600	16.00	13.00	C35-36B	EL180UH070XE36B	8265844
XC14-036-230A	TXV	34,600	16.00	13.00	C35-36B	EL180UH090E48B	8265845
XC14-036-230A	TXV	34,600	16.00	13.00	C35-36B	EL180UH090XE48B	8265846
XC14-036-230A	TXV	34,400	15.00	12.50	C35-36B	EL195UH045XE36B	8265847
XC14-036-230A	TXV	34,400	15.00	12.50	C35-36B	EL195UH070XE36B	8265837
XC14-036-230A	TXV	34,400	15.00	12.50	C35-36B	EL296UH045XE36B	8265836

NOTES:

TXV = Matched with Thermostatic Expansion Valve.

RFC = Matched with RFC metering device.

AHRI certified to AHRI Standard 210/240 (with 25 ft. of connecting refrigerant lines); 95°F outdoor air temperature, 80°F db / 67°F wb entering evaporator air. All ratings include the use of a blower time delay relay (TDR). All Lennox variable-speed furnaces and Air Handlers have time delay capabilities. Other Furnaces and Air Handlers may require an optional time delay relay (**58M81**) for field installation. See furnace or air handler specifications to determine if relay is needed.

Also see Expansion Valve Kit Usage Table.

AHRI SYSTEM MATCHES - ALL REGIONS - 018-024-030-041-042-047-048-060

NOTE - For the latest up-to-date system matches please visit the AHRI web site at <http://www.ahridirectory.org>

Model No.	Expansion Device	Capacity	SEER	EER	Coil or Air Handler	Furnace	AHRI Reference
XC14-036-230A	TXV	34,600	15.50	12.50	C35-36B	EL296UH045XV36B	8265839
XC14-036-230A	TXV	34,400	15.00	12.50	C35-36B	EL296UH070XE36B	8265838
XC14-036-230A	TXV	34,600	15.50	12.50	C35-36B	EL296UH070XV36B	8265840
XC14-036-230A	TXV	34,800	16.00	13.00	C35-36B	SL280UH090V36B	8265848
XC14-036-230A	TXV	34,800	16.00	13.00	C35-36B	SL280UH090V48B	8265849
XC14-036-230A	TXV	34,800	16.00	13.00	C35-36B	SL280UH090XV48B	8265842
XC14-036-230A	TXV	34,600	15.50	12.50	C35-36B	SLP98UH070XV36B	8265841
XC14-036-230A	TXV	34,200	14.25	12.20	C35-36B		8265835
XC14-036-230A	TXV	34,800	16.00	13.00	C35-48B	EL180UH070E36B	8265862
XC14-036-230A	TXV	34,800	16.00	13.00	C35-48B	EL180UH070XE36B	8265863
XC14-036-230A	TXV	34,800	16.00	13.00	C35-48B	EL180UH090E48B	8265864
XC14-036-230A	TXV	34,800	16.00	13.00	C35-48B	EL180UH090XE48B	8265853
XC14-036-230A	TXV	34,400	15.00	12.50	C35-48B	EL195UH045XE36B	8265854
XC14-036-230A	TXV	34,600	15.10	12.50	C35-48B	EL195UH070XE36B	8265856
XC14-036-230A	TXV	34,400	15.00	12.50	C35-48B	EL296UH045XE36B	8265855
XC14-036-230A	TXV	34,800	15.50	12.50	C35-48B	EL296UH045XV36B	8265858
XC14-036-230A	TXV	34,600	15.10	12.50	C35-48B	EL296UH070XE36B	8265857
XC14-036-230A	TXV	34,800	15.50	12.50	C35-48B	EL296UH070XV36B	8265851
XC14-036-230A	TXV	34,800	16.00	13.00	C35-48B	SL280UH090V36B	8265859
XC14-036-230A	TXV	35,000	16.00	13.00	C35-48B	SL280UH090V48B	8265860
XC14-036-230A	TXV	35,000	16.00	13.00	C35-48B	SL280UH090XV48B	8265861
XC14-036-230A	TXV	34,800	15.50	12.50	C35-48B	SLP98UH070XV36B	8265852
XC14-036-230A	TXV	34,400	14.50	12.20	C35-48B		8265850
XC14-036-230A	TXV	34,800	16.00	13.00	C35-48C	EL180UH090E60C	8265874
XC14-036-230A	TXV	34,800	16.00	13.00	C35-48C	EL180UH110E60C	8265875
XC14-036-230A	TXV	34,800	16.00	13.00	C35-48C	EL180UH110XE60C	8265876
XC14-036-230A	TXV	34,600	15.50	12.50	C35-48C	EL195UH090XE48C	8265877
XC14-036-230A	TXV	34,800	16.00	13.00	C35-48C	EL195UH110XE60C	8265879
XC14-036-230A	TXV	34,600	15.50	12.50	C35-48C	EL296UH090XE48C	8265878
XC14-036-230A	TXV	34,800	16.00	13.00	C35-48C	EL296UH090XV36C	8265869
XC14-036-230A	TXV	34,800	16.00	13.00	C35-48C	EL296UH090XV48C	8265871
XC14-036-230A	TXV	34,600	16.00	13.00	C35-48C	EL296UH110XE60C	8265868
XC14-036-230A	TXV	35,000	16.00	13.00	C35-48C	EL296UH110XV48C	8265873
XC14-036-230A	TXV	35,200	16.00	13.00	C35-48C	EL296UH110XV60C	8265866
XC14-036-230A	TXV	35,400	16.00	13.00	C35-48C	SL280UH090V60C	8265880
XC14-036-230A	TXV	35,400	16.00	13.00	C35-48C	SL280UH090XV60C	8265881
XC14-036-230A	TXV	35,200	16.00	13.00	C35-48C	SL280UH110V60C	8265882
XC14-036-230A	TXV	35,200	16.00	13.00	C35-48C	SL280UH110XV60C	8265883
XC14-036-230A	TXV	34,800	16.00	13.00	C35-48C	SLP98UH090XV36C	8265870
XC14-036-230A	TXV	34,800	16.00	13.00	C35-48C	SLP98UH090XV48C	8265872
XC14-036-230A	TXV	35,200	16.00	13.00	C35-48C	SLP98UH110XV60C	8265867
XC14-036-230A	TXV	34,400	14.50	12.20	C35-48C		8265865
XC14-036-230A	TXV	35,200	16.00	13.00	C35-49C	EL180UH090E60C	8265899
XC14-036-230A	TXV	35,000	16.00	13.00	C35-49C	EL180UH110E60C	8265900
XC14-036-230A	TXV	35,000	16.00	13.00	C35-49C	EL180UH110XE60C	8265901
XC14-036-230A	TXV	34,800	16.00	13.00	C35-49C	EL195UH090XE48C	8265890
XC14-036-230A	TXV	35,200	16.00	13.00	C35-49C	EL195UH110XE60C	8265892
XC14-036-230A	TXV	34,800	16.00	13.00	C35-49C	EL296UH090XE48C	8265891
XC14-036-230A	TXV	35,200	16.00	13.00	C35-49C	EL296UH090XV36C	8265894

NOTES:

TXV = Matched with Thermostatic Expansion Valve.

RFC = Matched with RFC metering device.

AHRI certified to AHRI Standard 210/240 (with 25 ft. of connecting refrigerant lines); 95°F outdoor air temperature, 80°F db / 67°F wb entering evaporator air.

All ratings include the use of a blower time delay relay (TDR). All Lennox variable-speed furnaces and Air Handlers have time delay capabilities. Other Furnaces and Air Handlers may require an optional time delay relay (**58M81**) for field installation. See furnace or air handler specifications to determine if relay is needed.

Also see Expansion Valve Kit Usage Table.

AHRI SYSTEM MATCHES - ALL REGIONS - 018-024-030-041-042-047-048-060

NOTE - For the latest up-to-date system matches please visit the AHRI web site at <http://www.ahridirectory.org>

Model No.	Expansion Device	Capacity	SEER	EER	Coil or Air Handler	Furnace	AHRI Reference
XC14-036-230A	TXV	35,000	16.00	13.00	C35-49C	EL296UH090XV48C	8265885
XC14-036-230A	TXV	35,200	16.00	13.00	C35-49C	EL296UH110XE60C	8265893
XC14-036-230A	TXV	35,200	16.00	13.00	C35-49C	EL296UH110XV48C	8265887
XC14-036-230A	TXV	35,600	16.00	13.00	C35-49C	EL296UH110XV60C	8265888
XC14-036-230A	TXV	35,600	16.00	13.00	C35-49C	SL280UH090V60C	8265902
XC14-036-230A	TXV	35,600	16.00	13.00	C35-49C	SL280UH090XV60C	8265896
XC14-036-230A	TXV	35,400	16.00	13.00	C35-49C	SL280UH110V60C	8265897
XC14-036-230A	TXV	35,400	16.00	13.00	C35-49C	SL280UH110XV60C	8265898
XC14-036-230A	TXV	35,200	16.00	13.00	C35-49C	SLP98UH090XV36C	8265895
XC14-036-230A	TXV	35,000	16.00	13.00	C35-49C	SLP98UH090XV48C	8265886
XC14-036-230A	TXV	35,600	16.00	13.00	C35-49C	SLP98UH110XV60C	8265889
XC14-036-230A	TXV	34,600	14.50	12.20	C35-49C		8265884
XC14-036-230A	TXV	34,800	16.00	13.00	C35-50/60C	EL180UH090E60C	8265920
XC14-036-230A	TXV	34,800	16.00	13.00	C35-50/60C	EL180UH110E60C	8265921
XC14-036-230A	TXV	34,800	16.00	13.00	C35-50/60C	EL180UH110XE60C	8265910
XC14-036-230A	TXV	34,400	15.50	12.50	C35-50/60C	EL195UH090XE48C	8265911
XC14-036-230A	TXV	34,800	16.00	13.00	C35-50/60C	EL195UH110XE60C	8265913
XC14-036-230A	TXV	34,400	15.50	12.50	C35-50/60C	EL296UH090XE48C	8265912
XC14-036-230A	TXV	34,800	16.00	13.00	C35-50/60C	EL296UH090XV36C	8265915
XC14-036-230A	TXV	34,600	16.00	13.00	C35-50/60C	EL296UH090XV48C	8265905
XC14-036-230A	TXV	34,800	16.00	13.00	C35-50/60C	EL296UH110XE60C	8265914
XC14-036-230A	TXV	34,800	16.00	13.00	C35-50/60C	EL296UH110XV48C	8265907
XC14-036-230A	TXV	35,200	16.00	13.00	C35-50/60C	EL296UH110XV60C	8265908
XC14-036-230A	TXV	35,200	16.00	13.00	C35-50/60C	SL280UH090V60C	8265916
XC14-036-230A	TXV	35,200	16.00	13.00	C35-50/60C	SL280UH090XV60C	8265917
XC14-036-230A	TXV	35,000	16.00	13.00	C35-50/60C	SL280UH110V60C	8265918
XC14-036-230A	TXV	35,000	16.00	13.00	C35-50/60C	SL280UH110XV60C	8265919
XC14-036-230A	TXV	34,800	16.00	13.00	C35-50/60C	SLP98UH090XV36C	8265904
XC14-036-230A	TXV	34,600	16.00	13.00	C35-50/60C	SLP98UH090XV48C	8265906
XC14-036-230A	TXV	35,200	16.00	13.00	C35-50/60C	SLP98UH110XV60C	8265909
XC14-036-230A	TXV	34,200	14.50	12.20	C35-50/60C		8265903
XC14-036-230A	TXV	34,200	14.50	12.20	CBX25UH-036		7515161
XC14-036-230A	TXV	34,600	15.00	12.50	CBX25UH-042		7515162
XC14-036-230A	TXV	34,400	15.00	12.50	CBX25UHV-036		7515163
XC14-036-230A	TXV	35,200	16.00	13.00	CBX25UHV-042		7515164
XC14-036-230A	TXV	34,200	16.00	13.00	CBX27UH-036		7515165
XC14-036-230A	TXV	35,200	16.00	13.00	CBX27UH-042		7515166
XC14-036-230A	TXV	33,400	14.50	12.20	CBX32M-030		7515155
XC14-036-230A	TXV	33,800	14.50	12.20	CBX32M-036		7515156
XC14-036-230A	TXV	33,800	14.50	12.20	CBX32M-042		7515157
XC14-036-230A	TXV	34,800	15.10	12.50	CBX32M-048		7515158
XC14-036-230A	TXV	34,000	15.10	12.50	CBX32MV-036		7515159
XC14-036-230A	TXV	35,200	16.00	13.00	CBX32MV-048		7515160
XC14-036-230A	TXV	34,200	15.10	12.50	CBX40UHV-036		7515149
XC14-036-230A	TXV	35,000	15.50	12.50	CBX40UHV-042		7515150
XC14-036-230A	TXV	35,000	16.00	13.00	CBX40UHV-048		7515151
XC14-036-230A	TXV	33,600	15.00	12.50	CH23-41	EL180UH045E36A	7515154
XC14-036-230A	TXV	33,600	15.00	12.50	CH23-41	EL180UH045XE36A	7515143
XC14-036-230A	TXV	33,800	15.50	12.50	CH23-41	EL180UH070E36B	7515144

NOTES:

TXV = Matched with Thermostatic Expansion Valve.

RFC = Matched with RFC metering device.

AHRI certified to AHRI Standard 210/240 (with 25 ft. of connecting refrigerant lines); 95°F outdoor air temperature, 80°F db / 67°F wb entering evaporator air.

All ratings include the use of a blower time delay relay (TDR). All Lennox variable-speed furnaces and Air Handlers have time delay capabilities. Other Furnaces and Air Handlers may require an optional time delay relay (**58M81**) for field installation. See furnace or air handler specifications to determine if relay is needed.

Also see Expansion Valve Kit Usage Table.

AHRI SYSTEM MATCHES - ALL REGIONS - 018-024-030-041-042-047-048-060

NOTE - For the latest up-to-date system matches please visit the AHRI web site at <http://www.ahridirectory.org>

Model No.	Expansion Device	Capacity	SEER	EER	Coil or Air Handler	Furnace	AHRI Reference
XC14-036-230A	TXV	33,800	15.50	12.50	CH23-41	EL180UH070XE36B	7515145
XC14-036-230A	TXV	33,800	15.50	12.50	CH23-41	EL180UH090E48B	7515146
XC14-036-230A	TXV	33,800	15.50	12.50	CH23-41	EL180UH090XE48B	7515147
XC14-036-230A	TXV	33,600	15.10	12.50	CH23-41	EL195UH045XE36B	7515148
XC14-036-230A	TXV	33,800	15.10	12.50	CH23-41	EL195UH070XE36B	7515138
XC14-036-230A	TXV	33,600	15.10	12.50	CH23-41	EL296UH045XE36B	7515137
XC14-036-230A	TXV	33,800	15.10	12.50	CH23-41	EL296UH045XV36B	7515140
XC14-036-230A	TXV	33,800	15.10	12.50	CH23-41	EL296UH070XE36B	7515139
XC14-036-230A	TXV	33,800	15.10	12.50	CH23-41	EL296UH070XV36B	7515141
XC14-036-230A	TXV	34,000	16.00	13.00	CH23-41	SL280UH090V48B	7515152
XC14-036-230A	TXV	34,000	16.00	13.00	CH23-41	SL280UH090XV48B	7515153
XC14-036-230A	TXV	33,800	15.10	12.50	CH23-41	SLP98UH070XV36B	7515142
XC14-036-230A	TXV	33,600	15.00	12.50	CH23-51	EL180UH045E36A	7515134
XC14-036-230A	TXV	33,600	15.00	12.50	CH23-51	EL180UH045XE36A	7515135
XC14-036-230A	TXV	33,800	15.50	12.50	CH23-51	EL180UH070E36B	7515136
XC14-036-230A	TXV	33,800	15.50	12.50	CH23-51	EL180UH070XE36B	7515125
XC14-036-230A	TXV	33,800	15.50	12.50	CH23-51	EL180UH090E48B	7515126
XC14-036-230A	TXV	34,000	15.50	12.50	CH23-51	EL180UH090E60C	7515113
XC14-036-230A	TXV	33,800	15.50	12.50	CH23-51	EL180UH090XE48B	7515127
XC14-036-230A	TXV	34,000	15.50	12.50	CH23-51	EL180UH110E60C	7515114
XC14-036-230A	TXV	34,000	15.50	12.50	CH23-51	EL180UH110XE60C	7515115
XC14-036-230A	TXV	33,600	15.10	12.50	CH23-51	EL195UH045XE36B	7515128
XC14-036-230A	TXV	33,800	15.10	12.50	CH23-51	EL195UH070XE36B	7515130
XC14-036-230A	TXV	33,600	15.10	12.50	CH23-51	EL195UH090XE48C	7515116
XC14-036-230A	TXV	34,000	15.50	12.50	CH23-51	EL195UH110XE60C	7515118
XC14-036-230A	TXV	33,600	15.10	12.50	CH23-51	EL296UH045XE36B	7515129
XC14-036-230A	TXV	34,000	15.10	12.50	CH23-51	EL296UH045XV36B	7515120
XC14-036-230A	TXV	33,800	15.10	12.50	CH23-51	EL296UH070XE36B	7515119
XC14-036-230A	TXV	34,000	15.10	12.50	CH23-51	EL296UH070XV36B	7515121
XC14-036-230A	TXV	33,600	15.10	12.50	CH23-51	EL296UH090XE48C	7515117
XC14-036-230A	TXV	34,000	15.50	12.50	CH23-51	EL296UH090XV36C	7515108
XC14-036-230A	TXV	33,800	15.50	12.50	CH23-51	EL296UH090XV48C	7515110
XC14-036-230A	TXV	34,000	15.50	12.50	CH23-51	EL296UH110XE60C	7515107
XC14-036-230A	TXV	34,000	15.50	12.50	CH23-51	EL296UH110XV48C	7515112
XC14-036-230A	TXV	34,200	15.50	12.50	CH23-51	EL296UH110XV60C	7515101
XC14-036-230A	TXV	34,000	16.00	13.00	CH23-51	SL280UH090V36B	7515131
XC14-036-230A	TXV	34,200	16.00	13.00	CH23-51	SL280UH090V48B	7515132
XC14-036-230A	TXV	34,400	15.50	12.50	CH23-51	SL280UH090V60C	7514638
XC14-036-230A	TXV	34,200	16.00	13.00	CH23-51	SL280UH090XV48B	7515133
XC14-036-230A	TXV	34,400	15.50	12.50	CH23-51	SL280UH090XV60C	7514627
XC14-036-230A	TXV	34,200	15.50	12.50	CH23-51	SL280UH110V60C	7515123
XC14-036-230A	TXV	34,200	15.50	12.50	CH23-51	SL280UH110XV60C	7515124
XC14-036-230A	TXV	34,000	15.10	12.50	CH23-51	SLP98UH070XV36B	7515122
XC14-036-230A	TXV	34,000	15.50	12.50	CH23-51	SLP98UH090XV36C	7515109
XC14-036-230A	TXV	33,800	15.50	12.50	CH23-51	SLP98UH090XV48C	7515111
XC14-036-230A	TXV	34,200	15.50	12.50	CH23-51	SLP98UH110XV60C	7515102
XC14-036-230A	TXV	34,000	15.00	12.50	CH33-31A	EL180UH045E36A	7515105
XC14-036-230A	TXV	34,000	15.00	12.50	CH33-31A	EL180UH045XE36A	7515106
XC14-036-230A	TXV	34,200	15.10	12.50	CH33-31A	SL280UH070V36A	7515103

NOTES:

TXV = Matched with Thermostatic Expansion Valve.

RFC = Matched with RFC metering device.

AHRI certified to AHRI Standard 210/240 (with 25 ft. of connecting refrigerant lines); 95°F outdoor air temperature, 80°F db / 67°F wb entering evaporator air.

All ratings include the use of a blower time delay relay (TDR). All Lennox variable-speed furnaces and Air Handlers have time delay capabilities. Other Furnaces and Air Handlers may require an optional time delay relay (**58M81**) for field installation. See furnace or air handler specifications to determine if relay is needed.

Also see Expansion Valve Kit Usage Table.

AHRI SYSTEM MATCHES - ALL REGIONS - 018-024-030-041-042-047-048-060

NOTE - For the latest up-to-date system matches please visit the AHRI web site at <http://www.ahridirectory.org>

Model No.	Expansion Device	Capacity	SEER	EER	Coil or Air Handler	Furnace	AHRI Reference
XC14-036-230A	TXV	34,200	15.10	12.50	CH33-31A	SL280UH070XV36A	7515104
XC14-036-230A	TXV	34,600	15.10	12.50	CH33-31B	EL180UH070E36B	7515098
XC14-036-230A	TXV	34,600	15.10	12.50	CH33-31B	EL180UH070XE36B	7515099
XC14-036-230A	TXV	34,600	15.50	12.50	CH33-31B	EL180UH090E48B	7515100
XC14-036-230A	TXV	34,600	15.50	12.50	CH33-31B	EL180UH090XE48B	7515089
XC14-036-230A	TXV	34,200	14.50	12.20	CH33-31B	EL195UH045XE36B	7515090
XC14-036-230A	TXV	34,400	15.00	12.50	CH33-31B	EL195UH070XE36B	7515092
XC14-036-230A	TXV	34,200	14.50	12.20	CH33-31B	EL296UH045XE36B	7515091
XC14-036-230A	TXV	34,600	15.10	12.50	CH33-31B	EL296UH045XV36B	7515094
XC14-036-230A	TXV	34,400	15.00	12.50	CH33-31B	EL296UH070XE36B	7515093
XC14-036-230A	TXV	34,600	15.10	12.50	CH33-31B	EL296UH070XV36B	7515083
XC14-036-230A	TXV	34,800	16.00	13.00	CH33-31B	SL280UH090V36B	7515095
XC14-036-230A	TXV	34,800	15.50	12.50	CH33-31B	SL280UH090V48B	7515096
XC14-036-230A	TXV	34,800	15.50	12.50	CH33-31B	SL280UH090XV48B	7515097
XC14-036-230A	TXV	34,600	15.10	12.50	CH33-31B	SLP98UH070XV36B	7515084
XC14-036-230A	TXV	34,200	14.50	12.20	CH33-31B		7514518
XC14-036-230A	TXV	33,000	14.50	12.20	CH33-36A	EL180UH045E36A	7515087
XC14-036-230A	TXV	33,000	14.50	12.20	CH33-36A	EL180UH045XE36A	7515088
XC14-036-230A	TXV	33,200	14.50	12.20	CH33-36A	SL280UH070V36A	7515085
XC14-036-230A	TXV	33,200	14.50	12.20	CH33-36A	SL280UH070XV36A	7515086
XC14-036-230A	TXV	33,400	15.50	12.50	CH33-36B	EL180UH070E36B	7515080
XC14-036-230A	TXV	33,400	15.50	12.50	CH33-36B	EL180UH070XE36B	7515081
XC14-036-230A	TXV	33,400	15.10	12.50	CH33-36B	EL180UH090E48B	7515082
XC14-036-230A	TXV	33,400	15.10	12.50	CH33-36B	EL180UH090XE48B	7515071
XC14-036-230A	TXV	33,000	15.00	12.50	CH33-36B	EL195UH045XE36B	7515072
XC14-036-230A	TXV	33,200	15.00	12.50	CH33-36B	EL195UH070XE36B	7515074
XC14-036-230A	TXV	33,000	15.00	12.50	CH33-36B	EL296UH045XE36B	7515073
XC14-036-230A	TXV	33,400	14.50	12.20	CH33-36B	EL296UH045XV36B	7514628
XC14-036-230A	TXV	33,200	15.00	12.50	CH33-36B	EL296UH070XE36B	7515075
XC14-036-230A	TXV	33,400	15.00	12.50	CH33-36B	EL296UH070XV36B	7515076
XC14-036-230A	TXV	33,400	15.50	12.50	CH33-36B	SL280UH090V36B	7515077
XC14-036-230A	TXV	33,600	15.50	12.50	CH33-36B	SL280UH090V48B	7515078
XC14-036-230A	TXV	33,600	15.50	12.50	CH33-36B	SL280UH090XV48B	7515079
XC14-036-230A	TXV	33,400	15.00	12.50	CH33-36B	SLP98UH070XV36B	7515065
XC14-036-230A	TXV	33,800	15.50	12.50	CH33-36C	EL180UH090E60C	7515068
XC14-036-230A	TXV	33,800	15.50	12.50	CH33-36C	EL180UH110E60C	7515069
XC14-036-230A	TXV	33,800	15.50	12.50	CH33-36C	EL180UH110XE60C	7515070
XC14-036-230A	TXV	33,600	15.10	12.50	CH33-36C	EL195UH090XE48C	7515059
XC14-036-230A	TXV	34,000	15.50	12.50	CH33-36C	EL195UH110XE60C	7515061
XC14-036-230A	TXV	33,600	15.10	12.50	CH33-36C	EL296UH090XE48C	7515060
XC14-036-230A	TXV	34,000	15.50	12.50	CH33-36C	EL296UH090XV36C	7515063
XC14-036-230A	TXV	33,800	15.50	12.50	CH33-36C	EL296UH090XV48C	7515053
XC14-036-230A	TXV	34,000	15.50	12.50	CH33-36C	EL296UH110XE60C	7515062
XC14-036-230A	TXV	34,000	15.50	12.50	CH33-36C	EL296UH110XV48C	7515055
XC14-036-230A	TXV	34,200	15.50	12.50	CH33-36C	EL296UH110XV60C	7515056
XC14-036-230A	TXV	34,400	15.50	12.50	CH33-36C	SL280UH090V60C	7514629
XC14-036-230A	TXV	34,400	15.50	12.50	CH33-36C	SL280UH090XV60C	7514630
XC14-036-230A	TXV	34,200	15.50	12.50	CH33-36C	SL280UH110V60C	7515066
XC14-036-230A	TXV	34,200	15.50	12.50	CH33-36C	SL280UH110XV60C	7515067

NOTES:

TXV = Matched with Thermostatic Expansion Valve.

RFC = Matched with RFC metering device.

AHRI certified to AHRI Standard 210/240 (with 25 ft. of connecting refrigerant lines); 95°F outdoor air temperature, 80°F db / 67°F wb entering evaporator air.

All ratings include the use of a blower time delay relay (TDR). All Lennox variable-speed furnaces and Air Handlers have time delay capabilities. Other Furnaces and Air Handlers may require an optional time delay relay (**58M81**) for field installation. See furnace or air handler specifications to determine if relay is needed.

Also see Expansion Valve Kit Usage Table.

AHRI SYSTEM MATCHES - ALL REGIONS - 018-024-030-041-042-047-048-060

NOTE - For the latest up-to-date system matches please visit the AHRI web site at <http://www.ahridirectory.org>

Model No.	Expansion Device	Capacity	SEER	EER	Coil or Air Handler	Furnace	AHRI Reference
XC14-036-230A	TXV	34,000	15.50	12.50	CH33-36C	SLP98UH090XV36C	7515064
XC14-036-230A	TXV	33,800	15.50	12.50	CH33-36C	SLP98UH090XV48C	7515054
XC14-036-230A	TXV	34,200	15.50	12.50	CH33-36C	SLP98UH110XV60C	7515057
XC14-036-230A	TXV	34,200	15.00	12.50	CH33-42B	EL180UH070E36B	7514622
XC14-036-230A	TXV	34,200	15.00	12.50	CH33-42B	EL180UH070XE36B	7514623
XC14-036-230A	TXV	34,200	15.50	12.50	CH33-42B	EL180UH090E48B	7514624
XC14-036-230A	TXV	34,200	15.50	12.50	CH33-42B	EL180UH090XE48B	7514625
XC14-036-230A	TXV	34,000	14.50	12.20	CH33-42B	EL195UH045XE36B	7514626
XC14-036-230A	TXV	34,000	15.10	12.50	CH33-42B	EL195UH070XE36B	7514616
XC14-036-230A	TXV	34,000	14.50	12.20	CH33-42B	EL296UH045XE36B	7514615
XC14-036-230A	TXV	34,200	15.00	12.50	CH33-42B	EL296UH045XV36B	7514618
XC14-036-230A	TXV	34,000	15.10	12.50	CH33-42B	EL296UH070XE36B	7514617
XC14-036-230A	TXV	34,200	15.10	12.50	CH33-42B	EL296UH070XV36B	7514619
XC14-036-230A	TXV	34,400	15.50	12.50	CH33-42B	SL280UH090V36B	7514631
XC14-036-230A	TXV	34,400	15.50	12.50	CH33-42B	SL280UH090V48B	7514632
XC14-036-230A	TXV	34,400	15.50	12.50	CH33-42B	SL280UH090XV48B	7514621
XC14-036-230A	TXV	34,200	15.10	12.50	CH33-42B	SLP98UH070XV36B	7514620
XC14-036-230A	TXV	35,000	16.00	13.00	CH33-43B	EL180UH070E36B	7515049
XC14-036-230A	TXV	35,000	16.00	13.00	CH33-43B	EL180UH070XE36B	7515050
XC14-036-230A	TXV	35,400	16.00	13.00	CH33-43B	EL180UH090E48B	7515051
XC14-036-230A	TXV	35,400	16.00	13.00	CH33-43B	EL180UH090XE48B	7515052
XC14-036-230A	TXV	35,000	15.10	12.50	CH33-43B	EL195UH045XE36B	7515041
XC14-036-230A	TXV	35,000	15.10	12.50	CH33-43B	EL195UH070XE36B	7515043
XC14-036-230A	TXV	35,000	15.10	12.50	CH33-43B	EL296UH045XE36B	7515042
XC14-036-230A	TXV	35,400	15.50	12.50	CH33-43B	EL296UH045XV36B	7515045
XC14-036-230A	TXV	35,000	15.10	12.50	CH33-43B	EL296UH070XE36B	7515044
XC14-036-230A	TXV	35,400	15.50	12.50	CH33-43B	EL296UH070XV36B	7515046
XC14-036-230A	TXV	35,400	16.00	13.00	CH33-43B	SL280UH090V36B	7515058
XC14-036-230A	TXV	35,400	16.00	13.00	CH33-43B	SL280UH090V48B	7515047
XC14-036-230A	TXV	35,400	16.00	13.00	CH33-43B	SL280UH090XV48B	7515048
XC14-036-230A	TXV	35,400	15.50	12.50	CH33-43B	SLP98UH070XV36B	7515035
XC14-036-230A	TXV	35,000	14.50	12.20	CH33-43B		7514510
XC14-036-230A	TXV	35,000	16.00	13.00	CH33-43C	EL180UH090E60C	7515040
XC14-036-230A	TXV	35,000	16.00	13.00	CH33-43C	EL180UH110E60C	7515029
XC14-036-230A	TXV	35,000	16.00	13.00	CH33-43C	EL180UH110XE60C	7515030
XC14-036-230A	TXV	34,800	16.00	13.00	CH33-43C	EL195UH090XE48C	7515031
XC14-036-230A	TXV	35,000	16.00	13.00	CH33-43C	EL195UH110XE60C	7515033
XC14-036-230A	TXV	34,800	16.00	13.00	CH33-43C	EL296UH090XE48C	7515032
XC14-036-230A	TXV	35,000	16.00	13.00	CH33-43C	EL296UH090XV36C	7515023
XC14-036-230A	TXV	35,000	16.00	13.00	CH33-43C	EL296UH090XV48C	7515025
XC14-036-230A	TXV	35,000	16.00	13.00	CH33-43C	EL296UH110XE60C	7515034
XC14-036-230A	TXV	35,200	16.00	13.00	CH33-43C	EL296UH110XV48C	7515027
XC14-036-230A	TXV	35,400	16.00	13.00	CH33-43C	EL296UH110XV60C	7515028
XC14-036-230A	TXV	35,600	16.00	13.00	CH33-43C	SL280UH090V60C	7515036
XC14-036-230A	TXV	35,600	16.00	13.00	CH33-43C	SL280UH090XV60C	7515037
XC14-036-230A	TXV	35,400	16.00	13.00	CH33-43C	SL280UH110V60C	7515038
XC14-036-230A	TXV	35,400	16.00	13.00	CH33-43C	SL280UH110XV60C	7515039
XC14-036-230A	TXV	35,000	16.00	13.00	CH33-43C	SLP98UH090XV36C	7515024
XC14-036-230A	TXV	35,000	16.00	13.00	CH33-43C	SLP98UH090XV48C	7515026

NOTES:

TXV = Matched with Thermostatic Expansion Valve.

RFC = Matched with RFC metering device.

AHRI certified to AHRI Standard 210/240 (with 25 ft. of connecting refrigerant lines); 95°F outdoor air temperature, 80°F db / 67°F wb entering evaporator air.

All ratings include the use of a blower time delay relay (TDR). All Lennox variable-speed furnaces and Air Handlers have time delay capabilities. Other Furnaces and Air Handlers may require an optional time delay relay (**58M81**) for field installation. See furnace or air handler specifications to determine if relay is needed.

Also see Expansion Valve Kit Usage Table.

AHRI SYSTEM MATCHES - ALL REGIONS - 018-024-030-041-042-047-048-060

NOTE - For the latest up-to-date system matches please visit the AHRI web site at <http://www.ahridirectory.org>

Model No.	Expansion Device	Capacity	SEER	EER	Coil or Air Handler	Furnace	AHRI Reference
XC14-036-230A	TXV	35,400	16.00	13.00	CH33-43C	SLP98UH110XV60C	7515017
XC14-036-230A	TXV	34,600	15.10	12.50	CH33-44/48B	EL180UH070E36B	7515021
XC14-036-230A	TXV	34,600	15.10	12.50	CH33-44/48B	EL180UH070XE36B	7515022
XC14-036-230A	TXV	34,600	15.50	12.50	CH33-44/48B	EL180UH090E48B	7515011
XC14-036-230A	TXV	34,600	15.50	12.50	CH33-44/48B	EL180UH090XE48B	7515012
XC14-036-230A	TXV	34,400	14.50	12.20	CH33-44/48B	EL195UH045XE36B	7515013
XC14-036-230A	TXV	34,400	15.00	12.50	CH33-44/48B	EL195UH070XE36B	7515015
XC14-036-230A	TXV	34,400	14.50	12.20	CH33-44/48B	EL296UH045XE36B	7515014
XC14-036-230A	TXV	34,600	15.10	12.50	CH33-44/48B	EL296UH045XV36B	7515005
XC14-036-230A	TXV	34,400	15.00	12.50	CH33-44/48B	EL296UH070XE36B	7515016
XC14-036-230A	TXV	34,600	15.10	12.50	CH33-44/48B	EL296UH070XV36B	7515006
XC14-036-230A	TXV	34,800	16.00	13.00	CH33-44/48B	SL280UH090V36B	7515018
XC14-036-230A	TXV	34,800	15.50	12.50	CH33-44/48B	SL280UH090V48B	7515019
XC14-036-230A	TXV	34,800	15.50	12.50	CH33-44/48B	SL280UH090XV48B	7515020
XC14-036-230A	TXV	34,600	15.10	12.50	CH33-44/48B	SLP98UH070XV36B	7515007
XC14-036-230A	TXV	34,200	14.50	12.20	CH33-44/48B		7514512
XC14-036-230A	TXV	34,800	16.00	13.00	CH33-48C	EL180UH090E60C	7515000
XC14-036-230A	TXV	34,800	16.00	13.00	CH33-48C	EL180UH110E60C	7515001
XC14-036-230A	TXV	34,800	16.00	13.00	CH33-48C	EL180UH110XE60C	7515002
XC14-036-230A	TXV	34,600	15.50	12.50	CH33-48C	EL195UH090XE48C	7515003
XC14-036-230A	TXV	35,000	16.00	13.00	CH33-48C	EL195UH110XE60C	7514993
XC14-036-230A	TXV	34,600	15.50	12.50	CH33-48C	EL296UH090XE48C	7515004
XC14-036-230A	TXV	35,000	16.00	13.00	CH33-48C	EL296UH090XV36C	7514995
XC14-036-230A	TXV	34,800	16.00	13.00	CH33-48C	EL296UH090XV48C	7514997
XC14-036-230A	TXV	35,000	16.00	13.00	CH33-48C	EL296UH110XE60C	7514994
XC14-036-230A	TXV	35,000	16.00	13.00	CH33-48C	EL296UH110XV48C	7514987
XC14-036-230A	TXV	35,200	16.00	13.00	CH33-48C	EL296UH110XV60C	7514988
XC14-036-230A	TXV	35,400	16.00	13.00	CH33-48C	SL280UH090V60C	7515008
XC14-036-230A	TXV	35,400	16.00	13.00	CH33-48C	SL280UH090XV60C	7515009
XC14-036-230A	TXV	35,200	16.00	13.00	CH33-48C	SL280UH110V60C	7515010
XC14-036-230A	TXV	35,200	16.00	13.00	CH33-48C	SL280UH110XV60C	7514999
XC14-036-230A	TXV	35,000	16.00	13.00	CH33-48C	SLP98UH090XV36C	7514996
XC14-036-230A	TXV	34,800	16.00	13.00	CH33-48C	SLP98UH090XV48C	7514998
XC14-036-230A	TXV	35,200	16.00	13.00	CH33-48C	SLP98UH110XV60C	7514989
XC14-036-230A	TXV	34,400	14.50	12.20	CH33-48C		7514513
XC14-036-230A	TXV	35,400	16.00	13.00	CH33-49	EL180UH090E60C	7514613
XC14-036-230A	TXV	35,400	16.00	13.00	CH33-49	EL180UH110E60C	7514614
XC14-036-230A	TXV	35,400	16.00	13.00	CH33-49	EL180UH110XE60C	7514603
XC14-036-230A	TXV	35,000	16.00	13.00	CH33-49	EL195UH090XE48C	7514604
XC14-036-230A	TXV	35,400	16.00	13.00	CH33-49	EL195UH110XE60C	7514606
XC14-036-230A	TXV	35,000	16.00	13.00	CH33-49	EL296UH090XE48C	7514605
XC14-036-230A	TXV	35,400	16.00	13.00	CH33-49	EL296UH090XV36C	7514608
XC14-036-230A	TXV	35,200	16.00	13.00	CH33-49	EL296UH090XV48C	7514598
XC14-036-230A	TXV	35,400	16.00	13.00	CH33-49	EL296UH110XE60C	7514607
XC14-036-230A	TXV	35,400	16.00	13.00	CH33-49	EL296UH110XV48C	7514600
XC14-036-230A	TXV	35,800	16.00	13.00	CH33-49	EL296UH110XV60C	7514601
XC14-036-230A	TXV	35,800	16.00	13.00	CH33-49	SL280UH090V60C	7514609
XC14-036-230A	TXV	35,800	16.00	13.00	CH33-49	SL280UH090XV60C	7514610
XC14-036-230A	TXV	35,600	16.00	13.00	CH33-49	SL280UH110V60C	7514611

NOTES:

TXV = Matched with Thermostatic Expansion Valve.

RFC = Matched with RFC metering device.

AHRI certified to AHRI Standard 210/240 (with 25 ft. of connecting refrigerant lines); 95°F outdoor air temperature, 80°F db / 67°F wb entering evaporator air.

All ratings include the use of a blower time delay relay (TDR). All Lennox variable-speed furnaces and Air Handlers have time delay capabilities. Other Furnaces and Air Handlers may require an optional time delay relay (**58M81**) for field installation. See furnace or air handler specifications to determine if relay is needed.

Also see Expansion Valve Kit Usage Table.

AHRI SYSTEM MATCHES - ALL REGIONS - 018-024-030-041-042-047-048-060

NOTE - For the latest up-to-date system matches please visit the AHRI web site at <http://www.ahridirectory.org>

Model No.	Expansion Device	Capacity	SEER	EER	Coil or Air Handler	Furnace	AHRI Reference
XC14-036-230A	TXV	35,600	16.00	13.00	CH33-49	SL280UH110XV60C	7514612
XC14-036-230A	TXV	35,400	16.00	13.00	CH33-49	SLP98UH090XV36C	7514597
XC14-036-230A	TXV	35,200	16.00	13.00	CH33-49	SLP98UH090XV48C	7514599
XC14-036-230A	TXV	35,800	16.00	13.00	CH33-49	SLP98UH110XV60C	7514602
XC14-036-230A	TXV	34,800	14.50	12.20	CH33-49		7514484
XC14-036-230A	TXV	35,200	16.00	13.00	CH33-50/60C	EL180UH090E60C	7514982
XC14-036-230A	TXV	35,200	16.00	13.00	CH33-50/60C	EL180UH110E60C	7514983
XC14-036-230A	TXV	35,200	16.00	13.00	CH33-50/60C	EL180UH110XE60C	7514984
XC14-036-230A	TXV	35,000	16.00	13.00	CH33-50/60C	EL195UH090XE48C	7514985
XC14-036-230A	TXV	35,200	16.00	13.00	CH33-50/60C	EL195UH110XE60C	7514975
XC14-036-230A	TXV	35,000	16.00	13.00	CH33-50/60C	EL296UH090XE48C	7514986
XC14-036-230A	TXV	35,200	16.00	13.00	CH33-50/60C	EL296UH090XV36C	7514977
XC14-036-230A	TXV	35,000	16.00	13.00	CH33-50/60C	EL296UH090XV48C	7514979
XC14-036-230A	TXV	35,200	16.00	13.00	CH33-50/60C	EL296UH110XE60C	7514976
XC14-036-230A	TXV	35,200	16.00	13.00	CH33-50/60C	EL296UH110XV48C	7514969
XC14-036-230A	TXV	35,600	16.00	13.00	CH33-50/60C	EL296UH110XV60C	7514970
XC14-036-230A	TXV	35,600	16.00	13.00	CH33-50/60C	SL280UH090V60C	7514990
XC14-036-230A	TXV	35,600	16.00	13.00	CH33-50/60C	SL280UH090XV60C	7514991
XC14-036-230A	TXV	35,600	16.00	13.00	CH33-50/60C	SL280UH110V60C	7514992
XC14-036-230A	TXV	35,600	16.00	13.00	CH33-50/60C	SL280UH110XV60C	7514981
XC14-036-230A	TXV	35,200	16.00	13.00	CH33-50/60C	SLP98UH090XV36C	7514978
XC14-036-230A	TXV	35,000	16.00	13.00	CH33-50/60C	SLP98UH090XV48C	7514980
XC14-036-230A	TXV	35,600	16.00	13.00	CH33-50/60C	SLP98UH110XV60C	7514971
XC14-036-230A	TXV	34,600	14.50	12.20	CH33-50/60C		7514503
XC14-036-230A	TXV	34,000	15.00	12.50	CH35-30A	EL180UH045E36A	7514974
XC14-036-230A	TXV	34,000	15.00	12.50	CH35-30A	EL180UH045XE36A	7514963
XC14-036-230A	TXV	34,200	15.10	12.50	CH35-30A	SL280UH070V36A	7514972
XC14-036-230A	TXV	34,200	15.10	12.50	CH35-30A	SL280UH070XV36A	7514973
XC14-036-230A	TXV	34,800	15.10	12.50	CH35-30B	EL180UH070E36B	7514967
XC14-036-230A	TXV	34,800	15.10	12.50	CH35-30B	EL180UH070XE36B	7514968
XC14-036-230A	TXV	34,800	16.00	13.00	CH35-30B	EL180UH090E48B	7514957
XC14-036-230A	TXV	34,800	16.00	13.00	CH35-30B	EL180UH090XE48B	7514958
XC14-036-230A	TXV	34,400	14.50	12.20	CH35-30B	EL195UH045XE36B	7514959
XC14-036-230A	TXV	34,400	15.00	12.50	CH35-30B	EL195UH070XE36B	7514961
XC14-036-230A	TXV	34,400	14.50	12.20	CH35-30B	EL296UH045XE36B	7514960
XC14-036-230A	TXV	34,600	15.10	12.50	CH35-30B	EL296UH045XV36B	7514951
XC14-036-230A	TXV	34,400	15.00	12.50	CH35-30B	EL296UH070XE36B	7514962
XC14-036-230A	TXV	34,600	15.10	12.50	CH35-30B	EL296UH070XV36B	7514952
XC14-036-230A	TXV	34,800	16.00	13.00	CH35-30B	SL280UH090V36B	7514964
XC14-036-230A	TXV	34,800	15.50	12.50	CH35-30B	SL280UH090V48B	7514965
XC14-036-230A	TXV	34,800	15.50	12.50	CH35-30B	SL280UH090XV48B	7514966
XC14-036-230A	TXV	34,600	15.10	12.50	CH35-30B	SLP98UH070XV36B	7514953
XC14-036-230A	TXV	34,200	14.50	12.20	CH35-30B		7514504
XC14-036-230A	TXV	33,000	14.50	12.20	CH35-36A	EL180UH045E36A	7514956
XC14-036-230A	TXV	33,000	14.50	12.20	CH35-36A	EL180UH045XE36A	7514945
XC14-036-230A	TXV	33,200	14.50	12.20	CH35-36A	SL280UH070V36A	7514954
XC14-036-230A	TXV	33,200	14.50	12.20	CH35-36A	SL280UH070XV36A	7514955
XC14-036-230A	TXV	33,400	15.50	12.50	CH35-36B	EL180UH070E36B	7514949
XC14-036-230A	TXV	33,400	15.50	12.50	CH35-36B	EL180UH070XE36B	7514950

NOTES:

TXV = Matched with Thermostatic Expansion Valve.

RFC = Matched with RFC metering device.

AHRI certified to AHRI Standard 210/240 (with 25 ft. of connecting refrigerant lines); 95°F outdoor air temperature, 80°F db / 67°F wb entering evaporator air.

All ratings include the use of a blower time delay relay (TDR). All Lennox variable-speed furnaces and Air Handlers have time delay capabilities. Other Furnaces and Air Handlers may require an optional time delay relay (**58M81**) for field installation. See furnace or air handler specifications to determine if relay is needed.

Also see Expansion Valve Kit Usage Table.

AHRI SYSTEM MATCHES - ALL REGIONS - 018-024-030-041-042-047-048-060

NOTE - For the latest up-to-date system matches please visit the AHRI web site at <http://www.ahridirectory.org>

Model No.	Expansion Device	Capacity	SEER	EER	Coil or Air Handler	Furnace	AHRI Reference
XC14-036-230A	TXV	33,400	15.10	12.50	CH35-36B	EL180UH090E48B	7514939
XC14-036-230A	TXV	33,400	15.10	12.50	CH35-36B	EL180UH090XE48B	7514940
XC14-036-230A	TXV	33,000	15.00	12.50	CH35-36B	EL195UH045XE36B	7514941
XC14-036-230A	TXV	33,000	15.00	12.50	CH35-36B	EL296UH045XE36B	7514942
XC14-036-230A	TXV	33,600	15.00	12.20	CH35-36B	EL296UH045XV36B	7514933
XC14-036-230A	TXV	33,400	15.00	12.50	CH35-36B	EL296UH070XV36B	7514934
XC14-036-230A	TXV	33,600	15.50	12.50	CH35-36B	SL280UH090V36B	7514946
XC14-036-230A	TXV	33,800	15.50	12.50	CH35-36B	SL280UH090V48B	7514947
XC14-036-230A	TXV	33,800	15.50	12.50	CH35-36B	SL280UH090XV48B	7514948
XC14-036-230A	TXV	33,400	15.00	12.50	CH35-36B	SLP98UH070XV36B	7514935
XC14-036-230A	TXV	34,000	15.50	12.50	CH35-36C	EL180UH090E60C	7514938
XC14-036-230A	TXV	33,800	15.50	12.50	CH35-36C	EL180UH110E60C	7514927
XC14-036-230A	TXV	33,800	15.50	12.50	CH35-36C	EL180UH110XE60C	7514928
XC14-036-230A	TXV	33,600	15.10	12.50	CH35-36C	EL195UH090XE48C	7514929
XC14-036-230A	TXV	34,000	15.50	12.50	CH35-36C	EL195UH110XE60C	7514931
XC14-036-230A	TXV	33,600	15.10	12.50	CH35-36C	EL296UH090XE48C	7514930
XC14-036-230A	TXV	34,000	15.50	12.50	CH35-36C	EL296UH090XV36C	7514921
XC14-036-230A	TXV	33,800	15.50	12.50	CH35-36C	EL296UH090XV48C	7514923
XC14-036-230A	TXV	34,000	15.50	12.50	CH35-36C	EL296UH110XE60C	7514932
XC14-036-230A	TXV	34,000	15.50	12.50	CH35-36C	EL296UH110XV48C	7514925
XC14-036-230A	TXV	34,400	15.50	12.50	CH35-36C	EL296UH110XV60C	7514593
XC14-036-230A	TXV	34,400	15.50	12.50	CH35-36C	SL280UH090V60C	7514591
XC14-036-230A	TXV	34,400	15.50	12.50	CH35-36C	SL280UH090XV60C	7514592
XC14-036-230A	TXV	34,200	15.50	12.50	CH35-36C	SL280UH110V60C	7514936
XC14-036-230A	TXV	34,200	15.50	12.50	CH35-36C	SL280UH110XV60C	7514937
XC14-036-230A	TXV	34,000	15.50	12.50	CH35-36C	SLP98UH090XV36C	7514922
XC14-036-230A	TXV	33,800	15.50	12.50	CH35-36C	SLP98UH090XV48C	7514924
XC14-036-230A	TXV	34,400	15.50	12.50	CH35-36C	SLP98UH110XV60C	7514926
XC14-036-230A	TXV	35,000	16.00	13.00	CH35-42B	EL180UH070E36B	7514918
XC14-036-230A	TXV	35,000	16.00	13.00	CH35-42B	EL180UH070XE36B	7514919
XC14-036-230A	TXV	35,400	16.00	13.00	CH35-42B	EL180UH090E48B	7514920
XC14-036-230A	TXV	35,400	16.00	13.00	CH35-42B	EL180UH090XE48B	7514909
XC14-036-230A	TXV	35,000	15.10	12.50	CH35-42B	EL195UH045XE36B	7514910
XC14-036-230A	TXV	35,200	15.10	12.50	CH35-42B	EL195UH070XE36B	7514912
XC14-036-230A	TXV	35,000	15.10	12.50	CH35-42B	EL296UH045XE36B	7514911
XC14-036-230A	TXV	35,400	15.50	12.50	CH35-42B	EL296UH045XV36B	7514914
XC14-036-230A	TXV	35,200	15.10	12.50	CH35-42B	EL296UH070XE36B	7514913
XC14-036-230A	TXV	35,400	15.50	12.50	CH35-42B	EL296UH070XV36B	7514903
XC14-036-230A	TXV	35,400	16.00	13.00	CH35-42B	SL280UH090V36B	7514915
XC14-036-230A	TXV	35,600	16.00	13.00	CH35-42B	SL280UH090V48B	7514916
XC14-036-230A	TXV	35,600	16.00	13.00	CH35-42B	SL280UH090XV48B	7514917
XC14-036-230A	TXV	35,400	15.50	12.50	CH35-42B	SLP98UH070XV36B	7514904
XC14-036-230A	TXV	35,000	14.50	12.20	CH35-42B		7514507
XC14-036-230A	TXV	35,200	16.00	13.00	CH35-42C	EL180UH090E60C	7514897
XC14-036-230A	TXV	35,000	16.00	13.00	CH35-42C	EL180UH110E60C	7514898
XC14-036-230A	TXV	35,000	16.00	13.00	CH35-42C	EL180UH110XE60C	7514899
XC14-036-230A	TXV	34,800	16.00	13.00	CH35-42C	EL195UH090XE48C	7514900
XC14-036-230A	TXV	35,200	16.00	13.00	CH35-42C	EL195UH110XE60C	7514902
XC14-036-230A	TXV	34,800	16.00	13.00	CH35-42C	EL296UH090XE48C	7514901

NOTES:

TXV = Matched with Thermostatic Expansion Valve.

RFC = Matched with RFC metering device.

AHRI certified to AHRI Standard 210/240 (with 25 ft. of connecting refrigerant lines); 95°F outdoor air temperature, 80°F db / 67°F wb entering evaporator air.

All ratings include the use of a blower time delay relay (TDR). All Lennox variable-speed furnaces and Air Handlers have time delay capabilities. Other Furnaces and Air Handlers may require an optional time delay relay (**58M81**) for field installation. See furnace or air handler specifications to determine if relay is needed.

Also see Expansion Valve Kit Usage Table.

AHRI SYSTEM MATCHES - ALL REGIONS - 018-024-030-041-042-047-048-060

NOTE - For the latest up-to-date system matches please visit the AHRI web site at <http://www.ahridirectory.org>

Model No.	Expansion Device	Capacity	SEER	EER	Coil or Air Handler	Furnace	AHRI Reference
XC14-036-230A	TXV	35,200	16.00	13.00	CH35-42C	EL296UH090XV36C	7514892
XC14-036-230A	TXV	35,000	16.00	13.00	CH35-42C	EL296UH090XV48C	7514894
XC14-036-230A	TXV	35,200	16.00	13.00	CH35-42C	EL296UH110XE60C	7514891
XC14-036-230A	TXV	35,200	16.00	13.00	CH35-42C	EL296UH110XV48C	7514896
XC14-036-230A	TXV	35,400	16.00	13.00	CH35-42C	EL296UH110XV60C	7514885
XC14-036-230A	TXV	35,600	16.00	13.00	CH35-42C	SL280UH090V60C	7514905
XC14-036-230A	TXV	35,600	16.00	13.00	CH35-42C	SL280UH090XV60C	7514906
XC14-036-230A	TXV	35,400	16.00	13.00	CH35-42C	SL280UH110V60C	7514907
XC14-036-230A	TXV	35,400	16.00	13.00	CH35-42C	SL280UH110XV60C	7514908
XC14-036-230A	TXV	35,200	16.00	13.00	CH35-42C	SLP98UH090XV36C	7514893
XC14-036-230A	TXV	35,000	16.00	13.00	CH35-42C	SLP98UH090XV48C	7514895
XC14-036-230A	TXV	35,400	16.00	13.00	CH35-42C	SLP98UH110XV60C	7514886
XC14-036-230A	TXV	34,600	14.50	12.20	CH35-42C		7514508
XC14-036-230A	TXV	34,800	15.10	12.50	CH35-48B	EL180UH070E36B	7514890
XC14-036-230A	TXV	34,800	15.10	12.50	CH35-48B	EL180UH070XE36B	7514879
XC14-036-230A	TXV	34,800	16.00	13.00	CH35-48B	EL180UH090E48B	7514880
XC14-036-230A	TXV	34,800	16.00	13.00	CH35-48B	EL180UH090XE48B	7514881
XC14-036-230A	TXV	34,400	15.00	12.20	CH35-48B	EL195UH045XE36B	7514882
XC14-036-230A	TXV	34,600	15.00	12.50	CH35-48B	EL195UH070XE36B	7514884
XC14-036-230A	TXV	34,400	15.00	12.20	CH35-48B	EL296UH045XE36B	7514883
XC14-036-230A	TXV	35,000	15.10	12.50	CH35-48B	EL296UH045XV36B	7514874
XC14-036-230A	TXV	34,600	15.00	12.50	CH35-48B	EL296UH070XE36B	7514873
XC14-036-230A	TXV	34,800	15.50	12.50	CH35-48B	EL296UH070XV36B	7514875
XC14-036-230A	TXV	35,000	16.00	13.00	CH35-48B	SL280UH090V36B	7514887
XC14-036-230A	TXV	35,000	16.00	13.00	CH35-48B	SL280UH090V48B	7514888
XC14-036-230A	TXV	35,000	16.00	13.00	CH35-48B	SL280UH090XV48B	7514889
XC14-036-230A	TXV	34,800	15.50	12.50	CH35-48B	SLP98UH070XV36B	7514876
XC14-036-230A	TXV	34,400	14.50	12.20	CH35-48B		7514497
XC14-036-230A	TXV	35,000	16.00	13.00	CH35-48C	EL180UH090E60C	7514869
XC14-036-230A	TXV	35,000	16.00	13.00	CH35-48C	EL180UH110E60C	7514870
XC14-036-230A	TXV	35,000	16.00	13.00	CH35-48C	EL180UH110XE60C	7514871
XC14-036-230A	TXV	34,800	16.00	13.00	CH35-48C	EL195UH090XE48C	7514872
XC14-036-230A	TXV	35,000	16.00	13.00	CH35-48C	EL195UH110XE60C	7514862
XC14-036-230A	TXV	34,800	16.00	13.00	CH35-48C	EL296UH090XE48C	7514861
XC14-036-230A	TXV	35,000	16.00	13.00	CH35-48C	EL296UH090XV36C	7514864
XC14-036-230A	TXV	34,800	16.00	13.00	CH35-48C	EL296UH090XV48C	7514866
XC14-036-230A	TXV	35,000	16.00	13.00	CH35-48C	EL296UH110XE60C	7514863
XC14-036-230A	TXV	35,000	16.00	13.00	CH35-48C	EL296UH110XV48C	7514856
XC14-036-230A	TXV	35,400	16.00	13.00	CH35-48C	EL296UH110XV60C	7514857
XC14-036-230A	TXV	35,400	16.00	13.00	CH35-48C	SL280UH090V60C	7514877
XC14-036-230A	TXV	35,400	16.00	13.00	CH35-48C	SL280UH090XV60C	7514878
XC14-036-230A	TXV	35,400	16.00	13.00	CH35-48C	SL280UH110V60C	7514867
XC14-036-230A	TXV	35,400	16.00	13.00	CH35-48C	SL280UH110XV60C	7514868
XC14-036-230A	TXV	35,000	16.00	13.00	CH35-48C	SLP98UH090XV36C	7514865
XC14-036-230A	TXV	34,800	16.00	13.00	CH35-48C	SLP98UH090XV48C	7514855
XC14-036-230A	TXV	35,400	16.00	13.00	CH35-48C	SLP98UH110XV60C	7514858
XC14-036-230A	TXV	34,400	14.50	12.20	CH35-48C		7514498
XC14-036-230A	TXV	35,400	16.00	13.00	CH35-51C	EL180UH090E60C	7514851
XC14-036-230A	TXV	35,400	16.00	13.00	CH35-51C	EL180UH110E60C	7514852

NOTES:

TXV = Matched with Thermostatic Expansion Valve.

RFC = Matched with RFC metering device.

AHRI certified to AHRI Standard 210/240 (with 25 ft. of connecting refrigerant lines); 95°F outdoor air temperature, 80°F db / 67°F wb entering evaporator air.

All ratings include the use of a blower time delay relay (TDR). All Lennox variable-speed furnaces and Air Handlers have time delay capabilities. Other Furnaces and Air Handlers may require an optional time delay relay (**58M81**) for field installation. See furnace or air handler specifications to determine if relay is needed.

Also see Expansion Valve Kit Usage Table.

AHRI SYSTEM MATCHES - ALL REGIONS - 018-024-030-041-042-047-048-060

NOTE - For the latest up-to-date system matches please visit the AHRI web site at <http://www.ahridirectory.org>

Model No.	Expansion Device	Capacity	SEER	EER	Coil or Air Handler	Furnace	AHRI Reference
XC14-036-230A	TXV	35,400	16.00	13.00	CH35-51C	EL180UH110XE60C	7514853
XC14-036-230A	TXV	35,200	16.00	13.00	CH35-51C	EL195UH090XE48C	7514854
XC14-036-230A	TXV	35,400	16.00	13.00	CH35-51C	EL195UH110XE60C	7514844
XC14-036-230A	TXV	35,200	16.00	13.00	CH35-51C	EL296UH090XE48C	7514843
XC14-036-230A	TXV	35,400	16.00	13.00	CH35-51C	EL296UH090XV36C	7514846
XC14-036-230A	TXV	35,200	16.00	13.00	CH35-51C	EL296UH090XV48C	7514848
XC14-036-230A	TXV	35,400	16.00	13.00	CH35-51C	EL296UH110XE60C	7514845
XC14-036-230A	TXV	35,400	16.00	13.00	CH35-51C	EL296UH110XV48C	7514838
XC14-036-230A	TXV	35,800	16.00	13.00	CH35-51C	EL296UH110XV60C	7514839
XC14-036-230A	TXV	36,000	16.00	13.00	CH35-51C	SL280UH090V60C	7514859
XC14-036-230A	TXV	36,000	16.00	13.00	CH35-51C	SL280UH090XV60C	7514860
XC14-036-230A	TXV	35,800	16.00	13.00	CH35-51C	SL280UH110V60C	7514849
XC14-036-230A	TXV	35,800	16.00	13.00	CH35-51C	SL280UH110XV60C	7514850
XC14-036-230A	TXV	35,400	16.00	13.00	CH35-51C	SLP98UH090XV36C	7514847
XC14-036-230A	TXV	35,200	16.00	13.00	CH35-51C	SLP98UH090XV48C	7514837
XC14-036-230A	TXV	35,800	16.00	13.00	CH35-51C	SLP98UH110XV60C	7514840
XC14-036-230A	TXV	34,800	14.50	12.20	CH35-51C		7514499
XC14-036-230A	TXV	33,600	14.50	12.20	CR33-30/36A	EL180DF045E36A	7514842
XC14-036-230A	TXV	33,600	15.00	12.50	CR33-30/36A	SL280DF070V36A	7514841
XC14-036-230A	TXV	33,600	15.50	12.50	CR33-30/36B	EL180DF070E36B	7514832
XC14-036-230A	TXV	33,600	15.10	12.50	CR33-30/36B	EL180DF090E48B	7514833
XC14-036-230A	TXV	33,600	15.10	12.50	CR33-30/36B	EL195DF070XE48B	7514836
XC14-036-230A	TXV	33,600	15.00	12.20	CR33-30/36B	EL296DF045XV36B	7514826
XC14-036-230A	TXV	33,600	15.10	12.50	CR33-30/36B	EL296DF070XE48B	7514825
XC14-036-230A	TXV	33,600	14.50	12.20	CR33-30/36B	EL296DF070XV48B	7514827
XC14-036-230A	TXV	33,800	15.10	12.50	CR33-30/36B	SL280DF090V48B	7514831
XC14-036-230A	TXV	33,800	15.00	12.50	CR33-30/36B	SLP98DF070XV36B	7514828
XC14-036-230A	TXV	33,800	15.50	12.50	CR33-30/36C	EL180DF110E60C	7514830
XC14-036-230A	TXV	33,600	15.10	12.50	CR33-30/36C	EL195DF090XE48C	7514819
XC14-036-230A	TXV	33,600	15.10	12.50	CR33-30/36C	EL195DF110XE60C	7514821
XC14-036-230A	TXV	33,600	15.10	12.50	CR33-30/36C	EL296DF090XE48C	7615399
XC14-036-230A	TXV	34,000	15.10	12.50	CR33-30/36C	EL296DF090XV60C	7615396
XC14-036-230A	TXV	33,600	15.10	12.50	CR33-30/36C	EL296DF110XE60C	7615400
XC14-036-230A	TXV	34,000	15.10	12.50	CR33-30/36C	EL296DF110XV60C	7615397
XC14-036-230A	TXV	34,000	15.50	12.50	CR33-30/36C	SL280DF110V60C	7514829
XC14-036-230A	TXV	33,800	15.10	12.50	CR33-30/36C	SLP98DF090XV36C	7514823
XC14-036-230A	TXV	33,800	15.10	12.50	CR33-30/36C	SLP98DF090XV48C	7514824
XC14-036-230A	TXV	34,000	15.10	12.50	CR33-30/36C	SLP98DF090XV60C	7514814
XC14-036-230A	TXV	34,000	15.10	12.50	CR33-30/36C	SLP98DF110XV60C	7514816
XC14-036-230A	TXV	34,200	15.00	12.50	CR33-48B	EL180DF070E36B	7514595
XC14-036-230A	TXV	34,200	15.50	12.50	CR33-48B	EL180DF090E48B	7514596
XC14-036-230A	TXV	34,000	15.10	12.50	CR33-48B	EL195DF045XE36B	7514585
XC14-036-230A	TXV	34,000	15.50	12.50	CR33-48B	EL195DF070XE48B	7514587
XC14-036-230A	TXV	34,000	15.50	12.50	CR33-48B	EL296DF045XE36B	7514586
XC14-036-230A	TXV	34,200	15.10	12.50	CR33-48B	EL296DF045XV36B	7622667
XC14-036-230A	TXV	34,000	15.50	12.50	CR33-48B	EL296DF070XE48B	7514588
XC14-036-230A	TXV	34,200	15.10	12.50	CR33-48B	EL296DF070XV48B	7514590
XC14-036-230A	TXV	34,600	15.50	12.50	CR33-48B	SL280DF090V48B	7514594
XC14-036-230A	TXV	34,000	15.50	12.50	CR33-48B	SLP98DF070XV36B	7514579

NOTES:

TXV = Matched with Thermostatic Expansion Valve.

RFC = Matched with RFC metering device.

AHRI certified to AHRI Standard 210/240 (with 25 ft. of connecting refrigerant lines); 95°F outdoor air temperature, 80°F db / 67°F wb entering evaporator air.

All ratings include the use of a blower time delay relay (TDR). All Lennox variable-speed furnaces and Air Handlers have time delay capabilities. Other Furnaces and Air Handlers may require an optional time delay relay (**58M81**) for field installation. See furnace or air handler specifications to determine if relay is needed.

Also see Expansion Valve Kit Usage Table.

AHRI SYSTEM MATCHES - ALL REGIONS - 018-024-030-041-042-047-048-060

NOTE - For the latest up-to-date system matches please visit the AHRI web site at <http://www.ahridirectory.org>

Model No.	Expansion Device	Capacity	SEER	EER	Coil or Air Handler	Furnace	AHRI Reference
XC14-036-230A	TXV	34,400	16.00	13.00	CR33-48C	EL180DF110E60C	7514581
XC14-036-230A	TXV	34,200	15.50	12.50	CR33-48C	EL195DF090XE48C	7514582
XC14-036-230A	TXV	34,200	15.50	12.50	CR33-48C	EL195DF110XE60C	7514584
XC14-036-230A	TXV	34,200	15.50	12.50	CR33-48C	EL296DF090XE48C	7514583
XC14-036-230A	TXV	34,600	15.50	12.50	CR33-48C	EL296DF090XV60C	7514576
XC14-036-230A	TXV	34,200	15.50	12.50	CR33-48C	EL296DF110XE60C	7514573
XC14-036-230A	TXV	34,600	15.50	12.50	CR33-48C	EL296DF110XV60C	7514578
XC14-036-230A	TXV	34,600	16.00	13.00	CR33-48C	SL280DF110V60C	7514580
XC14-036-230A	TXV	34,400	15.50	12.50	CR33-48C	SLP98DF090XV36C	7514574
XC14-036-230A	TXV	34,400	16.00	13.00	CR33-48C	SLP98DF090XV48C	7514575
XC14-036-230A	TXV	34,600	15.50	12.50	CR33-48C	SLP98DF090XV60C	7514577
XC14-036-230A	TXV	34,600	15.50	12.50	CR33-48C	SLP98DF110XV60C	7514567
XC14-036-230A	TXV	34,200	15.10	12.50	CX34-31A	EL180UH045E36A	7514807
XC14-036-230A	TXV	34,200	15.10	12.50	CX34-31A	EL180UH045XE36A	7514808
XC14-036-230A	TXV	34,400	15.10	12.50	CX34-31A	SL280UH070V36A	7514817
XC14-036-230A	TXV	34,400	15.10	12.50	CX34-31A	SL280UH070XV36A	7514818
XC14-036-230A	TXV	34,400	15.00	12.50	CX34-31B	EL180UH070E36B	7514812
XC14-036-230A	TXV	34,400	15.00	12.50	CX34-31B	EL180UH070XE36B	7514801
XC14-036-230A	TXV	34,400	15.50	12.50	CX34-31B	EL180UH090E48B	7514802
XC14-036-230A	TXV	34,400	15.50	12.50	CX34-31B	EL180UH090XE48B	7514803
XC14-036-230A	TXV	34,000	14.50	12.20	CX34-31B	EL195UH045XE36B	7514804
XC14-036-230A	TXV	34,000	15.10	12.50	CX34-31B	EL195UH070XE36B	7514806
XC14-036-230A	TXV	34,000	14.50	12.20	CX34-31B	EL296UH045XE36B	7514805
XC14-036-230A	TXV	34,200	15.10	12.50	CX34-31B	EL296UH045XV36B	7514796
XC14-036-230A	TXV	34,000	15.10	12.50	CX34-31B	EL296UH070XE36B	7514795
XC14-036-230A	TXV	34,200	15.10	12.50	CX34-31B	EL296UH070XV36B	7514797
XC14-036-230A	TXV	34,400	15.50	12.50	CX34-31B	SL280UH090V36B	7514809
XC14-036-230A	TXV	34,400	15.50	12.50	CX34-31B	SL280UH090V48B	7514810
XC14-036-230A	TXV	34,400	15.50	12.50	CX34-31B	SL280UH090XV48B	7514811
XC14-036-230A	TXV	34,200	15.10	12.50	CX34-31B	SLP98UH070XV36B	7514798
XC14-036-230A	TXV	33,200	14.50	12.20	CX34-36A	EL180UH045E36A	7514789
XC14-036-230A	TXV	33,200	14.50	12.20	CX34-36A	EL180UH045XE36A	7514790
XC14-036-230A	TXV	33,400	15.00	12.20	CX34-36A	SL280UH070V36A	7514799
XC14-036-230A	TXV	33,400	15.00	12.20	CX34-36A	SL280UH070XV36A	7514800
XC14-036-230A	TXV	33,400	15.50	12.50	CX34-36B	EL180UH070E36B	7514794
XC14-036-230A	TXV	33,400	15.50	12.50	CX34-36B	EL180UH070XE36B	7514783
XC14-036-230A	TXV	33,400	15.10	12.50	CX34-36B	EL180UH090E48B	7514784
XC14-036-230A	TXV	33,400	15.10	12.50	CX34-36B	EL180UH090XE48B	7514785
XC14-036-230A	TXV	33,000	15.00	12.50	CX34-36B	EL195UH045XE36B	7514786
XC14-036-230A	TXV	33,000	15.00	12.50	CX34-36B	EL296UH045XE36B	7514787
XC14-036-230A	TXV	33,400	15.00	12.50	CX34-36B	EL296UH045XV36B	7514778
XC14-036-230A	TXV	33,400	15.00	12.50	CX34-36B	EL296UH070XV36B	7514779
XC14-036-230A	TXV	33,600	15.50	12.50	CX34-36B	SL280UH090V36B	7514791
XC14-036-230A	TXV	33,600	15.50	12.50	CX34-36B	SL280UH090V48B	7514792
XC14-036-230A	TXV	33,600	15.50	12.50	CX34-36B	SL280UH090XV48B	7514793
XC14-036-230A	TXV	33,400	15.00	12.50	CX34-36B	SLP98UH070XV36B	7514780
XC14-036-230A	TXV	33,600	15.10	12.50	CX34-36C	EL180UH090E60C	7514781
XC14-036-230A	TXV	33,400	15.50	12.50	CX34-36C	EL180UH110E60C	7514782
XC14-036-230A	TXV	33,400	15.50	12.50	CX34-36C	EL180UH110XE60C	7514771

NOTES:

TXV = Matched with Thermostatic Expansion Valve.

RFC = Matched with RFC metering device.

AHRI certified to AHRI Standard 210/240 (with 25 ft. of connecting refrigerant lines); 95°F outdoor air temperature, 80°F db / 67°F wb entering evaporator air.

All ratings include the use of a blower time delay relay (TDR). All Lennox variable-speed furnaces and Air Handlers have time delay capabilities. Other Furnaces and Air Handlers may require an optional time delay relay (**58M81**) for field installation. See furnace or air handler specifications to determine if relay is needed.

Also see Expansion Valve Kit Usage Table.

AHRI SYSTEM MATCHES - ALL REGIONS - 018-024-030-041-042-047-048-060

NOTE - For the latest up-to-date system matches please visit the AHRI web site at <http://www.ahridirectory.org>

Model No.	Expansion Device	Capacity	SEER	EER	Coil or Air Handler	Furnace	AHRI Reference
XC14-036-230A	TXV	33,200	15.10	12.50	CX34-36C	EL195UH090XE48C	7514772
XC14-036-230A	TXV	33,600	15.10	12.50	CX34-36C	EL195UH110XE60C	7514774
XC14-036-230A	TXV	33,200	15.10	12.50	CX34-36C	EL296UH090XE48C	7514773
XC14-036-230A	TXV	33,600	15.50	12.50	CX34-36C	EL296UH090XV36C	7514776
XC14-036-230A	TXV	33,400	15.50	12.50	CX34-36C	EL296UH090XV48C	7514766
XC14-036-230A	TXV	33,600	15.10	12.50	CX34-36C	EL296UH110XE60C	7514775
XC14-036-230A	TXV	33,600	15.50	12.50	CX34-36C	EL296UH110XV48C	7514768
XC14-036-230A	TXV	33,600	15.50	12.50	CX34-36C	SLP98UH090XV36C	7514765
XC14-036-230A	TXV	33,400	15.50	12.50	CX34-36C	SLP98UH090XV48C	7514767
XC14-036-230A	TXV	33,800	15.50	12.50	CX34-36C	SLP98UH110XV60C	7514568
XC14-036-230A	TXV	34,400	15.10	12.50	CX34-38A	EL180UH045E36A	7514759
XC14-036-230A	TXV	34,400	15.10	12.50	CX34-38A	EL180UH045XE36A	7514760
XC14-036-230A	TXV	34,600	15.50	12.50	CX34-38A	SL280UH070V36A	7514769
XC14-036-230A	TXV	34,600	15.50	12.50	CX34-38A	SL280UH070XV36A	7514770
XC14-036-230A	TXV	34,200	14.50	12.20	CX34-38A		7514495
XC14-036-230A	TXV	34,600	15.50	12.50	CX34-38B	CBWMV-36B-070	8581798
XC14-036-230A	TXV	34,600	16.00	13.00	CX34-38B	EL180UH070E36B	7514764
XC14-036-230A	TXV	34,600	16.00	13.00	CX34-38B	EL180UH070XE36B	7514753
XC14-036-230A	TXV	34,600	15.50	12.50	CX34-38B	EL180UH090E48B	7514754
XC14-036-230A	TXV	34,600	15.50	12.50	CX34-38B	EL180UH090XE48B	7514755
XC14-036-230A	TXV	34,400	15.00	12.50	CX34-38B	EL195UH045XE36B	7514756
XC14-036-230A	TXV	34,400	15.00	12.50	CX34-38B	EL195UH070XE36B	7514758
XC14-036-230A	TXV	34,400	15.00	12.50	CX34-38B	EL296UH045XE36B	7514757
XC14-036-230A	TXV	34,600	15.50	12.50	CX34-38B	EL296UH045XV36B	7514748
XC14-036-230A	TXV	34,400	15.00	12.50	CX34-38B	EL296UH070XE36B	7514747
XC14-036-230A	TXV	34,600	15.50	12.50	CX34-38B	EL296UH070XV36B	7514749
XC14-036-230A	TXV	34,800	16.00	13.00	CX34-38B	SL280UH090V36B	7514761
XC14-036-230A	TXV	34,800	16.00	13.00	CX34-38B	SL280UH090V48B	7514762
XC14-036-230A	TXV	34,800	16.00	13.00	CX34-38B	SL280UH090XV48B	7514763
XC14-036-230A	TXV	34,600	15.50	12.50	CX34-38B	SLP98UH070XV36B	7514750
XC14-036-230A	TXV	34,200	14.25	12.20	CX34-38B		7514467
XC14-036-230A	TXV	33,400	15.50	12.50	CX34-42	EL180UH070E36B	7514572
XC14-036-230A	TXV	33,400	15.50	12.50	CX34-42	EL180UH070XE36B	7514561
XC14-036-230A	TXV	33,400	15.10	12.50	CX34-42	EL180UH090E48B	7514562
XC14-036-230A	TXV	33,400	15.10	12.50	CX34-42	EL180UH090XE48B	7514563
XC14-036-230A	TXV	33,000	15.00	12.50	CX34-42	EL195UH045XE36B	7514564
XC14-036-230A	TXV	33,000	15.00	12.50	CX34-42	EL296UH045XE36B	7514565
XC14-036-230A	TXV	33,400	15.00	12.50	CX34-42	EL296UH045XV36B	7514556
XC14-036-230A	TXV	33,400	15.00	12.50	CX34-42	EL296UH070XV36B	7514557
XC14-036-230A	TXV	33,600	15.50	12.50	CX34-42	SL280UH090V36B	7514569
XC14-036-230A	TXV	33,600	15.50	12.50	CX34-42	SL280UH090V48B	7514570
XC14-036-230A	TXV	33,600	15.50	12.50	CX34-42	SL280UH090XV48B	7514571
XC14-036-230A	TXV	33,400	15.00	12.50	CX34-42	SLP98UH070XV36B	7514558
XC14-036-230A	TXV	34,800	16.00	13.00	CX34-43B	EL180UH070E36B	7514742
XC14-036-230A	TXV	34,800	16.00	13.00	CX34-43B	EL180UH070XE36B	7514743
XC14-036-230A	TXV	34,800	16.00	13.00	CX34-43B	EL180UH090E48B	7514744
XC14-036-230A	TXV	34,800	16.00	13.00	CX34-43B	EL180UH090XE48B	7514745
XC14-036-230A	TXV	34,400	15.00	12.50	CX34-43B	EL195UH045XE36B	7514746
XC14-036-230A	TXV	34,600	15.10	12.50	CX34-43B	EL195UH070XE36B	7514736

NOTES:

TXV = Matched with Thermostatic Expansion Valve.

RFC = Matched with RFC metering device.

AHRI certified to AHRI Standard 210/240 (with 25 ft. of connecting refrigerant lines); 95°F outdoor air temperature, 80°F db / 67°F wb entering evaporator air. All ratings include the use of a blower time delay relay (TDR). All Lennox variable-speed furnaces and Air Handlers have time delay capabilities. Other Furnaces and Air Handlers may require an optional time delay relay (**58M81**) for field installation. See furnace or air handler specifications to determine if relay is needed.

Also see Expansion Valve Kit Usage Table.

AHRI SYSTEM MATCHES - ALL REGIONS - 018-024-030-041-042-047-048-060

NOTE - For the latest up-to-date system matches please visit the AHRI web site at <http://www.ahridirectory.org>

Model No.	Expansion Device	Capacity	SEER	EER	Coil or Air Handler	Furnace	AHRI Reference
XC14-036-230A	TXV	34,400	15.00	12.50	CX34-43B	EL296UH045XE36B	7514735
XC14-036-230A	TXV	34,800	15.50	12.50	CX34-43B	EL296UH045XV36B	7514738
XC14-036-230A	TXV	34,600	15.10	12.50	CX34-43B	EL296UH070XE36B	7514737
XC14-036-230A	TXV	34,800	15.50	12.50	CX34-43B	EL296UH070XV36B	7514739
XC14-036-230A	TXV	34,800	16.00	13.00	CX34-43B	SL280UH090V36B	7514751
XC14-036-230A	TXV	35,000	16.00	13.00	CX34-43B	SL280UH090V48B	7514752
XC14-036-230A	TXV	35,000	16.00	13.00	CX34-43B	SL280UH090XV48B	7514741
XC14-036-230A	TXV	34,800	15.50	12.50	CX34-43B	SLP98UH070XV36B	7514740
XC14-036-230A	TXV	34,400	14.50	12.20	CX34-43B		7514496
XC14-036-230A	TXV	34,800	16.00	13.00	CX34-43C	EL180UH090E60C	7514733
XC14-036-230A	TXV	34,800	16.00	13.00	CX34-43C	EL180UH110E60C	7514734
XC14-036-230A	TXV	34,800	16.00	13.00	CX34-43C	EL180UH110XE60C	7514723
XC14-036-230A	TXV	34,600	15.50	12.50	CX34-43C	EL195UH090XE48C	7514724
XC14-036-230A	TXV	34,800	16.00	13.00	CX34-43C	EL195UH110XE60C	7514726
XC14-036-230A	TXV	34,600	15.50	12.50	CX34-43C	EL296UH090XE48C	7514725
XC14-036-230A	TXV	34,800	16.00	13.00	CX34-43C	EL296UH090XV36C	7514728
XC14-036-230A	TXV	34,800	16.00	13.00	CX34-43C	EL296UH090XV48C	7514718
XC14-036-230A	TXV	34,600	16.00	13.00	CX34-43C	EL296UH110XE60C	7514727
XC14-036-230A	TXV	35,000	16.00	13.00	CX34-43C	EL296UH110XV48C	7514720
XC14-036-230A	TXV	35,200	16.00	13.00	CX34-43C	EL296UH110XV60C	7514721
XC14-036-230A	TXV	35,400	16.00	13.00	CX34-43C	SL280UH090V60C	7514729
XC14-036-230A	TXV	35,400	16.00	13.00	CX34-43C	SL280UH090XV60C	7514730
XC14-036-230A	TXV	35,200	16.00	13.00	CX34-43C	SL280UH110V60C	7514731
XC14-036-230A	TXV	35,200	16.00	13.00	CX34-43C	SL280UH110XV60C	7514732
XC14-036-230A	TXV	34,800	16.00	13.00	CX34-43C	SLP98UH090XV36C	7514717
XC14-036-230A	TXV	34,800	16.00	13.00	CX34-43C	SLP98UH090XV48C	7514719
XC14-036-230A	TXV	35,200	16.00	13.00	CX34-43C	SLP98UH110XV60C	7514722
XC14-036-230A	TXV	34,400	14.50	12.20	CX34-43C		7514485
XC14-036-230A	TXV	34,200	16.00	13.00	CX34-44/48B	EL180UH070E36B	7514714
XC14-036-230A	TXV	34,200	16.00	13.00	CX34-44/48B	EL180UH070XE36B	7514715
XC14-036-230A	TXV	34,200	15.50	12.50	CX34-44/48B	EL180UH090E48B	7614656
XC14-036-230A	TXV	34,200	15.50	12.50	CX34-44/48B	EL180UH090XE48B	7514705
XC14-036-230A	TXV	33,800	15.10	12.50	CX34-44/48B	EL195UH045XE36B	7514706
XC14-036-230A	TXV	34,200	15.00	12.50	CX34-44/48B	EL195UH070XE36B	7514708
XC14-036-230A	TXV	33,800	15.10	12.50	CX34-44/48B	EL296UH045XE36B	7514707
XC14-036-230A	TXV	34,200	15.10	12.50	CX34-44/48B	EL296UH045XV36B	7514710
XC14-036-230A	TXV	34,200	15.00	12.50	CX34-44/48B	EL296UH070XE36B	7514709
XC14-036-230A	TXV	34,200	15.10	12.50	CX34-44/48B	EL296UH070XV36B	7614669
XC14-036-230A	TXV	34,400	16.00	13.00	CX34-44/48B	SL280UH090V36B	7514711
XC14-036-230A	TXV	34,400	16.00	13.00	CX34-44/48B	SL280UH090V48B	7514712
XC14-036-230A	TXV	34,400	16.00	13.00	CX34-44/48B	SL280UH090XV48B	7514713
XC14-036-230A	TXV	34,200	15.10	12.50	CX34-44/48B	SLP98UH070XV36B	7514700
XC14-036-230A	TXV	34,400	15.50	12.50	CX34-44/48C	EL180UH090E60C	7514693
XC14-036-230A	TXV	34,400	16.00	13.00	CX34-44/48C	EL180UH110E60C	7514694
XC14-036-230A	TXV	34,400	16.00	13.00	CX34-44/48C	EL180UH110XE60C	7514695
XC14-036-230A	TXV	34,200	15.50	12.50	CX34-44/48C	EL195UH090XE48C	7514696
XC14-036-230A	TXV	34,400	15.50	12.50	CX34-44/48C	EL195UH110XE60C	7514698
XC14-036-230A	TXV	34,200	15.50	12.50	CX34-44/48C	EL296UH090XE48C	7514697
XC14-036-230A	TXV	34,400	15.50	12.50	CX34-44/48C	EL296UH090XV36C	7514688

NOTES:

TXV = Matched with Thermostatic Expansion Valve.

RFC = Matched with RFC metering device.

AHRI certified to AHRI Standard 210/240 (with 25 ft. of connecting refrigerant lines); 95°F outdoor air temperature, 80°F db / 67°F wb entering evaporator air.

All ratings include the use of a blower time delay relay (TDR). All Lennox variable-speed furnaces and Air Handlers have time delay capabilities. Other Furnaces and Air Handlers may require an optional time delay relay (**58M81**) for field installation. See furnace or air handler specifications to determine if relay is needed.

Also see Expansion Valve Kit Usage Table.

AHRI SYSTEM MATCHES - ALL REGIONS - 018-024-030-041-042-047-048-060

NOTE - For the latest up-to-date system matches please visit the AHRI web site at <http://www.ahridirectory.org>

Model No.	Expansion Device	Capacity	SEER	EER	Coil or Air Handler	Furnace	AHRI Reference
XC14-036-230A	TXV	34,200	16.00	13.00	CX34-44/48C	EL296UH090XV48C	7514690
XC14-036-230A	TXV	34,200	15.50	12.50	CX34-44/48C	EL296UH110XE60C	7514687
XC14-036-230A	TXV	34,400	16.00	13.00	CX34-44/48C	EL296UH110XV48C	7514692
XC14-036-230A	TXV	34,800	16.00	13.00	CX34-44/48C	EL296UH110XV60C	7514681
XC14-036-230A	TXV	34,800	16.00	13.00	CX34-44/48C	SL280UH090V60C	7514701
XC14-036-230A	TXV	34,800	16.00	13.00	CX34-44/48C	SL280UH090XV60C	7514702
XC14-036-230A	TXV	34,600	15.50	12.50	CX34-44/48C	SL280UH110V60C	7514703
XC14-036-230A	TXV	34,600	15.50	12.50	CX34-44/48C	SL280UH110XV60C	7514704
XC14-036-230A	TXV	34,400	15.50	12.50	CX34-44/48C	SLP98UH090XV36C	7514689
XC14-036-230A	TXV	34,200	16.00	13.00	CX34-44/48C	SLP98UH090XV48C	7514691
XC14-036-230A	TXV	34,800	16.00	13.00	CX34-44/48C	SLP98UH110XV60C	7514682
XC14-036-230A	TXV	35,200	16.00	13.00	CX34-49	EL180UH090E60C	7514551
XC14-036-230A	TXV	35,000	16.00	13.00	CX34-49	EL180UH110E60C	7514552
XC14-036-230A	TXV	35,000	16.00	13.00	CX34-49	EL180UH110XE60C	7514553
XC14-036-230A	TXV	34,800	16.00	13.00	CX34-49	EL195UH090XE48C	7514554
XC14-036-230A	TXV	35,200	16.00	13.00	CX34-49	EL195UH110XE60C	7514544
XC14-036-230A	TXV	34,800	16.00	13.00	CX34-49	EL296UH090XE48C	7514543
XC14-036-230A	TXV	35,200	16.00	13.00	CX34-49	EL296UH090XV36C	7514546
XC14-036-230A	TXV	35,000	16.00	13.00	CX34-49	EL296UH090XV48C	7514548
XC14-036-230A	TXV	35,200	16.00	13.00	CX34-49	EL296UH110XE60C	7514545
XC14-036-230A	TXV	35,200	16.00	13.00	CX34-49	EL296UH110XV48C	7514540
XC14-036-230A	TXV	35,600	16.00	13.00	CX34-49	EL296UH110XV60C	7514541
XC14-036-230A	TXV	35,600	16.00	13.00	CX34-49	SL280UH090V60C	7514559
XC14-036-230A	TXV	35,600	16.00	13.00	CX34-49	SL280UH090XV60C	7514560
XC14-036-230A	TXV	35,400	16.00	13.00	CX34-49	SL280UH110V60C	7514549
XC14-036-230A	TXV	35,400	16.00	13.00	CX34-49	SL280UH110XV60C	7514550
XC14-036-230A	TXV	35,200	16.00	13.00	CX34-49	SLP98UH090XV36C	7514547
XC14-036-230A	TXV	35,000	16.00	13.00	CX34-49	SLP98UH090XV48C	7514539
XC14-036-230A	TXV	35,600	16.00	13.00	CX34-49	SLP98UH110XV60C	7514542
XC14-036-230A	TXV	34,600	14.50	12.20	CX34-49		7514478
XC14-036-230A	TXV	34,800	16.00	13.00	CX34-50/60C	EL180UH090E60C	7514675
XC14-036-230A	TXV	34,800	16.00	13.00	CX34-50/60C	EL180UH110E60C	7514676
XC14-036-230A	TXV	34,800	16.00	13.00	CX34-50/60C	EL180UH110XE60C	7514677
XC14-036-230A	TXV	34,600	15.50	12.50	CX34-50/60C	EL195UH090XE48C	7514678
XC14-036-230A	TXV	34,800	16.00	13.00	CX34-50/60C	EL195UH110XE60C	7514680
XC14-036-230A	TXV	34,600	15.50	12.50	CX34-50/60C	EL296UH090XE48C	7514679
XC14-036-230A	TXV	34,800	16.00	13.00	CX34-50/60C	EL296UH090XV36C	7514670
XC14-036-230A	TXV	34,800	16.00	13.00	CX34-50/60C	EL296UH090XV48C	7514672
XC14-036-230A	TXV	34,800	16.00	13.00	CX34-50/60C	EL296UH110XE60C	7514669
XC14-036-230A	TXV	35,000	16.00	13.00	CX34-50/60C	EL296UH110XV48C	7514674
XC14-036-230A	TXV	35,200	16.00	13.00	CX34-50/60C	EL296UH110XV60C	7514663
XC14-036-230A	TXV	35,200	16.00	13.00	CX34-50/60C	SL280UH090V60C	7514683
XC14-036-230A	TXV	35,200	16.00	13.00	CX34-50/60C	SL280UH090XV60C	7514684
XC14-036-230A	TXV	35,000	16.00	13.00	CX34-50/60C	SL280UH110V60C	7514685
XC14-036-230A	TXV	35,000	16.00	13.00	CX34-50/60C	SL280UH110XV60C	7514686
XC14-036-230A	TXV	34,800	16.00	13.00	CX34-50/60C	SLP98UH090XV36C	7514671
XC14-036-230A	TXV	34,800	16.00	13.00	CX34-50/60C	SLP98UH090XV48C	7514673
XC14-036-230A	TXV	35,200	16.00	13.00	CX34-50/60C	SLP98UH110XV60C	7514664
XC14-036-230A	TXV	34,200	14.50	12.20	CX34-50/60C		7514488

NOTES:

TXV = Matched with Thermostatic Expansion Valve.

RFC = Matched with RFC metering device.

AHRI certified to AHRI Standard 210/240 (with 25 ft. of connecting refrigerant lines); 95°F outdoor air temperature, 80°F db / 67°F wb entering evaporator air.

All ratings include the use of a blower time delay relay (TDR). All Lennox variable-speed furnaces and Air Handlers have time delay capabilities. Other Furnaces and Air Handlers may require an optional time delay relay (**58M81**) for field installation. See furnace or air handler specifications to determine if relay is needed.

Also see Expansion Valve Kit Usage Table.

AHRI SYSTEM MATCHES - ALL REGIONS - 018-024-030-041-042-047-048-060

NOTE - For the latest up-to-date system matches please visit the AHRI web site at <http://www.ahridirectory.org>

Model No.	Expansion Device	Capacity	SEER	EER	Coil or Air Handler	Furnace	AHRI Reference
XC14-036-230A	TXV	33,200	14.50	12.20	CX35-30/36A	EL180UH045E36A	8265940
XC14-036-230A	TXV	33,200	14.50	12.20	CX35-30/36A	EL180UH045XE36A	8265941
XC14-036-230A	TXV	33,400	15.00	12.20	CX35-30/36A	SL280UH070V36A	8265942
XC14-036-230A	TXV	33,400	15.00	12.20	CX35-30/36A	SL280UH070XV36A	8265943
XC14-036-230A	TXV	33,400	15.50	12.50	CX35-30/36B	EL180UH070E36B	8265955
XC14-036-230A	TXV	33,400	15.50	12.50	CX35-30/36B	EL180UH070XE36B	8265947
XC14-036-230A	TXV	33,400	15.10	12.50	CX35-30/36B	EL180UH090E48B	8265948
XC14-036-230A	TXV	33,400	15.10	12.50	CX35-30/36B	EL180UH090XE48B	8265949
XC14-036-230A	TXV	33,000	15.00	12.50	CX35-30/36B	EL195UH045XE36B	8265950
XC14-036-230A	TXV	33,000	15.00	12.50	CX35-30/36B	EL296UH045XE36B	8265951
XC14-036-230A	TXV	33,400	15.00	12.50	CX35-30/36B	EL296UH045XV36B	8265944
XC14-036-230A	TXV	33,400	15.00	12.50	CX35-30/36B	EL296UH070XV36B	8265945
XC14-036-230A	TXV	33,600	15.50	12.50	CX35-30/36B	SL280UH090V36B	8265952
XC14-036-230A	TXV	33,600	15.50	12.50	CX35-30/36B	SL280UH090V48B	8265953
XC14-036-230A	TXV	33,600	15.50	12.50	CX35-30/36B	SL280UH090XV48B	8265954
XC14-036-230A	TXV	33,400	15.00	12.50	CX35-30/36B	SLP98UH070XV36B	8265946
XC14-036-230A	TXV	33,600	15.10	12.50	CX35-30/36C	EL180UH090E60C	8265967
XC14-036-230A	TXV	33,400	15.50	12.50	CX35-30/36C	EL180UH110E60C	8265968
XC14-036-230A	TXV	33,400	15.50	12.50	CX35-30/36C	EL180UH110XE60C	8265961
XC14-036-230A	TXV	33,200	15.10	12.50	CX35-30/36C	EL195UH090XE48C	8265962
XC14-036-230A	TXV	33,600	15.10	12.50	CX35-30/36C	EL195UH110XE60C	8265964
XC14-036-230A	TXV	33,200	15.10	12.50	CX35-30/36C	EL296UH090XE48C	8265963
XC14-036-230A	TXV	33,600	15.50	12.50	CX35-30/36C	EL296UH090XV36C	8265966
XC14-036-230A	TXV	33,400	15.50	12.50	CX35-30/36C	EL296UH090XV48C	8265958
XC14-036-230A	TXV	33,600	15.10	12.50	CX35-30/36C	EL296UH110XE60C	8265965
XC14-036-230A	TXV	33,600	15.50	12.50	CX35-30/36C	EL296UH110XV48C	8265960
XC14-036-230A	TXV	33,600	15.50	12.50	CX35-30/36C	SLP98UH090XV36C	8265957
XC14-036-230A	TXV	33,400	15.50	12.50	CX35-30/36C	SLP98UH090XV48C	8265959
XC14-036-230A	TXV	33,800	15.50	12.50	CX35-30/36C	SLP98UH110XV60C	8265956
XC14-036-230A	TXV	34,200	15.10	12.50	CX35-30A	EL180UH045E36A	8265922
XC14-036-230A	TXV	34,200	15.10	12.50	CX35-30A	EL180UH045XE36A	8265923
XC14-036-230A	TXV	34,400	15.10	12.50	CX35-30A	SL280UH070V36A	8265924
XC14-036-230A	TXV	34,400	15.10	12.50	CX35-30A	SL280UH070XV36A	8265925
XC14-036-230A	TXV	34,400	15.00	12.50	CX35-30B	EL180UH070E36B	8265939
XC14-036-230A	TXV	34,400	15.00	12.50	CX35-30B	EL180UH070XE36B	8265930
XC14-036-230A	TXV	34,400	15.50	12.50	CX35-30B	EL180UH090E48B	8265931
XC14-036-230A	TXV	34,400	15.50	12.50	CX35-30B	EL180UH090XE48B	8265932
XC14-036-230A	TXV	34,000	14.50	12.20	CX35-30B	EL195UH045XE36B	8265933
XC14-036-230A	TXV	34,000	15.10	12.50	CX35-30B	EL195UH070XE36B	8265935
XC14-036-230A	TXV	34,000	14.50	12.20	CX35-30B	EL296UH045XE36B	8265934
XC14-036-230A	TXV	34,200	15.10	12.50	CX35-30B	EL296UH045XV36B	8265927
XC14-036-230A	TXV	34,000	15.10	12.50	CX35-30B	EL296UH070XE36B	8265926
XC14-036-230A	TXV	34,200	15.10	12.50	CX35-30B	EL296UH070XV36B	8265928
XC14-036-230A	TXV	34,400	15.50	12.50	CX35-30B	SL280UH090V36B	8265936
XC14-036-230A	TXV	34,400	15.50	12.50	CX35-30B	SL280UH090V48B	8265937
XC14-036-230A	TXV	34,400	15.50	12.50	CX35-30B	SL280UH090XV48B	8265938
XC14-036-230A	TXV	34,200	15.10	12.50	CX35-30B	SLP98UH070XV36B	8265929
XC14-036-230A	TXV	34,400	15.10	12.50	CX35-36A	EL180UH045E36A	8265970
XC14-036-230A	TXV	34,400	15.10	12.50	CX35-36A	EL180UH045XE36A	8265971

NOTES:

TXV = Matched with Thermostatic Expansion Valve.

RFC = Matched with RFC metering device.

AHRI certified to AHRI Standard 210/240 (with 25 ft. of connecting refrigerant lines); 95°F outdoor air temperature, 80°F db / 67°F wb entering evaporator air.

All ratings include the use of a blower time delay relay (TDR). All Lennox variable-speed furnaces and Air Handlers have time delay capabilities. Other Furnaces and Air Handlers may require an optional time delay relay (**58M81**) for field installation. See furnace or air handler specifications to determine if relay is needed.

Also see Expansion Valve Kit Usage Table.

AHRI SYSTEM MATCHES - ALL REGIONS - 018-024-030-041-042-047-048-060

NOTE - For the latest up-to-date system matches please visit the AHRI web site at <http://www.ahridirectory.org>

Model No.	Expansion Device	Capacity	SEER	EER	Coil or Air Handler	Furnace	AHRI Reference
XC14-036-230A	TXV	34,600	15.50	12.50	CX35-36A	SL280UH070V36A	8265972
XC14-036-230A	TXV	34,600	15.50	12.50	CX35-36A	SL280UH070XV36A	8265973
XC14-036-230A	TXV	34,200	14.25	12.20	CX35-36A		8265969
XC14-036-230A	TXV	34,600	16.00	13.00	CX35-36B	EL180UH070E36B	8265988
XC14-036-230A	TXV	34,600	16.00	13.00	CX35-36B	EL180UH070XE36B	8265979
XC14-036-230A	TXV	34,600	16.00	13.00	CX35-36B	EL180UH090E48B	8265980
XC14-036-230A	TXV	34,600	16.00	13.00	CX35-36B	EL180UH090XE48B	8265981
XC14-036-230A	TXV	34,400	15.00	12.50	CX35-36B	EL195UH045XE36B	8265982
XC14-036-230A	TXV	34,400	15.00	12.50	CX35-36B	EL195UH070XE36B	8265984
XC14-036-230A	TXV	34,400	15.00	12.50	CX35-36B	EL296UH045XE36B	8265983
XC14-036-230A	TXV	34,600	15.50	12.50	CX35-36B	EL296UH045XV36B	8265976
XC14-036-230A	TXV	34,400	15.00	12.50	CX35-36B	EL296UH070XE36B	8265975
XC14-036-230A	TXV	34,600	15.50	12.50	CX35-36B	EL296UH070XV36B	8265977
XC14-036-230A	TXV	34,800	16.00	13.00	CX35-36B	SL280UH090V36B	8265985
XC14-036-230A	TXV	34,800	16.00	13.00	CX35-36B	SL280UH090V48B	8265986
XC14-036-230A	TXV	34,800	16.00	13.00	CX35-36B	SL280UH090XV48B	8265987
XC14-036-230A	TXV	34,600	15.50	12.50	CX35-36B	SLP98UH070XV36B	8265978
XC14-036-230A	TXV	34,200	14.25	12.20	CX35-36B		8265974
XC14-036-230A	TXV	34,800	16.00	13.00	CX35-48B	EL180UH070E36B	8265997
XC14-036-230A	TXV	34,800	16.00	13.00	CX35-48B	EL180UH070XE36B	8265998
XC14-036-230A	TXV	34,800	16.00	13.00	CX35-48B	EL180UH090E48B	8265999
XC14-036-230A	TXV	34,800	16.00	13.00	CX35-48B	EL180UH090XE48B	8266000
XC14-036-230A	TXV	34,400	15.00	12.50	CX35-48B	EL195UH045XE36B	8266001
XC14-036-230A	TXV	34,600	15.10	12.50	CX35-48B	EL195UH070XE36B	8265991
XC14-036-230A	TXV	34,400	15.00	12.50	CX35-48B	EL296UH045XE36B	8265990
XC14-036-230A	TXV	34,800	15.50	12.50	CX35-48B	EL296UH045XV36B	8265993
XC14-036-230A	TXV	34,600	15.10	12.50	CX35-48B	EL296UH070XE36B	8265992
XC14-036-230A	TXV	34,800	15.50	12.50	CX35-48B	EL296UH070XV36B	8265994
XC14-036-230A	TXV	34,800	16.00	13.00	CX35-48B	SL280UH090V36B	8266002
XC14-036-230A	TXV	35,000	16.00	13.00	CX35-48B	SL280UH090V48B	8266003
XC14-036-230A	TXV	35,000	16.00	13.00	CX35-48B	SL280UH090XV48B	8265996
XC14-036-230A	TXV	34,800	15.50	12.50	CX35-48B	SLP98UH070XV36B	8265995
XC14-036-230A	TXV	34,400	14.50	12.20	CX35-48B		8265989
XC14-036-230A	TXV	34,800	16.00	13.00	CX35-48C	EL180UH090E60C	8266021
XC14-036-230A	TXV	34,800	16.00	13.00	CX35-48C	EL180UH110E60C	8266022
XC14-036-230A	TXV	34,800	16.00	13.00	CX35-48C	EL180UH110XE60C	8266011
XC14-036-230A	TXV	34,600	15.50	12.50	CX35-48C	EL195UH090XE48C	8266012
XC14-036-230A	TXV	34,800	16.00	13.00	CX35-48C	EL195UH110XE60C	8266014
XC14-036-230A	TXV	34,600	15.50	12.50	CX35-48C	EL296UH090XE48C	8266013
XC14-036-230A	TXV	34,800	16.00	13.00	CX35-48C	EL296UH090XV36C	8266016
XC14-036-230A	TXV	34,800	16.00	13.00	CX35-48C	EL296UH090XV48C	8266006
XC14-036-230A	TXV	34,600	16.00	13.00	CX35-48C	EL296UH110XE60C	8266015
XC14-036-230A	TXV	35,000	16.00	13.00	CX35-48C	EL296UH110XV48C	8266008
XC14-036-230A	TXV	35,200	16.00	13.00	CX35-48C	EL296UH110XV60C	8266009
XC14-036-230A	TXV	35,400	16.00	13.00	CX35-48C	SL280UH090V60C	8266017
XC14-036-230A	TXV	35,400	16.00	13.00	CX35-48C	SL280UH090XV60C	8266018
XC14-036-230A	TXV	35,200	16.00	13.00	CX35-48C	SL280UH110V60C	8266019
XC14-036-230A	TXV	35,200	16.00	13.00	CX35-48C	SL280UH110XV60C	8266020
XC14-036-230A	TXV	34,800	16.00	13.00	CX35-48C	SLP98UH090XV36C	8266005

NOTES:

TXV = Matched with Thermostatic Expansion Valve.

RFC = Matched with RFC metering device.

AHRI certified to AHRI Standard 210/240 (with 25 ft. of connecting refrigerant lines); 95°F outdoor air temperature, 80°F db / 67°F wb entering evaporator air. All ratings include the use of a blower time delay relay (TDR). All Lennox variable-speed furnaces and Air Handlers have time delay capabilities. Other Furnaces and Air Handlers may require an optional time delay relay (**58M81**) for field installation. See furnace or air handler specifications to determine if relay is needed.

Also see Expansion Valve Kit Usage Table.

AHRI SYSTEM MATCHES - ALL REGIONS - 018-024-030-041-042-047-048-060

NOTE - For the latest up-to-date system matches please visit the AHRI web site at <http://www.ahridirectory.org>

Model No.	Expansion Device	Capacity	SEER	EER	Coil or Air Handler	Furnace	AHRI Reference
XC14-036-230A	TXV	34,800	16.00	13.00	CX35-48C	SLP98UH090XV48C	8266007
XC14-036-230A	TXV	35,200	16.00	13.00	CX35-48C	SLP98UH110XV60C	8266010
XC14-036-230A	TXV	34,400	14.50	12.20	CX35-48C		8266004
XC14-036-230A	TXV	35,200	16.00	13.00	CX35-49C	EL180UH090E60C	8266036
XC14-036-230A	TXV	35,000	16.00	13.00	CX35-49C	EL180UH110E60C	8266037
XC14-036-230A	TXV	35,000	16.00	13.00	CX35-49C	EL180UH110XE60C	8266038
XC14-036-230A	TXV	34,800	16.00	13.00	CX35-49C	EL195UH090XE48C	8266039
XC14-036-230A	TXV	35,200	16.00	13.00	CX35-49C	EL195UH110XE60C	8266029
XC14-036-230A	TXV	34,800	16.00	13.00	CX35-49C	EL296UH090XE48C	8266028
XC14-036-230A	TXV	35,200	16.00	13.00	CX35-49C	EL296UH090XV36C	8266031
XC14-036-230A	TXV	35,000	16.00	13.00	CX35-49C	EL296UH090XV48C	8266033
XC14-036-230A	TXV	35,200	16.00	13.00	CX35-49C	EL296UH110XE60C	8266030
XC14-036-230A	TXV	35,200	16.00	13.00	CX35-49C	EL296UH110XV48C	8266025
XC14-036-230A	TXV	35,600	16.00	13.00	CX35-49C	EL296UH110XV60C	8266026
XC14-036-230A	TXV	35,600	16.00	13.00	CX35-49C	SL280UH090V60C	8266040
XC14-036-230A	TXV	35,600	16.00	13.00	CX35-49C	SL280UH090XV60C	8266041
XC14-036-230A	TXV	35,400	16.00	13.00	CX35-49C	SL280UH110V60C	8266034
XC14-036-230A	TXV	35,400	16.00	13.00	CX35-49C	SL280UH110XV60C	8266035
XC14-036-230A	TXV	35,200	16.00	13.00	CX35-49C	SLP98UH090XV36C	8266032
XC14-036-230A	TXV	35,000	16.00	13.00	CX35-49C	SLP98UH090XV48C	8266024
XC14-036-230A	TXV	35,600	16.00	13.00	CX35-49C	SLP98UH110XV60C	8266027
XC14-036-230A	TXV	34,600	14.50	12.20	CX35-49C		8266023
XC14-036-230A	TXV	34,800	16.00	13.00	CX35-50/60C	EL180UH090E60C	8266051
XC14-036-230A	TXV	34,800	16.00	13.00	CX35-50/60C	EL180UH110E60C	8266052
XC14-036-230A	TXV	34,800	16.00	13.00	CX35-50/60C	EL180UH110XE60C	8266053
XC14-036-230A	TXV	34,400	15.50	12.50	CX35-50/60C	EL195UH090XE48C	8266054
XC14-036-230A	TXV	34,800	16.00	13.00	CX35-50/60C	EL195UH110XE60C	8266056
XC14-036-230A	TXV	34,400	15.50	12.50	CX35-50/60C	EL296UH090XE48C	8266055
XC14-036-230A	TXV	34,800	16.00	13.00	CX35-50/60C	EL296UH090XV36C	8266046
XC14-036-230A	TXV	34,600	16.00	13.00	CX35-50/60C	EL296UH090XV48C	8266048
XC14-036-230A	TXV	34,800	16.00	13.00	CX35-50/60C	EL296UH110XE60C	8266045
XC14-036-230A	TXV	34,800	16.00	13.00	CX35-50/60C	EL296UH110XV48C	8266050
XC14-036-230A	TXV	35,200	16.00	13.00	CX35-50/60C	EL296UH110XV60C	8266043
XC14-036-230A	TXV	35,200	16.00	13.00	CX35-50/60C	SL280UH090V60C	8266057
XC14-036-230A	TXV	35,200	16.00	13.00	CX35-50/60C	SL280UH090XV60C	8266058
XC14-036-230A	TXV	35,000	16.00	13.00	CX35-50/60C	SL280UH110V60C	8266059
XC14-036-230A	TXV	35,000	16.00	13.00	CX35-50/60C	SL280UH110XV60C	8266060
XC14-036-230A	TXV	34,800	16.00	13.00	CX35-50/60C	SLP98UH090XV36C	8266047
XC14-036-230A	TXV	34,600	16.00	13.00	CX35-50/60C	SLP98UH090XV48C	8266049
XC14-036-230A	TXV	35,200	16.00	13.00	CX35-50/60C	SLP98UH110XV60C	8266044
XC14-036-230A	TXV	34,200	14.50	12.20	CX35-50/60C		8266042
XC14-041-230	TXV	38,500	15.50	13.20	C33-38	EL180UH090E48B	5735078
XC14-041-230	TXV	38,500	15.50	13.20	C33-38	EL180UH090XE48B	5737099
XC14-041-230	TXV	39,000	15.50	13.20	C33-43	EL180UH090E48B	5735080
XC14-041-230	TXV	39,000	16.00	13.50	C33-43	EL180UH090E60C	5735956
XC14-041-230	TXV	39,000	15.50	13.20	C33-43	EL180UH090XE48B	5737101
XC14-041-230	TXV	39,000	16.00	13.50	C33-43	EL180UH110E60C	5737783
XC14-041-230	TXV	39,000	16.00	13.50	C33-43	EL180UH110XE60C	5738838
XC14-041-230	TXV	39,000	15.70	13.50	C33-43	EL195UH090XE48C	4694197

NOTES:

TXV = Matched with Thermostatic Expansion Valve.

RFC = Matched with RFC metering device.

AHRI certified to AHRI Standard 210/240 (with 25 ft. of connecting refrigerant lines); 95°F outdoor air temperature, 80°F db / 67°F wb entering evaporator air.

All ratings include the use of a blower time delay relay (TDR). All Lennox variable-speed furnaces and Air Handlers have time delay capabilities. Other Furnaces and Air Handlers may require an optional time delay relay (**58M81**) for field installation. See furnace or air handler specifications to determine if relay is needed.

Also see Expansion Valve Kit Usage Table.

AHRI SYSTEM MATCHES - ALL REGIONS - 018-024-030-041-042-047-048-060

NOTE - For the latest up-to-date system matches please visit the AHRI web site at <http://www.ahridirectory.org>

Model No.	Expansion Device	Capacity	SEER	EER	Coil or Air Handler	Furnace	AHRI Reference
XC14-041-230	TXV	39,000	15.50	13.20	C33-43	EL195UH110XE60C	4694211
XC14-041-230	TXV	39,000	15.70	13.50	C33-43	EL296UH090XE48C	5647302
XC14-041-230	TXV	39,000	15.50	13.20	C33-43	EL296UH110XE60C	5647316
XC14-041-230	TXV	39,000	16.00	13.00	C33-43	SL280UH090V60C	3869130
XC14-041-230	TXV	39,000	16.00	13.00	C33-43	SL280UH090XV60C	4235238
XC14-041-230	TXV	39,000	16.00	13.00	C33-43	SL280UH110V60C	3869131
XC14-041-230	TXV	39,000	16.00	13.00	C33-43	SL280UH110XV60C	4040424
XC14-041-230	TXV	37,800	14.50	12.20	C33-43		3869132
XC14-041-230	TXV	38,000	15.20	13.00	C33-48	EL180UH090E48B	5735083
XC14-041-230	TXV	38,500	15.50	13.20	C33-48	EL180UH090E60C	5735959
XC14-041-230	TXV	38,000	15.20	13.00	C33-48	EL180UH090XE48B	5737103
XC14-041-230	TXV	38,000	15.50	13.20	C33-48	EL180UH110E60C	5737786
XC14-041-230	TXV	38,000	15.50	13.20	C33-48	EL180UH110XE60C	5738840
XC14-041-230	TXV	37,800	15.20	13.00	C33-48	EL195UH090XE48C	4694198
XC14-041-230	TXV	38,500	15.20	13.20	C33-48	EL195UH110XE60C	4694212
XC14-041-230	TXV	37,800	15.20	13.00	C33-48	EL296UH090XE48C	5647303
XC14-041-230	TXV	38,500	15.20	13.20	C33-48	EL296UH110XE60C	5647317
XC14-041-230	TXV	39,500	16.00	13.00	C33-49	EL180UH090E60C	5735960
XC14-041-230	TXV	39,500	16.00	13.00	C33-49	EL180UH110E60C	5737787
XC14-041-230	TXV	39,500	16.00	13.00	C33-49	EL180UH110XE60C	5738842
XC14-041-230	TXV	39,500	16.00	13.50	C33-49	EL195UH090XE48C	4694199
XC14-041-230	TXV	39,500	16.00	13.50	C33-49	EL195UH110XE60C	4694213
XC14-041-230	TXV	39,500	16.00	13.50	C33-49	EL296UH090XE48C	5647304
XC14-041-230	TXV	39,500	16.00	13.50	C33-49	EL296UH110XE60C	5647318
XC14-041-230	TXV	38,500	14.70	12.50	C33-49		3869133
XC14-041-230	TXV	38,500	15.70	13.20	C33-50/60C	EL180UH090E60C	5735963
XC14-041-230	TXV	38,500	15.70	13.20	C33-50/60C	EL180UH110E60C	5737790
XC14-041-230	TXV	38,500	15.70	13.20	C33-50/60C	EL180UH110XE60C	5738843
XC14-041-230	TXV	38,500	15.50	13.20	C33-50/60C	EL195UH090XE48C	4694200
XC14-041-230	TXV	38,500	15.50	13.00	C33-50/60C	EL195UH110XE60C	4694214
XC14-041-230	TXV	38,500	15.50	13.20	C33-50/60C	EL296UH090XE48C	5647305
XC14-041-230	TXV	38,500	15.50	13.00	C33-50/60C	EL296UH110XE60C	5647319
XC14-041-230	TXV	40,000	16.00	13.00	C33-62C	EL180UH090E60C	5735964
XC14-041-230	TXV	40,000	16.00	13.00	C33-62C	EL180UH110E60C	5737792
XC14-041-230	TXV	40,000	16.00	13.00	C33-62C	EL180UH110XE60C	5738846
XC14-041-230	TXV	40,000	16.00	13.50	C33-62C	EL195UH090XE48C	4694201
XC14-041-230	TXV	40,500	16.00	13.50	C33-62C	EL195UH110XE60C	4694215
XC14-041-230	TXV	40,000	16.00	13.50	C33-62C	EL296UH090XE48C	5647306
XC14-041-230	TXV	40,500	16.00	13.50	C33-62C	EL296UH110XE60C	5647320
XC14-041-230	TXV	40,000	16.00	13.00	C33-62C	SLP98UH090XV48C	5767288
XC14-041-230	TXV	38,500	15.50	12.50	C35-36B	EL180UH090E48B	8266110
XC14-041-230	TXV	38,500	15.50	12.50	C35-36B	EL180UH090XE48B	8266109
XC14-041-230	TXV	38,500	15.50	12.50	C35-48B	EL180UH090E48B	8266434
XC14-041-230	TXV	38,500	15.50	12.50	C35-48B	EL180UH090XE48B	8266433
XC14-041-230	TXV	37,800	14.50	12.20	C35-48B		8266429
XC14-041-230	TXV	38,500	16.00	13.00	C35-48C	EL180UH090E60C	8266539
XC14-041-230	TXV	38,500	16.00	13.00	C35-48C	EL180UH110E60C	8266435
XC14-041-230	TXV	38,500	16.00	13.00	C35-48C	EL180UH110XE60C	8266436
XC14-041-230	TXV	38,500	15.50	12.50	C35-48C	EL195UH090XE48C	8266440

NOTES:

TXV = Matched with Thermostatic Expansion Valve.

RFC = Matched with RFC metering device.

AHRI certified to AHRI Standard 210/240 (with 25 ft. of connecting refrigerant lines); 95°F outdoor air temperature, 80°F db / 67°F wb entering evaporator air. All ratings include the use of a blower time delay relay (TDR). All Lennox variable-speed furnaces and Air Handlers have time delay capabilities. Other Furnaces and Air Handlers may require an optional time delay relay (**58M81**) for field installation. See furnace or air handler specifications to determine if relay is needed.

Also see Expansion Valve Kit Usage Table.

AHRI SYSTEM MATCHES - ALL REGIONS - 018-024-030-041-042-047-048-060

NOTE - For the latest up-to-date system matches please visit the AHRI web site at <http://www.ahridirectory.org>

Model No.	Expansion Device	Capacity	SEER	EER	Coil or Air Handler	Furnace	AHRI Reference
XC14-041-230	TXV	38,500	15.50	12.50	C35-48C	EL195UH110XE60C	8266439
XC14-041-230	TXV	38,500	15.50	12.50	C35-48C	EL296UH090XE48C	8266438
XC14-041-230	TXV	38,500	15.50	12.50	C35-48C	EL296UH110XE60C	8266437
XC14-041-230	TXV	39,000	16.00	13.00	C35-48C	SL280UH090V60C	8266431
XC14-041-230	TXV	39,000	16.00	13.00	C35-48C	SL280UH090XV60C	8266441
XC14-041-230	TXV	38,500	15.50	12.50	C35-48C	SL280UH110V60C	8266432
XC14-041-230	TXV	38,500	15.50	12.50	C35-48C	SL280UH110XV60C	8266442
XC14-041-230	TXV	37,800	14.50	12.20	C35-48C		8266430
XC14-041-230	TXV	39,000	16.00	13.00	C35-49C	EL180UH090E60C	8266444
XC14-041-230	TXV	39,000	16.00	13.00	C35-49C	EL180UH110E60C	8266445
XC14-041-230	TXV	39,000	16.00	13.00	C35-49C	EL180UH110XE60C	8266446
XC14-041-230	TXV	38,500	16.00	13.00	C35-49C	EL195UH090XE48C	8266448
XC14-041-230	TXV	39,000	15.50	12.50	C35-49C	EL195UH110XE60C	8266540
XC14-041-230	TXV	38,500	16.00	13.00	C35-49C	EL296UH090XE48C	8266447
XC14-041-230	TXV	39,000	15.50	12.50	C35-49C	EL296UH110XE60C	8266538
XC14-041-230	TXV	38,500	14.70	12.50	C35-49C		8266443
XC14-041-230	TXV	38,000	15.50	12.50	C35-50/60C	EL180UH090E60C	8266111
XC14-041-230	TXV	38,000	15.50	12.50	C35-50/60C	EL180UH110E60C	8266112
XC14-041-230	TXV	38,000	15.50	12.50	C35-50/60C	EL180UH110XE60C	8266113
XC14-041-230	TXV	38,000	15.50	12.50	C35-50/60C	EL195UH090XE48C	8266117
XC14-041-230	TXV	38,500	15.50	12.50	C35-50/60C	EL195UH110XE60C	8266116
XC14-041-230	TXV	38,000	15.50	12.50	C35-50/60C	EL296UH090XE48C	8266115
XC14-041-230	TXV	38,500	15.50	12.50	C35-50/60C	EL296UH110XE60C	8266114
XC14-041-230	TXV	40,000	16.00	13.00	C35-60C	EL180UH090E60C	8266119
XC14-041-230	TXV	40,000	16.00	13.00	C35-60C	EL180UH110E60C	8266120
XC14-041-230	TXV	40,000	16.00	13.00	C35-60C	EL180UH110XE60C	8266121
XC14-041-230	TXV	39,500	16.00	13.00	C35-60C	EL195UH090XE48C	8266125
XC14-041-230	TXV	40,000	16.00	13.00	C35-60C	EL195UH110XE60C	8266124
XC14-041-230	TXV	39,500	16.00	13.00	C35-60C	EL296UH090XE48C	8266123
XC14-041-230	TXV	40,000	16.00	13.00	C35-60C	EL296UH110XE60C	8266122
XC14-041-230	TXV	40,000	16.00	13.00	C35-60C	SLP98UH090XV48C	8266118
XC14-041-230	TXV	38,000	14.50	12.50	CBX25UH-042		5732810
XC14-041-230	TXV	39,500	15.20	13.00	CBX25UH-048		5732811
XC14-041-230	TXV	39,000	16.00	13.50	CBX25UHV-042		6970210
XC14-041-230	TXV	40,000	16.00	14.00	CBX25UHV-048		6970211
XC14-041-230	TXV	39,000	16.00	13.00	CBX27UH-048		3869134
XC14-041-230	TXV	39,500	16.00	13.00	CBX32MV-048		3869135
XC14-041-230	TXV	39,000	16.00	13.00	CBX40UHV-048		3869136
XC14-041-230	TXV	37,600	15.50	13.00	CH23-51	EL180UH090E60C	5736600
XC14-041-230	TXV	37,200	15.50	13.00	CH23-51	SL280UH090V60C	5514086
XC14-041-230	TXV	38,000	15.50	13.00	CH23-65	EL180UH090E60C	5736602
XC14-041-230	TXV	37,600	15.50	13.00	CH23-65	SL280UH090V60C	5514088
XC14-041-230	TXV	39,500	16.00	13.50	CH33-43	EL180UH090E48B	5735069
XC14-041-230	TXV	39,000	16.00	13.50	CH33-43	EL180UH090E60C	5735938
XC14-041-230	TXV	39,500	16.00	13.50	CH33-43	EL180UH090XE48B	5737089
XC14-041-230	TXV	39,000	16.00	13.50	CH33-43	EL180UH110E60C	5737766
XC14-041-230	TXV	39,000	16.00	13.50	CH33-43	EL180UH110XE60C	5738891
XC14-041-230	TXV	39,000	15.70	13.00	CH33-43	EL296UH090XV36C	5058525
XC14-041-230	TXV	39,000	15.70	13.00	CH33-43	EL296UH090XV48C	5058526

NOTES:

TXV = Matched with Thermostatic Expansion Valve.

RFC = Matched with RFC metering device.

AHRI certified to AHRI Standard 210/240 (with 25 ft. of connecting refrigerant lines); 95°F outdoor air temperature, 80°F db / 67°F wb entering evaporator air.

All ratings include the use of a blower time delay relay (TDR). All Lennox variable-speed furnaces and Air Handlers have time delay capabilities. Other Furnaces and Air Handlers may require an optional time delay relay (**58M81**) for field installation. See furnace or air handler specifications to determine if relay is needed.

Also see Expansion Valve Kit Usage Table.

AHRI SYSTEM MATCHES - ALL REGIONS - 018-024-030-041-042-047-048-060

NOTE - For the latest up-to-date system matches please visit the AHRI web site at <http://www.ahridirectory.org>

Model No.	Expansion Device	Capacity	SEER	EER	Coil or Air Handler	Furnace	AHRI Reference
XC14-041-230	TXV	39,000	15.70	13.00	CH33-43	EL296UH090XV60C	5058527
XC14-041-230	TXV	38,500	16.00	13.00	CH33-43	EL296UH110XV60C	5058528
XC14-041-230	TXV	39,500	15.70	13.00	CH33-43	SL280UH090V36B	4253810
XC14-041-230	TXV	39,500	15.70	13.00	CH33-43	SL280UH090V48B	4253808
XC14-041-230	TXV	39,500	15.70	13.00	CH33-43	SL280UH090XV48B	4253809
XC14-041-230	TXV	39,000	15.70	13.00	CH33-43	SLP98UH090XV36C	5140450
XC14-041-230	TXV	39,000	15.70	13.00	CH33-43	SLP98UH090XV48C	5140451
XC14-041-230	TXV	39,000	15.70	13.00	CH33-43	SLP98UH090XV60C	5140452
XC14-041-230	TXV	38,500	16.00	13.00	CH33-43	SLP98UH110XV60C	5140453
XC14-041-230	TXV	39,000	15.70	13.00	CH33-43C	EL195UH090XE48C	4694202
XC14-041-230	TXV	38,500	15.70	13.00	CH33-43C	EL195UH110XE60C	4694355
XC14-041-230	TXV	39,000	15.70	13.00	CH33-43C	EL296UH090XE48C	5647307
XC14-041-230	TXV	38,500	15.70	13.00	CH33-43C	EL296UH110XE60C	5647350
XC14-041-230	TXV	39,500	16.00	13.00	CH33-43C	SL280UH090V60C	3869142
XC14-041-230	TXV	39,500	16.00	13.00	CH33-43C	SL280UH090XV60C	4235239
XC14-041-230	TXV	39,000	15.70	13.00	CH33-43C	SL280UH110V60C	3869143
XC14-041-230	TXV	39,000	15.70	13.00	CH33-43C	SL280UH110XV60C	4040425
XC14-041-230	TXV	38,500	15.50	13.20	CH33-44/48	EL180UH090E48B	5735071
XC14-041-230	TXV	38,500	15.50	13.20	CH33-44/48	EL180UH090XE48B	5737091
XC14-041-230	TXV	38,500	15.70	13.20	CH33-48	EL180UH090E60C	5735940
XC14-041-230	TXV	38,500	15.70	13.20	CH33-48	EL180UH110E60C	5737768
XC14-041-230	TXV	38,500	15.70	13.20	CH33-48	EL180UH110XE60C	5738892
XC14-041-230	TXV	38,500	15.20	13.00	CH33-48	EL296UH090XV36C	5058534
XC14-041-230	TXV	38,500	15.50	13.00	CH33-48	EL296UH090XV48C	5058535
XC14-041-230	TXV	38,500	15.20	13.00	CH33-48	SLP98UH090XV36C	5140522
XC14-041-230	TXV	38,500	15.50	13.00	CH33-48	SLP98UH090XV48C	5140523
XC14-041-230	TXV	38,500	15.50	13.00	CH33-48C	EL195UH090XE48C	4694203
XC14-041-230	TXV	39,000	15.50	13.20	CH33-48C	EL195UH110XE60C	4694216
XC14-041-230	TXV	38,500	15.50	13.00	CH33-48C	EL296UH090XE48C	5647308
XC14-041-230	TXV	39,000	15.50	13.20	CH33-48C	EL296UH110XE60C	5647321
XC14-041-230	TXV	39,500	16.00	13.50	CH33-49	EL180UH090E60C	5735943
XC14-041-230	TXV	39,500	16.00	13.50	CH33-49	EL180UH110E60C	5737769
XC14-041-230	TXV	39,500	16.00	13.50	CH33-49	EL180UH110XE60C	5738868
XC14-041-230	TXV	39,000	15.70	13.50	CH33-49	EL195UH090XE48C	4694204
XC14-041-230	TXV	39,500	15.70	13.50	CH33-49	EL195UH110XE60C	4694217
XC14-041-230	TXV	39,000	15.70	13.50	CH33-49	EL296UH090XE48C	5647309
XC14-041-230	TXV	39,500	15.70	13.50	CH33-49	EL296UH110XE60C	5647322
XC14-041-230	TXV	39,000	15.70	13.50	CH33-50/60C	EL180UH090E60C	5735945
XC14-041-230	TXV	39,000	15.70	13.50	CH33-50/60C	EL180UH110E60C	5737771
XC14-041-230	TXV	39,000	15.70	13.50	CH33-50/60C	EL180UH110XE60C	5738869
XC14-041-230	TXV	39,000	15.70	13.50	CH33-50/60C	EL195UH090XE48C	4694205
XC14-041-230	TXV	39,500	15.70	13.50	CH33-50/60C	EL195UH110XE60C	4694218
XC14-041-230	TXV	39,000	15.70	13.50	CH33-50/60C	EL296UH090XE48C	5647310
XC14-041-230	TXV	39,500	15.70	13.50	CH33-50/60C	EL296UH110XE60C	5647323
XC14-041-230	TXV	39,000	14.50	12.50	CH33-50/60C		4253813
XC14-041-230	TXV	39,500	16.00	13.00	CH35-42B	EL180UH090E48B	7165927
XC14-041-230	TXV	39,000	15.10	13.00	CH35-42B	EL296UH045V36B	7165926
XC14-041-230	TXV	39,500	15.50	13.00	CH35-42B	SL280UH090V36B	7165928
XC14-041-230	TXV	39,500	15.50	13.00	CH35-42B	SL280UH090V48B	7165929

NOTES:

TXV = Matched with Thermostatic Expansion Valve.

RFC = Matched with RFC metering device.

AHRI certified to AHRI Standard 210/240 (with 25 ft. of connecting refrigerant lines); 95°F outdoor air temperature, 80°F db / 67°F wb entering evaporator air.

All ratings include the use of a blower time delay relay (TDR). All Lennox variable-speed furnaces and Air Handlers have time delay capabilities. Other Furnaces and Air Handlers may require an optional time delay relay (**58M81**) for field installation. See furnace or air handler specifications to determine if relay is needed.

Also see Expansion Valve Kit Usage Table.

AHRI SYSTEM MATCHES - ALL REGIONS - 018-024-030-041-042-047-048-060

NOTE - For the latest up-to-date system matches please visit the AHRI web site at <http://www.ahridirectory.org>

Model No.	Expansion Device	Capacity	SEER	EER	Coil or Air Handler	Furnace	AHRI Reference
XC14-041-230	TXV	39,000	15.10	13.00	CH35-42B	SLP98UH070XV36B	7165930
XC14-041-230	TXV	39,000	14.50	12.50	CH35-42B		7165924
XC14-041-230	TXV	39,000	16.00	13.00	CH35-42C	EL180UH090E60C	7165940
XC14-041-230	TXV	39,000	16.00	13.00	CH35-42C	EL180UH110E60C	7165941
XC14-041-230	TXV	38,500	15.50	13.00	CH35-42C	EL195UH090XE48C	7165931
XC14-041-230	TXV	39,000	15.50	13.00	CH35-42C	EL195UH110XE60C	7165932
XC14-041-230	TXV	38,500	15.50	13.00	CH35-42C	EL296UH090XE48C	7165936
XC14-041-230	TXV	38,500	15.50	13.00	CH35-42C	EL296UH090XV36C	7165933
XC14-041-230	TXV	38,500	15.50	13.00	CH35-42C	EL296UH090XV48C	7165934
XC14-041-230	TXV	39,000	15.50	13.00	CH35-42C	EL296UH090XV60C	7165935
XC14-041-230	TXV	39,000	15.50	13.00	CH35-42C	EL296UH110XE60C	7165939
XC14-041-230	TXV	39,000	15.50	13.00	CH35-42C	EL296UH110XV48C	7165937
XC14-041-230	TXV	39,000	16.00	13.00	CH35-42C	EL296UH110XV60C	7165938
XC14-041-230	TXV	39,000	16.00	13.00	CH35-42C	SL280UH090V60C	7165943
XC14-041-230	TXV	39,000	15.50	13.00	CH35-42C	SL280UH110V60C	7165944
XC14-041-230	TXV	38,500	15.50	13.00	CH35-42C	SLP98UH090XV36C	7165945
XC14-041-230	TXV	38,500	15.50	13.00	CH35-42C	SLP98UH090XV48C	7165946
XC14-041-230	TXV	39,000	15.50	13.00	CH35-42C	SLP98UH090XV60C	7165947
XC14-041-230	TXV	38,500	16.00	13.00	CH35-42C	SLP98UH110XV60C	7165948
XC14-041-230	TXV	38,500	14.50	12.50	CH35-42C		7165925
XC14-041-230	TXV	38,500	15.50	13.00	CH35-48B	EL180UH090E48B	7165952
XC14-041-230	TXV	38,000	14.50	12.50	CH35-48B	EL296UH045V36B	7165951
XC14-041-230	TXV	38,000	14.50	12.50	CH35-48B		7165949
XC14-041-230	TXV	38,500	15.50	13.00	CH35-48C	EL180UH090E60C	7165959
XC14-041-230	TXV	38,500	15.50	13.00	CH35-48C	EL180UH110E60C	7165960
XC14-041-230	TXV	38,000	15.50	13.00	CH35-48C	EL195UH090XE48C	7165953
XC14-041-230	TXV	38,500	15.50	13.00	CH35-48C	EL195UH110XE60C	7165954
XC14-041-230	TXV	38,500	15.10	13.00	CH35-48C	EL296UH090XV36C	7165955
XC14-041-230	TXV	38,500	15.50	13.00	CH35-48C	EL296UH090XV48C	7165956
XC14-041-230	TXV	38,500	15.50	13.00	CH35-48C	EL296UH110XE60C	7165958
XC14-041-230	TXV	38,500	15.50	13.00	CH35-48C	EL296UH110XV48C	7165957
XC14-041-230	TXV	38,500	15.50	13.00	CH35-48C	SL280UH090V60C	7165961
XC14-041-230	TXV	38,500	15.50	13.00	CH35-48C	SL280UH110V60C	7165962
XC14-041-230	TXV	38,500	15.10	13.00	CH35-48C	SLP98UH090XV36C	7165963
XC14-041-230	TXV	38,500	15.50	13.00	CH35-48C	SLP98UH090XV48C	7165964
XC14-041-230	TXV	38,500	15.10	13.00	CH35-48C	SLP98UH090XV60C	7165965
XC14-041-230	TXV	38,500	15.50	13.00	CH35-48C	SLP98UH110XV60C	7165966
XC14-041-230	TXV	38,000	14.50	12.50	CH35-48C		7165950
XC14-041-230	TXV	39,000	16.00	13.00	CH35-51C	EL180UH090E60C	7165973
XC14-041-230	TXV	39,000	16.00	13.00	CH35-51C	EL180UH110E60C	7165974
XC14-041-230	TXV	39,000	15.50	13.00	CH35-51C	EL195UH090XE48C	7165968
XC14-041-230	TXV	39,000	15.50	13.00	CH35-51C	EL195UH110XE60C	7165969
XC14-041-230	TXV	39,000	15.50	13.00	CH35-51C	EL296UH090XE48C	7165970
XC14-041-230	TXV	39,000	15.50	13.00	CH35-51C	EL296UH110XE60C	7165972
XC14-041-230	TXV	39,500	15.50	13.00	CH35-51C	EL296UH110XV48C	7165971
XC14-041-230	TXV	39,000	15.50	13.00	CH35-51C	SLP98UH090XV36C	7165975
XC14-041-230	TXV	39,000	15.50	13.00	CH35-51C	SLP98UH090XV48C	7165976
XC14-041-230	TXV	39,500	15.50	13.00	CH35-51C	SLP98UH090XV60C	7165977
XC14-041-230	TXV	39,500	15.50	13.00	CH35-51C	SLP98UH110XV60C	7165978

NOTES:

TXV = Matched with Thermostatic Expansion Valve.

RFC = Matched with RFC metering device.

AHRI certified to AHRI Standard 210/240 (with 25 ft. of connecting refrigerant lines); 95°F outdoor air temperature, 80°F db / 67°F wb entering evaporator air.

All ratings include the use of a blower time delay relay (TDR). All Lennox variable-speed furnaces and Air Handlers have time delay capabilities. Other Furnaces and Air Handlers may require an optional time delay relay (**58M81**) for field installation. See furnace or air handler specifications to determine if relay is needed.

Also see Expansion Valve Kit Usage Table.

AHRI SYSTEM MATCHES - ALL REGIONS - 018-024-030-041-042-047-048-060

NOTE - For the latest up-to-date system matches please visit the AHRI web site at <http://www.ahridirectory.org>

Model No.	Expansion Device	Capacity	SEER	EER	Coil or Air Handler	Furnace	AHRI Reference
XC14-041-230	TXV	38,500	14.50	12.50	CH35-51C		7165967
XC14-041-230	TXV	38,000	15.50	13.00	CR33-50/60	EL195DF090XE48C	4694196
XC14-041-230	TXV	38,500	15.50	13.20	CR33-50/60	EL195DF110XE60C	4694354
XC14-041-230	TXV	38,000	15.50	13.00	CR33-50/60	EL296DF090XE48C	5647301
XC14-041-230	TXV	36,400	15.50	13.00	CR33-50/60	EL296DF090XV60C	5530491
XC14-041-230	TXV	38,500	15.50	13.20	CR33-50/60	EL296DF110XE60C	5647349
XC14-041-230	TXV	38,500	15.00	12.50	CR33-50/60	EL296DF110XV60C	7176694
XC14-041-230	TXV	38,500	16.00	13.00	CR33-50/60	SL280DF090V60C	3869152
XC14-041-230	TXV	39,000	16.00	13.00	CR33-50/60	SL280DF110V60C	3869198
XC14-041-230	TXV	38,500	15.50	13.20	CX34-38	EL180UH090E48B	5735072
XC14-041-230	TXV	38,500	15.50	13.20	CX34-38	EL180UH090XE48B	5737093
XC14-041-230	TXV	39,000	15.50	13.20	CX34-43	EL180UH090E48B	5735074
XC14-041-230	TXV	39,000	16.00	13.50	CX34-43	EL180UH090E60C	5735947
XC14-041-230	TXV	39,000	15.50	13.20	CX34-43	EL180UH090XE48B	5737095
XC14-041-230	TXV	39,000	16.00	13.50	CX34-43	EL180UH110E60C	5737773
XC14-041-230	TXV	39,000	16.00	13.50	CX34-43	EL180UH110XE60C	5738871
XC14-041-230	TXV	39,000	15.70	13.00	CX34-43	EL195UH090XE48C	4694206
XC14-041-230	TXV	38,500	15.50	13.00	CX34-43	EL195UH110XE60C	4694219
XC14-041-230	TXV	39,000	15.70	13.00	CX34-43	EL296UH090XE48C	5647311
XC14-041-230	TXV	38,500	15.50	13.00	CX34-43	EL296UH090XV36C	5058521
XC14-041-230	TXV	39,000	15.70	13.00	CX34-43	EL296UH090XV48C	5058522
XC14-041-230	TXV	39,000	15.50	13.00	CX34-43	EL296UH090XV60C	5058523
XC14-041-230	TXV	38,500	15.50	13.00	CX34-43	EL296UH110XE60C	5647324
XC14-041-230	TXV	38,500	16.00	13.00	CX34-43	EL296UH110XV60C	5058524
XC14-041-230	TXV	39,000	16.00	13.00	CX34-43	SL280UH090V60C	3869161
XC14-041-230	TXV	39,000	16.00	13.00	CX34-43	SL280UH090XV60C	4235240
XC14-041-230	TXV	39,000	16.00	13.00	CX34-43	SL280UH110V60C	3869162
XC14-041-230	TXV	39,000	16.00	13.00	CX34-43	SL280UH110XV60C	4040426
XC14-041-230	TXV	38,500	15.50	13.00	CX34-43	SLP98UH090XV36C	5140446
XC14-041-230	TXV	39,000	15.70	13.00	CX34-43	SLP98UH090XV48C	5140447
XC14-041-230	TXV	39,000	15.50	13.00	CX34-43	SLP98UH090XV60C	5140448
XC14-041-230	TXV	38,500	16.00	13.00	CX34-43	SLP98UH110XV60C	5140449
XC14-041-230	TXV	38,500	14.50	12.20	CX34-43		3869163
XC14-041-230	TXV	38,000	15.20	13.00	CX34-44/48	EL180UH090E48B	5735076
XC14-041-230	TXV	38,500	15.50	13.20	CX34-44/48	EL180UH090E60C	5735949
XC14-041-230	TXV	38,000	15.20	13.00	CX34-44/48	EL180UH090XE48B	5737097
XC14-041-230	TXV	38,000	15.50	13.20	CX34-44/48	EL180UH110E60C	5737776
XC14-041-230	TXV	38,000	15.50	13.20	CX34-44/48	EL180UH110XE60C	5738882
XC14-041-230	TXV	37,800	15.20	13.00	CX34-44/48	EL195UH090XE48C	4694207
XC14-041-230	TXV	38,500	15.20	13.20	CX34-44/48	EL195UH110XE60C	4694220
XC14-041-230	TXV	37,800	15.20	13.00	CX34-44/48	EL296UH090XE48C	5647312
XC14-041-230	TXV	38,500	15.20	13.20	CX34-44/48	EL296UH110XE60C	5647297
XC14-041-230	TXV	39,500	16.00	13.00	CX34-49	EL180UH090E60C	5735951
XC14-041-230	TXV	39,500	16.00	13.00	CX34-49	EL180UH110E60C	5737777
XC14-041-230	TXV	39,500	16.00	13.00	CX34-49	EL180UH110XE60C	5738884
XC14-041-230	TXV	39,500	16.00	13.50	CX34-49	EL195UH090XE48C	4694208
XC14-041-230	TXV	39,500	16.00	13.00	CX34-49	EL195UH110XE60C	4694221
XC14-041-230	TXV	39,500	16.00	13.50	CX34-49	EL296UH090XE48C	5647313
XC14-041-230	TXV	39,500	15.50	12.50	CX34-49	EL296UH090XV48C	8109488

NOTES:

TXV = Matched with Thermostatic Expansion Valve.

RFC = Matched with RFC metering device.

AHRI certified to AHRI Standard 210/240 (with 25 ft. of connecting refrigerant lines); 95°F outdoor air temperature, 80°F db / 67°F wb entering evaporator air.

All ratings include the use of a blower time delay relay (TDR). All Lennox variable-speed furnaces and Air Handlers have time delay capabilities. Other Furnaces and Air Handlers may require an optional time delay relay (**58M81**) for field installation. See furnace or air handler specifications to determine if relay is needed.

Also see Expansion Valve Kit Usage Table.

AHRI SYSTEM MATCHES - ALL REGIONS - 018-024-030-041-042-047-048-060

NOTE - For the latest up-to-date system matches please visit the AHRI web site at <http://www.ahridirectory.org>

Model No.	Expansion Device	Capacity	SEER	EER	Coil or Air Handler	Furnace	AHRI Reference
XC14-041-230	TXV	39,500	16.00	13.00	CX34-49	EL296UH110XE60C	5647298
XC14-041-230	TXV	39,500	16.00	13.00	CX34-49	EL296UH110XV60C	5058529
XC14-041-230	TXV	40,000	16.00	13.00	CX34-49	SL280UH090V60C	4253814
XC14-041-230	TXV	39,500	16.00	13.00	CX34-49	SL280UH110V60C	4253815
XC14-041-230	TXV	39,500	16.00	13.00	CX34-49	SLP98UH110XV60C	5140507
XC14-041-230	TXV	39,000	14.70	12.50	CX34-49		3869164
XC14-041-230	TXV	38,500	15.70	13.20	CX34-50/60C	EL180UH090E60C	5735952
XC14-041-230	TXV	38,500	15.70	13.20	CX34-50/60C	EL180UH110E60C	5737779
XC14-041-230	TXV	38,500	15.70	13.20	CX34-50/60C	EL180UH110XE60C	5738887
XC14-041-230	TXV	38,500	15.50	13.20	CX34-50/60C	EL195UH090XE48C	4694209
XC14-041-230	TXV	38,500	15.50	13.00	CX34-50/60C	EL195UH110XE60C	4694222
XC14-041-230	TXV	38,500	15.50	13.20	CX34-50/60C	EL296UH090XE48C	5647314
XC14-041-230	TXV	38,500	15.50	13.00	CX34-50/60C	EL296UH110XE60C	5647299
XC14-041-230	TXV	40,000	16.00	13.00	CX34-62C	EL180UH090E60C	5735955
XC14-041-230	TXV	40,000	16.00	13.00	CX34-62C	EL180UH110E60C	5737782
XC14-041-230	TXV	40,000	16.00	13.00	CX34-62C	EL180UH110XE60C	5738889
XC14-041-230	TXV	40,000	16.00	13.00	CX34-62C	EL195UH090XE48C	4694210
XC14-041-230	TXV	40,000	16.00	13.00	CX34-62C	EL195UH110XE60C	4694223
XC14-041-230	TXV	40,000	16.00	13.00	CX34-62C	EL296UH090XE48C	5647315
XC14-041-230	TXV	40,000	16.00	13.00	CX34-62C	EL296UH090XV36C	5058530
XC14-041-230	TXV	40,000	16.00	13.00	CX34-62C	EL296UH090XV48C	5058531
XC14-041-230	TXV	40,000	16.00	13.00	CX34-62C	EL296UH090XV60C	5058532
XC14-041-230	TXV	40,000	16.00	13.00	CX34-62C	EL296UH110XE60C	5647300
XC14-041-230	TXV	40,000	16.00	13.00	CX34-62C	EL296UH110XV60C	5058533
XC14-041-230	TXV	40,000	16.00	13.00	CX34-62C	SL280UH090V60C	4253817
XC14-041-230	TXV	40,000	16.00	13.00	CX34-62C	SL280UH110V60C	4253818
XC14-041-230	TXV	40,000	16.00	13.00	CX34-62C	SLP98UH090XV36C	5140508
XC14-041-230	TXV	40,000	16.00	13.00	CX34-62C	SLP98UH090XV48C	5140509
XC14-041-230	TXV	40,000	16.00	13.00	CX34-62C	SLP98UH090XV60C	5140510
XC14-041-230	TXV	40,000	16.00	13.00	CX34-62C	SLP98UH110XV60C	5140511
XC14-041-230	TXV	38,500	15.50	12.50	CX35-36B	EL180UH090E48B	8266127
XC14-041-230	TXV	38,500	15.50	12.50	CX35-36B	EL180UH090XE48B	8266126
XC14-041-230	TXV	38,500	15.50	12.50	CX35-48B	EL180UH090E48B	8266132
XC14-041-230	TXV	38,500	15.50	12.50	CX35-48B	EL180UH090XE48B	8266130
XC14-041-230	TXV	38,000	14.50	12.20	CX35-48B		8266128
XC14-041-230	TXV	38,500	16.00	13.00	CX35-48C	EL180UH090E60C	8266131
XC14-041-230	TXV	38,500	15.50	12.50	CX35-48C	EL180UH110E60C	8266133
XC14-041-230	TXV	38,500	16.00	13.00	CX35-48C	EL180UH110XE60C	8266134
XC14-041-230	TXV	38,500	15.50	12.50	CX35-48C	EL195UH090XE48C	8266144
XC14-041-230	TXV	38,500	15.50	12.50	CX35-48C	EL195UH110XE60C	8266143
XC14-041-230	TXV	38,500	15.50	12.50	CX35-48C	EL296UH090XE48C	8266136
XC14-041-230	TXV	38,500	15.50	12.50	CX35-48C	EL296UH090XV36C	8266140
XC14-041-230	TXV	38,500	15.50	12.50	CX35-48C	EL296UH090XV48C	8266141
XC14-041-230	TXV	38,500	15.50	12.50	CX35-48C	EL296UH090XV60C	8266450
XC14-041-230	TXV	38,500	15.50	12.50	CX35-48C	EL296UH110XE60C	8266135
XC14-041-230	TXV	38,500	15.50	12.50	CX35-48C	EL296UH110XV60C	8266142
XC14-041-230	TXV	39,000	16.00	13.00	CX35-48C	SL280UH090V60C	8266147
XC14-041-230	TXV	39,000	16.00	13.00	CX35-48C	SL280UH090XV60C	8266146
XC14-041-230	TXV	38,500	15.50	12.50	CX35-48C	SL280UH110V60C	8266148

NOTES:

TXV = Matched with Thermostatic Expansion Valve.

RFC = Matched with RFC metering device.

AHRI certified to AHRI Standard 210/240 (with 25 ft. of connecting refrigerant lines); 95°F outdoor air temperature, 80°F db / 67°F wb entering evaporator air.

All ratings include the use of a blower time delay relay (TDR). All Lennox variable-speed furnaces and Air Handlers have time delay capabilities. Other Furnaces and Air Handlers may require an optional time delay relay (**58M81**) for field installation. See furnace or air handler specifications to determine if relay is needed.

Also see Expansion Valve Kit Usage Table.

AHRI SYSTEM MATCHES - ALL REGIONS - 018-024-030-041-042-047-048-060

NOTE - For the latest up-to-date system matches please visit the AHRI web site at <http://www.ahridirectory.org>

Model No.	Expansion Device	Capacity	SEER	EER	Coil or Air Handler	Furnace	AHRI Reference
XC14-041-230	TXV	38,500	15.50	12.50	CX35-48C	SL280UH110XV60C	8266145
XC14-041-230	TXV	38,500	15.50	12.50	CX35-48C	SLP98UH090XV36C	8266138
XC14-041-230	TXV	38,500	15.50	12.50	CX35-48C	SLP98UH090XV48C	8266139
XC14-041-230	TXV	38,500	15.50	12.50	CX35-48C	SLP98UH090XV60C	8266449
XC14-041-230	TXV	38,000	16.00	13.00	CX35-48C	SLP98UH110XV60C	8266137
XC14-041-230	TXV	38,000	14.50	12.20	CX35-48C		8266129
XC14-041-230	TXV	39,000	16.00	13.00	CX35-49C	EL180UH090E60C	8266151
XC14-041-230	TXV	39,000	16.00	13.00	CX35-49C	EL180UH110E60C	8266152
XC14-041-230	TXV	39,000	16.00	13.00	CX35-49C	EL180UH110XE60C	8266153
XC14-041-230	TXV	38,500	16.00	13.00	CX35-49C	EL195UH090XE48C	8266157
XC14-041-230	TXV	39,000	15.50	12.50	CX35-49C	EL195UH110XE60C	8266541
XC14-041-230	TXV	38,500	16.00	13.00	CX35-49C	EL296UH090XE48C	8266154
XC14-041-230	TXV	39,000	15.50	12.50	CX35-49C	EL296UH090XV48C	8266150
XC14-041-230	TXV	39,000	15.50	12.50	CX35-49C	EL296UH110XE60C	8266451
XC14-041-230	TXV	39,500	16.00	13.00	CX35-49C	EL296UH110XV60C	8266156
XC14-041-230	TXV	39,000	16.00	13.00	CX35-49C	SL280UH090V60C	8266158
XC14-041-230	TXV	39,000	16.00	13.00	CX35-49C	SL280UH110V60C	8266159
XC14-041-230	TXV	38,500	16.00	13.00	CX35-49C	SLP98UH110XV60C	8266155
XC14-041-230	TXV	38,500	14.50	12.20	CX35-49C		8266149
XC14-041-230	TXV	38,000	15.50	12.50	CX35-50/60C	EL180UH090E60C	8266160
XC14-041-230	TXV	38,000	15.50	12.50	CX35-50/60C	EL180UH110E60C	8266161
XC14-041-230	TXV	38,000	15.50	12.50	CX35-50/60C	EL180UH110XE60C	8266162
XC14-041-230	TXV	38,000	15.50	12.50	CX35-50/60C	EL195UH090XE48C	8266166
XC14-041-230	TXV	38,500	15.50	12.50	CX35-50/60C	EL195UH110XE60C	8266165
XC14-041-230	TXV	38,000	15.50	12.50	CX35-50/60C	EL296UH090XE48C	8266163
XC14-041-230	TXV	38,500	15.50	12.50	CX35-50/60C	EL296UH110XE60C	8266164
XC14-041-230	TXV	40,000	16.00	13.00	CX35-60C	EL180UH090E60C	8266167
XC14-041-230	TXV	40,000	16.00	13.00	CX35-60C	EL180UH110E60C	8266168
XC14-041-230	TXV	40,000	16.00	13.00	CX35-60C	EL180UH110XE60C	8266169
XC14-041-230	TXV	39,500	16.00	13.00	CX35-60C	EL195UH090XE48C	8266181
XC14-041-230	TXV	40,000	16.00	13.00	CX35-60C	EL195UH110XE60C	8266180
XC14-041-230	TXV	39,500	16.00	13.00	CX35-60C	EL296UH090XE48C	8266170
XC14-041-230	TXV	39,500	16.00	13.00	CX35-60C	EL296UH090XV36C	8266177
XC14-041-230	TXV	40,000	16.00	13.00	CX35-60C	EL296UH090XV48C	8266178
XC14-041-230	TXV	40,000	16.00	13.00	CX35-60C	EL296UH090XV60C	8266179
XC14-041-230	TXV	40,000	16.00	13.00	CX35-60C	EL296UH110XE60C	8266171
XC14-041-230	TXV	40,000	16.00	13.00	CX35-60C	EL296UH110XV60C	8266176
XC14-041-230	TXV	40,000	16.00	13.00	CX35-60C	SL280UH090V60C	8266182
XC14-041-230	TXV	40,000	16.00	13.00	CX35-60C	SL280UH110V60C	8266183
XC14-041-230	TXV	39,500	16.00	13.00	CX35-60C	SLP98UH090XV36C	8266172
XC14-041-230	TXV	40,000	16.00	13.00	CX35-60C	SLP98UH090XV48C	8266173
XC14-041-230	TXV	40,000	16.00	13.00	CX35-60C	SLP98UH090XV60C	8266174
XC14-041-230	TXV	40,000	16.00	13.00	CX35-60C	SLP98UH110XV60C	8266175
XC14-042-230A	RFC	42,000	14.25	12.20	C33-62C		7513891
XC14-042-230A	RFC	41,500	14.00	12.20	C35-49C		8471065
XC14-042-230A	RFC	41,000	14.00	12.20	C35-60D		8471067
XC14-042-230A	RFC	41,500	14.00	12.20	CH33-43C		7513871
XC14-042-230A	RFC	42,000	14.00	12.20	CH33-49		7513895
XC14-042-230A	RFC	41,500	14.00	12.20	CH33-50/60C		7513885

NOTES:

TXV = Matched with Thermostatic Expansion Valve.

RFC = Matched with RFC metering device.

AHRI certified to AHRI Standard 210/240 (with 25 ft. of connecting refrigerant lines); 95°F outdoor air temperature, 80°F db / 67°F wb entering evaporator air.

All ratings include the use of a blower time delay relay (TDR). All Lennox variable-speed furnaces and Air Handlers have time delay capabilities. Other Furnaces and Air Handlers may require an optional time delay relay (**58M81**) for field installation. See furnace or air handler specifications to determine if relay is needed.

Also see Expansion Valve Kit Usage Table.

AHRI SYSTEM MATCHES - ALL REGIONS - 018-024-030-041-042-047-048-060

NOTE - For the latest up-to-date system matches please visit the AHRI web site at <http://www.ahridirectory.org>

Model No.	Expansion Device	Capacity	SEER	EER	Coil or Air Handler	Furnace	AHRI Reference
XC14-042-230A	TXV	39,500	14.50	12.20	C33-36B	EL180UH090E48B	7514461
XC14-042-230A	TXV	39,500	14.50	12.20	C33-36B	EL180UH090XE48B	7514462
XC14-042-230A	TXV	39,500	14.50	12.20	C33-36B	SL280UH090V36B	7513896
XC14-042-230A	TXV	39,500	14.50	12.20	C33-36B	SL280UH090V48B	7513897
XC14-042-230A	TXV	39,500	14.50	12.20	C33-36B	SL280UH090XV48B	7513898
XC14-042-230A	TXV	39,500	14.50	12.20	C33-36C	EL180UH090E60C	7514443
XC14-042-230A	TXV	39,000	14.50	12.20	C33-36C	EL180UH110E60C	7514444
XC14-042-230A	TXV	39,000	14.50	12.20	C33-36C	EL180UH110XE60C	7514445
XC14-042-230A	TXV	39,000	14.50	12.20	C33-36C	EL195UH090XE48C	7514451
XC14-042-230A	TXV	39,500	14.50	12.20	C33-36C	EL195UH110XE60C	7514453
XC14-042-230A	TXV	39,000	14.50	12.20	C33-36C	EL296UH090XE48C	7514452
XC14-042-230A	TXV	39,000	14.50	12.20	C33-36C	EL296UH090XV48C	7514466
XC14-042-230A	TXV	39,500	14.50	12.20	C33-36C	EL296UH110XE60C	7514454
XC14-042-230A	TXV	39,500	14.50	12.20	C33-36C	EL296UH110XV60C	7514458
XC14-042-230A	TXV	39,500	14.50	12.20	C33-36C	SL280UH090V60C	7514459
XC14-042-230A	TXV	39,500	14.50	12.20	C33-36C	SL280UH090XV60C	7514460
XC14-042-230A	TXV	39,500	14.50	12.20	C33-36C	SL280UH110V60C	7514449
XC14-042-230A	TXV	39,500	14.50	12.20	C33-36C	SL280UH110XV60C	7514450
XC14-042-230A	TXV	39,000	14.50	12.20	C33-36C	SLP98UH090XV48C	7514465
XC14-042-230A	TXV	39,500	14.50	12.20	C33-36C	SLP98UH110XV60C	7514457
XC14-042-230A	TXV	41,000	15.10	12.50	C33-38B	EL180UH090E48B	7514439
XC14-042-230A	TXV	41,000	15.10	12.50	C33-38B	EL180UH090XE48B	7514440
XC14-042-230A	TXV	40,500	14.50	12.20	C33-38B	EL296UH045XV36B	7514441
XC14-042-230A	TXV	40,500	14.50	12.20	C33-38B	EL296UH070XV36B	7514447
XC14-042-230A	TXV	41,000	15.10	12.50	C33-38B	SL280UH090V36B	7514448
XC14-042-230A	TXV	41,000	15.10	12.50	C33-38B	SL280UH090V48B	7514437
XC14-042-230A	TXV	41,000	15.10	12.50	C33-38B	SL280UH090XV48B	7514438
XC14-042-230A	TXV	40,500	14.50	12.20	C33-38B	SLP98UH070XV36B	7514446
XC14-042-230A	TXV	39,500	14.50	12.20	C33-42	EL180UH090E48B	7514436
XC14-042-230A	TXV	39,500	14.50	12.20	C33-42	EL180UH090XE48B	7514425
XC14-042-230A	TXV	39,500	14.50	12.20	C33-42	SL280UH090V36B	7514433
XC14-042-230A	TXV	39,500	14.50	12.20	C33-42	SL280UH090V48B	7514434
XC14-042-230A	TXV	39,500	14.50	12.20	C33-42	SL280UH090XV48B	7514435
XC14-042-230A	TXV	41,500	15.50	12.50	C33-43B	EL180UH090E48B	7514420
XC14-042-230A	TXV	41,500	15.50	12.50	C33-43B	EL180UH090XE48B	7514421
XC14-042-230A	TXV	41,000	14.50	12.20	C33-43B	EL296UH045XV36B	7514426
XC14-042-230A	TXV	41,000	14.50	12.20	C33-43B	EL296UH070XV36B	7514428
XC14-042-230A	TXV	41,000	15.10	12.50	C33-43B	SL280UH090V36B	7514429
XC14-042-230A	TXV	41,500	15.10	12.50	C33-43B	SL280UH090V48B	7514430
XC14-042-230A	TXV	41,500	15.10	12.50	C33-43B	SL280UH090XV48B	7514419
XC14-042-230A	TXV	41,000	14.50	12.20	C33-43B	SLP98UH070XV36B	7514427
XC14-042-230A	TXV	41,500	15.50	12.50	C33-43C	EL180UH090E60C	7514411
XC14-042-230A	TXV	41,500	15.50	12.50	C33-43C	EL180UH110E60C	7514412
XC14-042-230A	TXV	41,500	15.50	12.50	C33-43C	EL180UH110XE60C	7514401
XC14-042-230A	TXV	41,000	15.50	12.50	C33-43C	EL195UH090XE48C	7514402
XC14-042-230A	TXV	41,500	15.50	12.50	C33-43C	EL195UH110XE60C	7514404
XC14-042-230A	TXV	41,000	15.50	12.50	C33-43C	EL296UH090XE48C	7514403
XC14-042-230A	TXV	41,000	15.10	12.50	C33-43C	EL296UH090XV36C	7514423
XC14-042-230A	TXV	41,000	15.10	12.50	C33-43C	EL296UH090XV48C	7514413

NOTES:

TXV = Matched with Thermostatic Expansion Valve.

RFC = Matched with RFC metering device.

AHRI certified to AHRI Standard 210/240 (with 25 ft. of connecting refrigerant lines); 95°F outdoor air temperature, 80°F db / 67°F wb entering evaporator air.

All ratings include the use of a blower time delay relay (TDR). All Lennox variable-speed furnaces and Air Handlers have time delay capabilities. Other Furnaces and Air Handlers may require an optional time delay relay (**58M81**) for field installation. See furnace or air handler specifications to determine if relay is needed.

Also see Expansion Valve Kit Usage Table.

AHRI SYSTEM MATCHES - ALL REGIONS - 018-024-030-041-042-047-048-060

NOTE - For the latest up-to-date system matches please visit the AHRI web site at <http://www.ahridirectory.org>

Model No.	Expansion Device	Capacity	SEER	EER	Coil or Air Handler	Furnace	AHRI Reference
XC14-042-230A	TXV	41,500	15.10	12.50	C33-43C	EL296UH090XV60C	7514416
XC14-042-230A	TXV	41,500	15.50	12.50	C33-43C	EL296UH110XE60C	7514405
XC14-042-230A	TXV	41,500	15.10	12.50	C33-43C	EL296UH110XV48C	7514414
XC14-042-230A	TXV	41,500	15.50	12.50	C33-43C	EL296UH110XV60C	7514418
XC14-042-230A	TXV	41,500	15.50	12.50	C33-43C	SL280UH090V60C	7514407
XC14-042-230A	TXV	41,500	15.50	12.50	C33-43C	SL280UH090XV60C	7514408
XC14-042-230A	TXV	41,500	15.50	12.50	C33-43C	SL280UH110V60C	7514409
XC14-042-230A	TXV	41,500	15.50	12.50	C33-43C	SL280UH110XV60C	7514410
XC14-042-230A	TXV	41,000	15.10	12.50	C33-43C	SLP98UH090XV36C	7514422
XC14-042-230A	TXV	41,000	15.10	12.50	C33-43C	SLP98UH090XV48C	7514424
XC14-042-230A	TXV	41,500	15.10	12.50	C33-43C	SLP98UH090XV60C	7514415
XC14-042-230A	TXV	41,500	15.50	12.50	C33-43C	SLP98UH110XV60C	7514417
XC14-042-230A	TXV	40,500	15.10	12.50	C33-48B	EL180UH090E48B	7514397
XC14-042-230A	TXV	40,500	15.10	12.50	C33-48B	EL180UH090XE48B	7514398
XC14-042-230A	TXV	40,500	14.50	12.20	C33-48B	EL296UH045XV36B	7514406
XC14-042-230A	TXV	40,500	15.00	12.50	C33-48B	SL280UH090V36B	7514399
XC14-042-230A	TXV	40,500	15.00	12.50	C33-48B	SL280UH090V48B	7514400
XC14-042-230A	TXV	40,500	15.00	12.50	C33-48B	SL280UH090XV48B	7514389
XC14-042-230A	TXV	41,000	15.10	12.50	C33-48C	EL180UH090E60C	7514390
XC14-042-230A	TXV	40,500	15.10	12.50	C33-48C	EL180UH110E60C	7514391
XC14-042-230A	TXV	40,500	15.10	12.50	C33-48C	EL180UH110XE60C	7514392
XC14-042-230A	TXV	40,500	15.10	12.50	C33-48C	EL195UH090XE48C	7514393
XC14-042-230A	TXV	41,000	15.10	12.50	C33-48C	EL195UH110XE60C	7514394
XC14-042-230A	TXV	40,500	15.10	12.50	C33-48C	EL296UH090XE48C	7514383
XC14-042-230A	TXV	40,500	15.00	12.50	C33-48C	EL296UH090XV36C	7514384
XC14-042-230A	TXV	40,500	15.10	12.50	C33-48C	EL296UH090XV48C	7514385
XC14-042-230A	TXV	41,000	15.00	12.50	C33-48C	EL296UH090XV60C	7514386
XC14-042-230A	TXV	41,000	15.10	12.50	C33-48C	EL296UH110XE60C	7514387
XC14-042-230A	TXV	40,500	15.10	12.50	C33-48C	EL296UH110XV48C	7514388
XC14-042-230A	TXV	40,500	15.10	12.50	C33-48C	EL296UH110XV60C	7514377
XC14-042-230A	TXV	41,000	15.10	12.50	C33-48C	SL280UH090V60C	7514378
XC14-042-230A	TXV	41,000	15.10	12.50	C33-48C	SL280UH090XV60C	7514379
XC14-042-230A	TXV	40,500	15.00	12.50	C33-48C	SL280UH110V60C	7514380
XC14-042-230A	TXV	40,500	15.00	12.50	C33-48C	SL280UH110XV60C	7514381
XC14-042-230A	TXV	40,500	15.00	12.50	C33-48C	SLP98UH090XV36C	7514371
XC14-042-230A	TXV	40,500	15.10	12.50	C33-48C	SLP98UH090XV48C	7514372
XC14-042-230A	TXV	41,000	15.00	12.50	C33-48C	SLP98UH090XV60C	7514382
XC14-042-230A	TXV	40,500	15.10	12.50	C33-48C	SLP98UH110XV60C	7514373
XC14-042-230A	TXV	42,000	16.00	13.00	C33-49	EL180UH090E60C	7513926
XC14-042-230A	TXV	42,000	16.00	13.00	C33-49	EL180UH110E60C	7513915
XC14-042-230A	TXV	42,000	16.00	13.00	C33-49	EL180UH110XE60C	7513916
XC14-042-230A	TXV	41,500	15.50	12.50	C33-49	EL195UH090XE48C	7513917
XC14-042-230A	TXV	42,000	15.50	12.50	C33-49	EL195UH110XE60C	7513918
XC14-042-230A	TXV	41,500	15.50	12.50	C33-49	EL296UH090XE48C	7513919
XC14-042-230A	TXV	41,500	15.50	12.50	C33-49	EL296UH090XV36C	7513920
XC14-042-230A	TXV	41,500	15.50	12.50	C33-49	EL296UH090XV48C	7513909
XC14-042-230A	TXV	42,000	15.50	12.50	C33-49	EL296UH090XV60C	7513910
XC14-042-230A	TXV	42,000	15.50	12.50	C33-49	EL296UH110XE60C	7513911
XC14-042-230A	TXV	42,000	15.50	12.50	C33-49	EL296UH110XV48C	7513912

NOTES:

TXV = Matched with Thermostatic Expansion Valve.

RFC = Matched with RFC metering device.

AHRI certified to AHRI Standard 210/240 (with 25 ft. of connecting refrigerant lines); 95°F outdoor air temperature, 80°F db / 67°F wb entering evaporator air.

All ratings include the use of a blower time delay relay (TDR). All Lennox variable-speed furnaces and Air Handlers have time delay capabilities. Other Furnaces and Air Handlers may require an optional time delay relay (**58M81**) for field installation. See furnace or air handler specifications to determine if relay is needed.

Also see Expansion Valve Kit Usage Table.

AHRI SYSTEM MATCHES - ALL REGIONS - 018-024-030-041-042-047-048-060

NOTE - For the latest up-to-date system matches please visit the AHRI web site at <http://www.ahridirectory.org>

Model No.	Expansion Device	Capacity	SEER	EER	Coil or Air Handler	Furnace	AHRI Reference
XC14-042-230A	TXV	42,000	15.50	12.50	C33-49	EL296UH110XV60C	7513913
XC14-042-230A	TXV	42,000	16.00	13.00	C33-49	SL280UH090V60C	7513914
XC14-042-230A	TXV	42,000	16.00	13.00	C33-49	SL280UH090XV60C	7513903
XC14-042-230A	TXV	42,000	15.50	12.50	C33-49	SL280UH110V60C	7513904
XC14-042-230A	TXV	42,000	15.50	12.50	C33-49	SL280UH110XV60C	7513905
XC14-042-230A	TXV	41,500	15.50	12.50	C33-49	SLP98UH090XV36C	7513906
XC14-042-230A	TXV	41,500	15.50	12.50	C33-49	SLP98UH090XV48C	7513907
XC14-042-230A	TXV	42,000	15.50	12.50	C33-49	SLP98UH090XV60C	7513908
XC14-042-230A	TXV	42,000	15.50	12.50	C33-49	SLP98UH110XV60C	7513902
XC14-042-230A	TXV	41,500	14.25	12.20	C33-49		7513877
XC14-042-230A	TXV	41,000	15.50	12.50	C33-50/60C	EL180UH090E60C	7514374
XC14-042-230A	TXV	41,000	15.50	12.50	C33-50/60C	EL180UH110E60C	7514375
XC14-042-230A	TXV	41,000	15.50	12.50	C33-50/60C	EL180UH110XE60C	7514376
XC14-042-230A	TXV	41,000	15.10	12.50	C33-50/60C	EL195UH090XE48C	7514365
XC14-042-230A	TXV	41,000	15.10	12.50	C33-50/60C	EL195UH110XE60C	7514366
XC14-042-230A	TXV	41,000	15.10	12.50	C33-50/60C	EL296UH090XE48C	7514367
XC14-042-230A	TXV	41,000	15.10	12.50	C33-50/60C	EL296UH090XV36C	7514368
XC14-042-230A	TXV	41,000	15.10	12.50	C33-50/60C	EL296UH090XV48C	7514369
XC14-042-230A	TXV	41,000	15.10	12.50	C33-50/60C	EL296UH090XV60C	7514370
XC14-042-230A	TXV	41,000	15.10	12.50	C33-50/60C	EL296UH110XE60C	7514359
XC14-042-230A	TXV	41,000	15.10	12.50	C33-50/60C	EL296UH110XV48C	7514360
XC14-042-230A	TXV	41,000	15.10	12.50	C33-50/60C	EL296UH110XV60C	7514361
XC14-042-230A	TXV	41,500	15.10	12.50	C33-50/60C	SL280UH090V60C	7514362
XC14-042-230A	TXV	41,500	15.10	12.50	C33-50/60C	SL280UH090XV60C	7514363
XC14-042-230A	TXV	41,000	15.10	12.50	C33-50/60C	SL280UH110V60C	7514364
XC14-042-230A	TXV	41,000	15.10	12.50	C33-50/60C	SL280UH110XV60C	7514353
XC14-042-230A	TXV	41,000	15.10	12.50	C33-50/60C	SLP98UH090XV36C	7514354
XC14-042-230A	TXV	41,000	15.10	12.50	C33-50/60C	SLP98UH090XV48C	7514355
XC14-042-230A	TXV	41,000	15.10	12.50	C33-50/60C	SLP98UH090XV60C	7514356
XC14-042-230A	TXV	41,000	15.10	12.50	C33-50/60C	SLP98UH110XV60C	7514357
XC14-042-230A	TXV	42,000	16.00	13.00	C33-60D	EL180UH135E60D	7514358
XC14-042-230A	TXV	42,000	15.50	12.50	C33-60D	EL195UH135XE60D	7514347
XC14-042-230A	TXV	42,000	15.50	12.50	C33-60D	EL296UH135XE60D	7514348
XC14-042-230A	TXV	42,000	16.00	13.00	C33-60D	SL280UH135V60D	7514349
XC14-042-230A	TXV	42,000	16.00	13.00	C33-62C	EL180UH090E60C	7514350
XC14-042-230A	TXV	42,000	16.00	13.00	C33-62C	EL180UH110E60C	7514351
XC14-042-230A	TXV	42,000	16.00	13.00	C33-62C	EL180UH110XE60C	7514352
XC14-042-230A	TXV	42,000	16.00	13.00	C33-62C	EL195UH090XE48C	7514341
XC14-042-230A	TXV	42,000	16.00	13.00	C33-62C	EL195UH110XE60C	7514342
XC14-042-230A	TXV	42,000	16.00	13.00	C33-62C	EL296UH090XE48C	7514343
XC14-042-230A	TXV	42,000	15.50	12.50	C33-62C	EL296UH090XV36C	7514344
XC14-042-230A	TXV	42,000	16.00	13.00	C33-62C	EL296UH090XV48C	7514345
XC14-042-230A	TXV	42,000	15.50	12.50	C33-62C	EL296UH090XV60C	7514346
XC14-042-230A	TXV	42,000	16.00	13.00	C33-62C	EL296UH110XE60C	7514335
XC14-042-230A	TXV	42,000	16.00	13.00	C33-62C	EL296UH110XV48C	7514336
XC14-042-230A	TXV	42,000	16.00	13.00	C33-62C	EL296UH110XV60C	7514337
XC14-042-230A	TXV	42,000	16.00	13.00	C33-62C	SL280UH090V60C	7514338
XC14-042-230A	TXV	42,000	16.00	13.00	C33-62C	SL280UH090XV60C	7514339
XC14-042-230A	TXV	42,000	16.00	13.00	C33-62C	SL280UH110V60C	7514340

NOTES:

TXV = Matched with Thermostatic Expansion Valve.

RFC = Matched with RFC metering device.

AHRI certified to AHRI Standard 210/240 (with 25 ft. of connecting refrigerant lines); 95°F outdoor air temperature, 80°F db / 67°F wb entering evaporator air.

All ratings include the use of a blower time delay relay (TDR). All Lennox variable-speed furnaces and Air Handlers have time delay capabilities. Other Furnaces and Air Handlers may require an optional time delay relay (**58M81**) for field installation. See furnace or air handler specifications to determine if relay is needed.

Also see Expansion Valve Kit Usage Table.

AHRI SYSTEM MATCHES - ALL REGIONS - 018-024-030-041-042-047-048-060

NOTE - For the latest up-to-date system matches please visit the AHRI web site at <http://www.ahridirectory.org>

Model No.	Expansion Device	Capacity	SEER	EER	Coil or Air Handler	Furnace	AHRI Reference
XC14-042-230A	TXV	42,000	16.00	13.00	C33-62C	SL280UH110XV60C	7514329
XC14-042-230A	TXV	42,000	15.50	12.50	C33-62C	SLP98UH090XV36C	7514330
XC14-042-230A	TXV	42,000	16.00	13.00	C33-62C	SLP98UH090XV48C	7514331
XC14-042-230A	TXV	42,000	15.50	12.50	C33-62C	SLP98UH090XV60C	7514332
XC14-042-230A	TXV	42,000	16.00	13.00	C33-62C	SLP98UH110XV60C	7514333
XC14-042-230A	TXV	42,000	14.25	12.20	C33-62C		7513892
XC14-042-230A	TXV	42,000	16.00	13.00	C33-62D	EL180UH135E60D	7514334
XC14-042-230A	TXV	42,000	15.50	12.50	C33-62D	EL195UH135XE60D	7514323
XC14-042-230A	TXV	42,000	15.50	12.50	C33-62D	EL296UH135XE60D	7514324
XC14-042-230A	TXV	42,000	16.00	13.00	C33-62D	SL280UH135V60D	7514325
XC14-042-230A	TXV	41,500	14.25	12.20	C33-62D		7513893
XC14-042-230A	TXV	39,500	14.50	12.20	C35-30/36B	EL180UH090E48B	8261044
XC14-042-230A	TXV	39,500	14.50	12.20	C35-30/36B	EL180UH090XE48B	8261045
XC14-042-230A	TXV	39,500	14.50	12.20	C35-30/36B	SL280UH090V36B	8261039
XC14-042-230A	TXV	39,500	14.50	12.20	C35-30/36B	SL280UH090V48B	8261040
XC14-042-230A	TXV	39,500	14.50	12.20	C35-30/36B	SL280UH090XV48B	8261042
XC14-042-230A	TXV	39,500	14.50	12.20	C35-30/36C	EL180UH090E60C	8261047
XC14-042-230A	TXV	39,000	14.50	12.20	C35-30/36C	EL180UH110E60C	8261049
XC14-042-230A	TXV	39,000	14.50	12.20	C35-30/36C	EL180UH110XE60C	8261050
XC14-042-230A	TXV	39,000	14.50	12.20	C35-30/36C	EL195UH090XE48C	8261056
XC14-042-230A	TXV	39,500	14.50	12.20	C35-30/36C	EL195UH110XE60C	8261059
XC14-042-230A	TXV	39,000	14.50	12.20	C35-30/36C	EL296UH090XE48C	8261057
XC14-042-230A	TXV	39,000	14.50	12.20	C35-30/36C	EL296UH090XV48C	8261071
XC14-042-230A	TXV	39,500	14.50	12.20	C35-30/36C	EL296UH110XE60C	8261061
XC14-042-230A	TXV	39,500	14.50	12.20	C35-30/36C	EL296UH110XV60C	8261064
XC14-042-230A	TXV	39,500	14.50	12.20	C35-30/36C	SL280UH090V60C	8261066
XC14-042-230A	TXV	39,500	14.50	12.20	C35-30/36C	SL280UH090XV60C	8261067
XC14-042-230A	TXV	39,500	14.50	12.20	C35-30/36C	SL280UH110V60C	8261052
XC14-042-230A	TXV	39,500	14.50	12.20	C35-30/36C	SL280UH110XV60C	8261054
XC14-042-230A	TXV	39,000	14.50	12.20	C35-30/36C	SLP98UH090XV48C	8261069
XC14-042-230A	TXV	39,500	14.50	12.20	C35-30/36C	SLP98UH110XV60C	8261062
XC14-042-230A	TXV	41,000	15.10	12.50	C35-36B	EL180UH090E48B	8261076
XC14-042-230A	TXV	41,000	15.10	12.50	C35-36B	EL180UH090XE48B	8261077
XC14-042-230A	TXV	40,500	14.50	12.20	C35-36B	EL296UH045XV36B	8261079
XC14-042-230A	TXV	40,500	14.50	12.20	C35-36B	EL296UH070XV36B	8261082
XC14-042-230A	TXV	41,000	15.10	12.50	C35-36B	SL280UH090V36B	8261084
XC14-042-230A	TXV	41,000	15.10	12.50	C35-36B	SL280UH090V48B	8261072
XC14-042-230A	TXV	41,000	15.10	12.50	C35-36B	SL280UH090XV48B	8261074
XC14-042-230A	TXV	40,500	14.50	12.20	C35-36B	SLP98UH070XV36B	8261081
XC14-042-230A	TXV	41,500	15.50	12.50	C35-48B	EL180UH090E48B	8261936
XC14-042-230A	TXV	41,500	15.50	12.50	C35-48B	EL180UH090XE48B	8261937
XC14-042-230A	TXV	41,000	14.50	12.20	C35-48B	EL296UH045XV36B	8261939
XC14-042-230A	TXV	41,000	14.50	12.20	C35-48B	EL296UH070XV36B	8261942
XC14-042-230A	TXV	41,000	15.10	12.50	C35-48B	SL280UH090V36B	8261944
XC14-042-230A	TXV	41,500	15.10	12.50	C35-48B	SL280UH090V48B	8261946
XC14-042-230A	TXV	41,500	15.10	12.50	C35-48B	SL280UH090XV48B	8261934
XC14-042-230A	TXV	41,000	14.50	12.20	C35-48B	SLP98UH070XV36B	8261941
XC14-042-230A	TXV	41,500	15.50	12.50	C35-48C	EL180UH090E60C	8261962
XC14-042-230A	TXV	41,500	15.50	12.50	C35-48C	EL180UH110E60C	8261964

NOTES:

TXV = Matched with Thermostatic Expansion Valve.

RFC = Matched with RFC metering device.

AHRI certified to AHRI Standard 210/240 (with 25 ft. of connecting refrigerant lines); 95°F outdoor air temperature, 80°F db / 67°F wb entering evaporator air.

All ratings include the use of a blower time delay relay (TDR). All Lennox variable-speed furnaces and Air Handlers have time delay capabilities. Other Furnaces and Air Handlers may require an optional time delay relay (**58M81**) for field installation. See furnace or air handler specifications to determine if relay is needed.

Also see Expansion Valve Kit Usage Table.

AHRI SYSTEM MATCHES - ALL REGIONS - 018-024-030-041-042-047-048-060

NOTE - For the latest up-to-date system matches please visit the AHRI web site at <http://www.ahridirectory.org>

Model No.	Expansion Device	Capacity	SEER	EER	Coil or Air Handler	Furnace	AHRI Reference
XC14-042-230A	TXV	41,500	15.50	12.50	C35-48C	EL180UH110XE60C	8261947
XC14-042-230A	TXV	41,000	15.50	12.50	C35-48C	EL195UH090XE48C	8261949
XC14-042-230A	TXV	41,500	15.50	12.50	C35-48C	EL195UH110XE60C	8261952
XC14-042-230A	TXV	41,000	15.50	12.50	C35-48C	EL296UH090XE48C	8261950
XC14-042-230A	TXV	41,000	15.10	12.50	C35-48C	EL296UH090XV36C	8261977
XC14-042-230A	TXV	41,000	15.10	12.50	C35-48C	EL296UH090XV48C	8261965
XC14-042-230A	TXV	41,500	15.10	12.50	C35-48C	EL296UH090XV60C	8261970
XC14-042-230A	TXV	41,500	15.50	12.50	C35-48C	EL296UH110XE60C	8261954
XC14-042-230A	TXV	41,500	15.10	12.50	C35-48C	EL296UH110XV48C	8261967
XC14-042-230A	TXV	41,500	15.50	12.50	C35-48C	EL296UH110XV60C	8261974
XC14-042-230A	TXV	41,500	15.50	12.50	C35-48C	SL280UH090V60C	8261956
XC14-042-230A	TXV	41,500	15.50	12.50	C35-48C	SL280UH090XV60C	8261957
XC14-042-230A	TXV	41,500	15.50	12.50	C35-48C	SL280UH110V60C	8261959
XC14-042-230A	TXV	41,500	15.50	12.50	C35-48C	SL280UH110XV60C	8261960
XC14-042-230A	TXV	41,000	15.10	12.50	C35-48C	SLP98UH090XV36C	8261975
XC14-042-230A	TXV	41,000	15.10	12.50	C35-48C	SLP98UH090XV48C	8261979
XC14-042-230A	TXV	41,500	15.10	12.50	C35-48C	SLP98UH090XV60C	8261969
XC14-042-230A	TXV	41,500	15.50	12.50	C35-48C	SLP98UH110XV60C	8261972
XC14-042-230A	TXV	42,000	16.00	13.00	C35-49C	EL180UH090E60C	8262013
XC14-042-230A	TXV	42,000	16.00	13.00	C35-49C	EL180UH110E60C	8262003
XC14-042-230A	TXV	42,000	16.00	13.00	C35-49C	EL180UH110XE60C	8262004
XC14-042-230A	TXV	41,500	15.50	12.50	C35-49C	EL195UH090XE48C	8262006
XC14-042-230A	TXV	42,000	15.50	12.50	C35-49C	EL195UH110XE60C	8262008
XC14-042-230A	TXV	41,500	15.50	12.50	C35-49C	EL296UH090XE48C	8262009
XC14-042-230A	TXV	41,500	15.50	12.50	C35-49C	EL296UH090XV36C	8262011
XC14-042-230A	TXV	41,500	15.50	12.50	C35-49C	EL296UH090XV48C	8261993
XC14-042-230A	TXV	42,000	15.50	12.50	C35-49C	EL296UH090XV60C	8261995
XC14-042-230A	TXV	42,000	15.50	12.50	C35-49C	EL296UH110XE60C	8261996
XC14-042-230A	TXV	42,000	15.50	12.50	C35-49C	EL296UH110XV48C	8261998
XC14-042-230A	TXV	42,000	15.50	12.50	C35-49C	EL296UH110XV60C	8262000
XC14-042-230A	TXV	42,000	16.00	13.00	C35-49C	SL280UH090V60C	8262001
XC14-042-230A	TXV	42,000	16.00	13.00	C35-49C	SL280UH090XV60C	8261984
XC14-042-230A	TXV	42,000	15.50	12.50	C35-49C	SL280UH110V60C	8261985
XC14-042-230A	TXV	42,000	15.50	12.50	C35-49C	SL280UH110XV60C	8261987
XC14-042-230A	TXV	41,500	15.50	12.50	C35-49C	SLP98UH090XV36C	8261988
XC14-042-230A	TXV	41,500	15.50	12.50	C35-49C	SLP98UH090XV48C	8261990
XC14-042-230A	TXV	42,000	15.50	12.50	C35-49C	SLP98UH090XV60C	8261991
XC14-042-230A	TXV	42,000	15.50	12.50	C35-49C	SLP98UH110XV60C	8261982
XC14-042-230A	TXV	41,500	14.25	12.20	C35-49C		8261980
XC14-042-230A	TXV	41,000	15.50	12.50	C35-50/60C	EL180UH090E60C	8261122
XC14-042-230A	TXV	41,000	15.50	12.50	C35-50/60C	EL180UH110E60C	8261123
XC14-042-230A	TXV	41,000	15.50	12.50	C35-50/60C	EL180UH110XE60C	8261125
XC14-042-230A	TXV	41,000	15.10	12.50	C35-50/60C	EL195UH090XE48C	8261111
XC14-042-230A	TXV	41,000	15.10	12.50	C35-50/60C	EL195UH110XE60C	8261113
XC14-042-230A	TXV	41,000	15.10	12.50	C35-50/60C	EL296UH090XE48C	8261115
XC14-042-230A	TXV	41,000	15.10	12.50	C35-50/60C	EL296UH090XV36C	8261116
XC14-042-230A	TXV	41,000	15.10	12.50	C35-50/60C	EL296UH090XV48C	8261118
XC14-042-230A	TXV	41,000	15.10	12.50	C35-50/60C	EL296UH090XV60C	8261120
XC14-042-230A	TXV	41,000	15.10	12.50	C35-50/60C	EL296UH110XE60C	8261101

NOTES:

TXV = Matched with Thermostatic Expansion Valve.

RFC = Matched with RFC metering device.

AHRI certified to AHRI Standard 210/240 (with 25 ft. of connecting refrigerant lines); 95°F outdoor air temperature, 80°F db / 67°F wb entering evaporator air.

All ratings include the use of a blower time delay relay (TDR). All Lennox variable-speed furnaces and Air Handlers have time delay capabilities. Other Furnaces and Air Handlers may require an optional time delay relay (**58M81**) for field installation. See furnace or air handler specifications to determine if relay is needed.

Also see Expansion Valve Kit Usage Table.

AHRI SYSTEM MATCHES - ALL REGIONS - 018-024-030-041-042-047-048-060

NOTE - For the latest up-to-date system matches please visit the AHRI web site at <http://www.ahridirectory.org>

Model No.	Expansion Device	Capacity	SEER	EER	Coil or Air Handler	Furnace	AHRI Reference
XC14-042-230A	TXV	41,000	15.10	12.50	C35-50/60C	EL296UH110XV48C	8261103
XC14-042-230A	TXV	41,000	15.10	12.50	C35-50/60C	EL296UH110XV60C	8261105
XC14-042-230A	TXV	41,500	15.10	12.50	C35-50/60C	SL280UH090V60C	8261106
XC14-042-230A	TXV	41,500	15.10	12.50	C35-50/60C	SL280UH090XV60C	8261108
XC14-042-230A	TXV	41,000	15.10	12.50	C35-50/60C	SL280UH110V60C	8261110
XC14-042-230A	TXV	41,000	15.10	12.50	C35-50/60C	SL280UH110XV60C	8261093
XC14-042-230A	TXV	41,000	15.10	12.50	C35-50/60C	SLP98UH090XV36C	8261095
XC14-042-230A	TXV	41,000	15.10	12.50	C35-50/60C	SLP98UH090XV48C	8261096
XC14-042-230A	TXV	41,000	15.10	12.50	C35-50/60C	SLP98UH090XV60C	8261098
XC14-042-230A	TXV	41,000	15.10	12.50	C35-50/60C	SLP98UH110XV60C	8261100
XC14-042-230A	TXV	42,000	16.00	13.00	C35-60C	EL180UH090E60C	8262052
XC14-042-230A	TXV	42,000	16.00	13.00	C35-60C	EL180UH110E60C	8262053
XC14-042-230A	TXV	42,000	16.00	13.00	C35-60C	EL180UH110XE60C	8262055
XC14-042-230A	TXV	42,000	16.00	13.00	C35-60C	EL195UH090XE48C	8262042
XC14-042-230A	TXV	42,000	16.00	13.00	C35-60C	EL195UH110XE60C	8262043
XC14-042-230A	TXV	42,000	16.00	13.00	C35-60C	EL296UH090XE48C	8262045
XC14-042-230A	TXV	42,000	15.50	12.50	C35-60C	EL296UH090XV36C	8262047
XC14-042-230A	TXV	42,000	16.00	13.00	C35-60C	EL296UH090XV48C	8262048
XC14-042-230A	TXV	42,000	15.50	12.50	C35-60C	EL296UH090XV60C	8262050
XC14-042-230A	TXV	42,000	16.00	13.00	C35-60C	EL296UH110XE60C	8262032
XC14-042-230A	TXV	42,000	16.00	13.00	C35-60C	EL296UH110XV48C	8262034
XC14-042-230A	TXV	42,000	16.00	13.00	C35-60C	EL296UH110XV60C	8262035
XC14-042-230A	TXV	42,000	16.00	13.00	C35-60C	SL280UH090V60C	8262037
XC14-042-230A	TXV	42,000	16.00	13.00	C35-60C	SL280UH090XV60C	8262039
XC14-042-230A	TXV	42,000	16.00	13.00	C35-60C	SL280UH110V60C	8262040
XC14-042-230A	TXV	42,000	16.00	13.00	C35-60C	SL280UH110XV60C	8262024
XC14-042-230A	TXV	42,000	15.50	12.50	C35-60C	SLP98UH090XV36C	8262025
XC14-042-230A	TXV	42,000	16.00	13.00	C35-60C	SLP98UH090XV48C	8262027
XC14-042-230A	TXV	42,000	15.50	12.50	C35-60C	SLP98UH090XV60C	8262029
XC14-042-230A	TXV	42,000	16.00	13.00	C35-60C	SLP98UH110XV60C	8262030
XC14-042-230A	TXV	42,000	14.25	12.20	C35-60C		8262022
XC14-042-230A	TXV	42,000	16.00	13.00	C35-60D	EL180UH135E60D	8262063
XC14-042-230A	TXV	42,000	15.50	12.50	C35-60D	EL195UH135XE60D	8262058
XC14-042-230A	TXV	42,000	15.50	12.50	C35-60D	EL296UH135XE60D	8262060
XC14-042-230A	TXV	42,000	16.00	13.00	C35-60D	SL280UH135V60D	8262062
XC14-042-230A	TXV	41,500	14.25	12.20	C35-60D		8262057
XC14-042-230A	TXV	41,500	14.00	12.20	CBX25UH-042		7514328
XC14-042-230A	TXV	42,000	14.50	12.50	CBX25UH-048		7514317
XC14-042-230A	TXV	42,000	15.10	12.50	CBX25UHV-042		7514318
XC14-042-230A	TXV	42,000	15.50	12.50	CBX25UHV-048		7514319
XC14-042-230A	TXV	41,500	15.50	12.50	CBX27UH-042		7514326
XC14-042-230A	TXV	42,000	15.10	12.50	CBX27UH-048		7514327
XC14-042-230A	TXV	40,500	14.00	12.20	CBX32M-042		7514320
XC14-042-230A	TXV	41,500	14.25	12.20	CBX32M-048		7514321
XC14-042-230A	TXV	42,000	15.10	12.50	CBX32MV-048		7514322
XC14-042-230A	TXV	42,000	15.00	12.50	CBX40UHV-042		7514311
XC14-042-230A	TXV	42,000	15.00	12.50	CBX40UHV-048		7514312
XC14-042-230A	TXV	40,500	15.10	12.50	CH23-51	EL180UH090E60C	7514313
XC14-042-230A	TXV	40,000	15.10	12.50	CH23-51	EL180UH110E60C	7514314

NOTES:

TXV = Matched with Thermostatic Expansion Valve.

RFC = Matched with RFC metering device.

AHRI certified to AHRI Standard 210/240 (with 25 ft. of connecting refrigerant lines); 95°F outdoor air temperature, 80°F db / 67°F wb entering evaporator air.

All ratings include the use of a blower time delay relay (TDR). All Lennox variable-speed furnaces and Air Handlers have time delay capabilities. Other Furnaces and Air Handlers may require an optional time delay relay (**58M81**) for field installation. See furnace or air handler specifications to determine if relay is needed.

Also see Expansion Valve Kit Usage Table.

AHRI SYSTEM MATCHES - ALL REGIONS - 018-024-030-041-042-047-048-060

NOTE - For the latest up-to-date system matches please visit the AHRI web site at <http://www.ahridirectory.org>

Model No.	Expansion Device	Capacity	SEER	EER	Coil or Air Handler	Furnace	AHRI Reference
XC14-042-230A	TXV	40,000	15.10	12.50	CH23-51	EL180UH110XE60C	7514315
XC14-042-230A	TXV	40,000	15.10	12.50	CH23-51	EL296UH090XV48C	7514316
XC14-042-230A	TXV	40,000	15.10	12.50	CH23-51	EL296UH090XV60C	7514305
XC14-042-230A	TXV	40,000	15.10	12.50	CH23-51	EL296UH110XV48C	7514306
XC14-042-230A	TXV	40,000	15.10	12.50	CH23-51	EL296UH110XV60C	7514307
XC14-042-230A	TXV	40,500	15.10	12.50	CH23-51	SL280UH090V60C	7514308
XC14-042-230A	TXV	40,000	15.10	12.50	CH23-51	SL280UH110V60C	7514309
XC14-042-230A	TXV	40,000	15.10	12.50	CH23-51	SL280UH110XV60C	7514310
XC14-042-230A	TXV	40,000	15.10	12.50	CH23-51	SLP98UH090XV48C	7514299
XC14-042-230A	TXV	40,000	15.10	12.50	CH23-51	SLP98UH090XV60C	7514300
XC14-042-230A	TXV	40,000	15.10	12.50	CH23-51	SLP98UH110XV60C	7514301
XC14-042-230A	TXV	40,500	15.50	12.50	CH23-65	EL180UH090E60C	7514302
XC14-042-230A	TXV	40,500	15.50	12.50	CH23-65	EL180UH110E60C	7514303
XC14-042-230A	TXV	40,500	15.50	12.50	CH23-65	EL180UH110XE60C	7514304
XC14-042-230A	TXV	40,500	15.10	12.50	CH23-65	EL296UH090XV48C	7514293
XC14-042-230A	TXV	40,500	15.10	12.50	CH23-65	EL296UH090XV60C	7514294
XC14-042-230A	TXV	40,500	15.10	12.50	CH23-65	EL296UH110XV48C	7514295
XC14-042-230A	TXV	40,500	15.10	12.50	CH23-65	EL296UH110XV60C	7514296
XC14-042-230A	TXV	41,000	15.50	12.50	CH23-65	SL280UH090V60C	7514297
XC14-042-230A	TXV	40,500	15.50	12.50	CH23-65	SL280UH110V60C	7514298
XC14-042-230A	TXV	40,500	15.50	12.50	CH23-65	SL280UH110XV60C	7514287
XC14-042-230A	TXV	40,500	15.10	12.50	CH23-65	SLP98UH090XV48C	7514288
XC14-042-230A	TXV	40,500	15.10	12.50	CH23-65	SLP98UH090XV60C	7514289
XC14-042-230A	TXV	40,500	15.10	12.50	CH23-65	SLP98UH110XV60C	7514290
XC14-042-230A	TXV	40,500	15.10	12.50	CH33-42	EL180UH090E48B	7514291
XC14-042-230A	TXV	40,500	15.10	12.50	CH33-42	EL180UH090XE48B	7514292
XC14-042-230A	TXV	40,500	15.00	12.50	CH33-42	SL280UH090V36B	7514282
XC14-042-230A	TXV	40,500	15.00	12.50	CH33-42	SL280UH090V48B	7514283
XC14-042-230A	TXV	40,500	15.00	12.50	CH33-42	SL280UH090XV48B	7514284
XC14-042-230A	TXV	41,500	15.00	12.50	CH33-43B	EL296UH045XV36B	7514286
XC14-042-230A	TXV	41,500	15.00	12.50	CH33-43B	EL296UH070XV36B	7514276
XC14-042-230A	TXV	42,000	15.50	12.50	CH33-43B	SL280UH090V36B	7514277
XC14-042-230A	TXV	42,000	15.50	12.50	CH33-43B	SL280UH090V48B	7514278
XC14-042-230A	TXV	42,000	15.50	12.50	CH33-43B	SL280UH090XV48B	7514279
XC14-042-230A	TXV	41,500	15.00	12.50	CH33-43B	SLP98UH070XV36B	7514275
XC14-042-230A	TXV	41,500	15.50	12.50	CH33-43C	EL180UH090E60C	7514269
XC14-042-230A	TXV	41,500	15.50	12.50	CH33-43C	EL180UH110E60C	7514270
XC14-042-230A	TXV	41,500	15.50	12.50	CH33-43C	EL180UH110XE60C	7514271
XC14-042-230A	TXV	41,000	15.50	12.50	CH33-43C	EL195UH090XE48C	7514272
XC14-042-230A	TXV	41,500	15.50	12.50	CH33-43C	EL195UH110XE60C	7514273
XC14-042-230A	TXV	41,000	15.50	12.50	CH33-43C	EL296UH090XE48C	7514274
XC14-042-230A	TXV	41,500	15.50	12.50	CH33-43C	EL296UH090XV36C	7514263
XC14-042-230A	TXV	41,500	15.50	12.50	CH33-43C	EL296UH090XV48C	7514264
XC14-042-230A	TXV	41,500	15.50	12.50	CH33-43C	EL296UH090XV60C	7514265
XC14-042-230A	TXV	41,500	15.50	12.50	CH33-43C	EL296UH110XE60C	7514266
XC14-042-230A	TXV	41,500	15.50	12.50	CH33-43C	EL296UH110XV48C	7514267
XC14-042-230A	TXV	41,500	15.50	12.50	CH33-43C	EL296UH110XV60C	7514268
XC14-042-230A	TXV	42,000	16.00	13.00	CH33-43C	SL280UH090V60C	7514257
XC14-042-230A	TXV	42,000	16.00	13.00	CH33-43C	SL280UH090XV60C	7514258

NOTES:

TXV = Matched with Thermostatic Expansion Valve.
 RFC = Matched with RFC metering device.

AHRI certified to AHRI Standard 210/240 (with 25 ft. of connecting refrigerant lines); 95°F outdoor air temperature, 80°F db / 67°F wb entering evaporator air. All ratings include the use of a blower time delay relay (TDR). All Lennox variable-speed furnaces and Air Handlers have time delay capabilities. Other Furnaces and Air Handlers may require an optional time delay relay (**58M81**) for field installation. See furnace or air handler specifications to determine if relay is needed.

Also see Expansion Valve Kit Usage Table.

AHRI SYSTEM MATCHES - ALL REGIONS - 018-024-030-041-042-047-048-060

NOTE - For the latest up-to-date system matches please visit the AHRI web site at <http://www.ahridirectory.org>

Model No.	Expansion Device	Capacity	SEER	EER	Coil or Air Handler	Furnace	AHRI Reference
XC14-042-230A	TXV	41,500	15.50	12.50	CH33-43C	SL280UH110V60C	7514259
XC14-042-230A	TXV	41,500	15.50	12.50	CH33-43C	SL280UH110XV60C	7514260
XC14-042-230A	TXV	41,500	15.50	12.50	CH33-43C	SLP98UH090XV36C	7514261
XC14-042-230A	TXV	41,500	15.50	12.50	CH33-43C	SLP98UH090XV48C	7514262
XC14-042-230A	TXV	41,500	15.50	12.50	CH33-43C	SLP98UH090XV60C	7514251
XC14-042-230A	TXV	41,500	15.50	12.50	CH33-43C	SLP98UH110XV60C	7514252
XC14-042-230A	TXV	41,500	14.00	12.20	CH33-43C		7513894
XC14-042-230A	TXV	41,000	15.10	12.50	CH33-44/48B	EL180UH090E48B	7514253
XC14-042-230A	TXV	41,000	15.10	12.50	CH33-44/48B	EL180UH090XE48B	7514254
XC14-042-230A	TXV	40,500	14.50	12.20	CH33-44/48B	EL296UH070XV36B	7514255
XC14-042-230A	TXV	41,000	15.10	12.50	CH33-44/48B	SL280UH090V36B	7514256
XC14-042-230A	TXV	41,000	15.10	12.50	CH33-44/48B	SL280UH090V48B	7514245
XC14-042-230A	TXV	41,000	15.10	12.50	CH33-44/48B	SL280UH090XV48B	7514246
XC14-042-230A	TXV	40,500	14.50	12.20	CH33-44/48B	SLP98UH070XV36C	7514247
XC14-042-230A	TXV	41,000	15.50	12.50	CH33-48C	EL180UH090E60C	7514248
XC14-042-230A	TXV	41,000	15.50	12.50	CH33-48C	EL180UH110E60C	7514249
XC14-042-230A	TXV	41,000	15.50	12.50	CH33-48C	EL180UH110XE60C	7514250
XC14-042-230A	TXV	41,000	15.10	12.50	CH33-48C	EL195UH090XE48C	7514239
XC14-042-230A	TXV	41,500	15.10	12.50	CH33-48C	EL195UH110XE60C	7514240
XC14-042-230A	TXV	41,000	15.10	12.50	CH33-48C	EL296UH090XE48C	7514241
XC14-042-230A	TXV	41,000	15.10	12.50	CH33-48C	EL296UH090XV36C	7514242
XC14-042-230A	TXV	41,000	15.10	12.50	CH33-48C	EL296UH090XV48C	7514243
XC14-042-230A	TXV	41,500	15.10	12.50	CH33-48C	EL296UH090XV60C	7514244
XC14-042-230A	TXV	41,500	15.10	12.50	CH33-48C	EL296UH110XE60C	7514233
XC14-042-230A	TXV	41,000	15.10	12.50	CH33-48C	EL296UH110XV48C	7514234
XC14-042-230A	TXV	41,000	15.10	12.50	CH33-48C	EL296UH110XV60C	7514235
XC14-042-230A	TXV	41,500	15.50	12.50	CH33-48C	SL280UH090V60C	7514236
XC14-042-230A	TXV	41,500	15.50	12.50	CH33-48C	SL280UH090XV60C	7514237
XC14-042-230A	TXV	41,000	15.10	12.50	CH33-48C	SL280UH110V60C	7514238
XC14-042-230A	TXV	41,000	15.10	12.50	CH33-48C	SL280UH110XV60C	7514227
XC14-042-230A	TXV	41,000	15.10	12.50	CH33-48C	SLP98UH090XV36C	7514228
XC14-042-230A	TXV	41,000	15.10	12.50	CH33-48C	SLP98UH090XV48C	7514229
XC14-042-230A	TXV	41,500	15.10	12.50	CH33-48C	SLP98UH090XV60C	7514230
XC14-042-230A	TXV	41,000	15.10	12.50	CH33-48C	SLP98UH110XV60C	7514231
XC14-042-230A	TXV	42,000	15.50	12.50	CH33-49	EL180UH090E60C	7514232
XC14-042-230A	TXV	42,000	15.50	12.50	CH33-49	EL180UH110E60C	7514221
XC14-042-230A	TXV	42,000	15.50	12.50	CH33-49	EL180UH110XE60C	7514222
XC14-042-230A	TXV	41,500	15.50	12.50	CH33-49	EL195UH090XE48C	7514223
XC14-042-230A	TXV	42,000	15.50	12.50	CH33-49	EL195UH110XE60C	7514224
XC14-042-230A	TXV	41,500	15.50	12.50	CH33-49	EL296UH090XE48C	7514225
XC14-042-230A	TXV	41,500	15.50	12.50	CH33-49	EL296UH090XV36C	7514226
XC14-042-230A	TXV	42,000	15.50	12.50	CH33-49	EL296UH090XV48C	7514215
XC14-042-230A	TXV	42,000	15.50	12.50	CH33-49	EL296UH090XV60C	7514216
XC14-042-230A	TXV	42,000	15.50	12.50	CH33-49	EL296UH110XE60C	7514217
XC14-042-230A	TXV	42,000	15.50	12.50	CH33-49	EL296UH110XV48C	7514218
XC14-042-230A	TXV	42,000	15.50	12.50	CH33-49	EL296UH110XV60C	7514219
XC14-042-230A	TXV	42,000	15.50	12.50	CH33-49	SL280UH090V60C	7514220
XC14-042-230A	TXV	42,000	15.50	12.50	CH33-49	SL280UH090XV60C	7514209
XC14-042-230A	TXV	42,000	15.50	12.50	CH33-49	SL280UH110V60C	7514210

NOTES:

TXV = Matched with Thermostatic Expansion Valve.

RFC = Matched with RFC metering device.

AHRI certified to AHRI Standard 210/240 (with 25 ft. of connecting refrigerant lines); 95°F outdoor air temperature, 80°F db / 67°F wb entering evaporator air. All ratings include the use of a blower time delay relay (TDR). All Lennox variable-speed furnaces and Air Handlers have time delay capabilities. Other Furnaces and Air Handlers may require an optional time delay relay (**58M81**) for field installation. See furnace or air handler specifications to determine if relay is needed.

Also see Expansion Valve Kit Usage Table.

AHRI SYSTEM MATCHES - ALL REGIONS - 018-024-030-041-042-047-048-060

NOTE - For the latest up-to-date system matches please visit the AHRI web site at <http://www.ahridirectory.org>

Model No.	Expansion Device	Capacity	SEER	EER	Coil or Air Handler	Furnace	AHRI Reference
XC14-042-230A	TXV	42,000	15.50	12.50	CH33-49	SL280UH110XV60C	7514211
XC14-042-230A	TXV	41,500	15.50	12.50	CH33-49	SLP98UH090XV36C	7514212
XC14-042-230A	TXV	42,000	15.50	12.50	CH33-49	SLP98UH090XV48C	7514213
XC14-042-230A	TXV	42,000	15.50	12.50	CH33-49	SLP98UH090XV60C	7514214
XC14-042-230A	TXV	42,000	15.50	12.50	CH33-49	SLP98UH110XV60C	7514203
XC14-042-230A	TXV	42,000	14.00	12.20	CH33-49		7513884
XC14-042-230A	TXV	41,500	15.50	12.50	CH33-50/60C	EL180UH090E60C	7514204
XC14-042-230A	TXV	41,500	15.50	12.50	CH33-50/60C	EL180UH110E60C	7514205
XC14-042-230A	TXV	41,500	15.50	12.50	CH33-50/60C	EL180UH110XE60C	7514206
XC14-042-230A	TXV	41,500	15.50	12.50	CH33-50/60C	EL195UH090XE48C	7514207
XC14-042-230A	TXV	42,000	15.50	12.50	CH33-50/60C	EL195UH110XE60C	7514208
XC14-042-230A	TXV	41,500	15.50	12.50	CH33-50/60C	EL296UH090XE48C	7514197
XC14-042-230A	TXV	41,500	15.10	12.50	CH33-50/60C	EL296UH090XV36C	7514198
XC14-042-230A	TXV	41,500	15.50	12.50	CH33-50/60C	EL296UH090XV48C	7514199
XC14-042-230A	TXV	42,000	15.10	12.50	CH33-50/60C	EL296UH090XV60C	7514200
XC14-042-230A	TXV	42,000	15.50	12.50	CH33-50/60C	EL296UH110XE60C	7514201
XC14-042-230A	TXV	41,500	15.50	12.50	CH33-50/60C	EL296UH110XV48C	7514202
XC14-042-230A	TXV	41,500	15.50	12.50	CH33-50/60C	EL296UH110XV60C	7514191
XC14-042-230A	TXV	42,000	15.50	12.50	CH33-50/60C	SL280UH090V60C	7514192
XC14-042-230A	TXV	42,000	15.50	12.50	CH33-50/60C	SL280UH090XV60C	7514193
XC14-042-230A	TXV	41,500	15.50	12.50	CH33-50/60C	SL280UH110V60C	7514194
XC14-042-230A	TXV	41,500	15.50	12.50	CH33-50/60C	SL280UH110XV60C	7514195
XC14-042-230A	TXV	41,500	15.10	12.50	CH33-50/60C	SLP98UH090XV36C	7514196
XC14-042-230A	TXV	41,500	15.50	12.50	CH33-50/60C	SLP98UH090XV48C	7514185
XC14-042-230A	TXV	42,000	15.10	12.50	CH33-50/60C	SLP98UH090XV60C	7514186
XC14-042-230A	TXV	41,500	15.50	12.50	CH33-50/60C	SLP98UH110XV60C	7514187
XC14-042-230A	TXV	41,500	14.00	12.20	CH33-50/60C		7513886
XC14-042-230A	TXV	42,000	15.50	12.50	CH35-42B	EL180UH090E48B	7514188
XC14-042-230A	TXV	42,000	15.50	12.50	CH35-42B	EL180UH090XE48B	7514189
XC14-042-230A	TXV	42,000	15.10	12.50	CH35-42B	EL296UH045XV36B	7514190
XC14-042-230A	TXV	41,500	15.00	12.50	CH35-42B	EL296UH070XV36B	7514179
XC14-042-230A	TXV	42,000	15.50	12.50	CH35-42B	SL280UH090V36B	7514180
XC14-042-230A	TXV	42,000	15.50	12.50	CH35-42B	SL280UH090V48B	7514181
XC14-042-230A	TXV	42,000	15.50	12.50	CH35-42B	SL280UH090XV48B	7514182
XC14-042-230A	TXV	41,500	15.00	12.50	CH35-42B	SLP98UH070XV36B	7514183
XC14-042-230A	TXV	41,500	15.50	12.50	CH35-42C	EL180UH090E60C	7514184
XC14-042-230A	TXV	41,500	15.50	12.50	CH35-42C	EL180UH110E60C	7514173
XC14-042-230A	TXV	41,500	15.50	12.50	CH35-42C	EL180UH110XE60C	7514174
XC14-042-230A	TXV	41,500	15.50	12.50	CH35-42C	EL195UH090XE48C	7514175
XC14-042-230A	TXV	42,000	15.50	12.50	CH35-42C	EL195UH110XE60C	7514176
XC14-042-230A	TXV	41,500	15.50	12.50	CH35-42C	EL296UH090XE48C	7514177
XC14-042-230A	TXV	41,500	15.50	12.50	CH35-42C	EL296UH090XV36C	7514178
XC14-042-230A	TXV	41,500	15.50	12.50	CH35-42C	EL296UH090XV48C	7514167
XC14-042-230A	TXV	42,000	15.50	12.50	CH35-42C	EL296UH090XV60C	7514168
XC14-042-230A	TXV	42,000	15.50	12.50	CH35-42C	EL296UH110XE60C	7514169
XC14-042-230A	TXV	41,500	15.50	12.50	CH35-42C	EL296UH110XV48C	7514170
XC14-042-230A	TXV	41,500	15.50	12.50	CH35-42C	EL296UH110XV60C	7514171
XC14-042-230A	TXV	42,000	16.00	13.00	CH35-42C	SL280UH090V60C	7514172
XC14-042-230A	TXV	42,000	16.00	13.00	CH35-42C	SL280UH090XV60C	7514161

NOTES:

TXV = Matched with Thermostatic Expansion Valve.

RFC = Matched with RFC metering device.

AHRI certified to AHRI Standard 210/240 (with 25 ft. of connecting refrigerant lines); 95°F outdoor air temperature, 80°F db / 67°F wb entering evaporator air.

All ratings include the use of a blower time delay relay (TDR). All Lennox variable-speed furnaces and Air Handlers have time delay capabilities. Other Furnaces and Air Handlers may require an optional time delay relay (**58M81**) for field installation. See furnace or air handler specifications to determine if relay is needed.

Also see Expansion Valve Kit Usage Table.

AHRI SYSTEM MATCHES - ALL REGIONS - 018-024-030-041-042-047-048-060

NOTE - For the latest up-to-date system matches please visit the AHRI web site at <http://www.ahridirectory.org>

Model No.	Expansion Device	Capacity	SEER	EER	Coil or Air Handler	Furnace	AHRI Reference
XC14-042-230A	TXV	41,500	15.50	12.50	CH35-42C	SL280UH110V60C	7514162
XC14-042-230A	TXV	41,500	15.50	12.50	CH35-42C	SL280UH110XV60C	7514163
XC14-042-230A	TXV	41,500	15.50	12.50	CH35-42C	SLP98UH090XV36C	7514164
XC14-042-230A	TXV	41,500	15.50	12.50	CH35-42C	SLP98UH090XV48C	7514165
XC14-042-230A	TXV	42,000	15.50	12.50	CH35-42C	SLP98UH090XV60C	7514166
XC14-042-230A	TXV	41,500	15.50	12.50	CH35-42C	SLP98UH110XV60C	7514155
XC14-042-230A	TXV	41,500	14.00	12.20	CH35-42C		7513887
XC14-042-230A	TXV	41,500	15.50	12.50	CH35-48B	EL180UH090E48B	7514156
XC14-042-230A	TXV	41,500	15.50	12.50	CH35-48B	EL180UH090XE48B	7514157
XC14-042-230A	TXV	41,000	14.50	12.20	CH35-48B	EL296UH045XV36B	7514158
XC14-042-230A	TXV	41,000	14.50	12.20	CH35-48B	EL296UH070XV36B	7514159
XC14-042-230A	TXV	41,500	15.10	12.50	CH35-48B	SL280UH090V36B	7514160
XC14-042-230A	TXV	41,500	15.10	12.50	CH35-48B	SL280UH090V48B	7514149
XC14-042-230A	TXV	41,500	15.10	12.50	CH35-48B	SL280UH090XV48B	7514150
XC14-042-230A	TXV	41,000	14.50	12.20	CH35-48B	SLP98UH070XV36B	7514151
XC14-042-230A	TXV	41,500	15.50	12.50	CH35-48C	EL180UH090E60C	7514152
XC14-042-230A	TXV	41,500	15.50	12.50	CH35-48C	EL180UH110E60C	7514153
XC14-042-230A	TXV	41,500	15.50	12.50	CH35-48C	EL180UH110XE60C	7514154
XC14-042-230A	TXV	41,000	15.10	12.50	CH35-48C	EL195UH090XE48C	7514143
XC14-042-230A	TXV	41,500	15.10	12.50	CH35-48C	EL195UH110XE60C	7514144
XC14-042-230A	TXV	41,000	15.10	12.50	CH35-48C	EL296UH090XE48C	7514145
XC14-042-230A	TXV	41,000	15.10	12.50	CH35-48C	EL296UH090XV36C	7514146
XC14-042-230A	TXV	41,500	15.10	12.50	CH35-48C	EL296UH090XV48C	7514147
XC14-042-230A	TXV	41,500	15.10	12.50	CH35-48C	EL296UH090XV60C	7514148
XC14-042-230A	TXV	41,500	15.10	12.50	CH35-48C	EL296UH110XE60C	7514137
XC14-042-230A	TXV	41,500	15.50	12.50	CH35-48C	EL296UH110XV48C	7514138
XC14-042-230A	TXV	41,500	15.10	12.50	CH35-48C	EL296UH110XV60C	7514139
XC14-042-230A	TXV	41,500	15.50	12.50	CH35-48C	SL280UH090V60C	7514140
XC14-042-230A	TXV	41,500	15.50	12.50	CH35-48C	SL280UH090XV60C	7514141
XC14-042-230A	TXV	41,500	15.10	12.50	CH35-48C	SL280UH110V60C	7514142
XC14-042-230A	TXV	41,500	15.10	12.50	CH35-48C	SL280UH110XV60C	7514131
XC14-042-230A	TXV	41,000	15.10	12.50	CH35-48C	SLP98UH090XV36C	7514132
XC14-042-230A	TXV	41,500	15.10	12.50	CH35-48C	SLP98UH090XV48C	7514133
XC14-042-230A	TXV	41,500	15.10	12.50	CH35-48C	SLP98UH090XV60C	7514134
XC14-042-230A	TXV	41,500	15.10	12.50	CH35-48C	SLP98UH110XV60C	7514135
XC14-042-230A	TXV	41,500	14.00	12.20	CH35-48C		7513888
XC14-042-230A	TXV	42,000	15.50	12.50	CH35-51C	EL180UH090E60C	7514136
XC14-042-230A	TXV	42,000	15.50	12.50	CH35-51C	EL180UH110E60C	7514125
XC14-042-230A	TXV	42,000	15.50	12.50	CH35-51C	EL180UH110XE60C	7514126
XC14-042-230A	TXV	41,500	15.50	12.50	CH35-51C	EL195UH090XE48C	7514127
XC14-042-230A	TXV	42,000	15.50	12.50	CH35-51C	EL195UH110XE60C	7514128
XC14-042-230A	TXV	41,500	15.50	12.50	CH35-51C	EL296UH090XE48C	7514129
XC14-042-230A	TXV	41,500	15.50	12.50	CH35-51C	EL296UH090XV36C	7514130
XC14-042-230A	TXV	42,000	15.50	12.50	CH35-51C	EL296UH090XV48C	7514119
XC14-042-230A	TXV	42,000	15.50	12.50	CH35-51C	EL296UH090XV60C	7514120
XC14-042-230A	TXV	42,000	15.50	12.50	CH35-51C	EL296UH110XE60C	7514121
XC14-042-230A	TXV	42,000	15.50	12.50	CH35-51C	EL296UH110XV48C	7514122
XC14-042-230A	TXV	42,000	15.50	12.50	CH35-51C	EL296UH110XV60C	7514123
XC14-042-230A	TXV	42,000	15.50	12.50	CH35-51C	SL280UH090V60C	7514124

NOTES:

TXV = Matched with Thermostatic Expansion Valve.

RFC = Matched with RFC metering device.

AHRI certified to AHRI Standard 210/240 (with 25 ft. of connecting refrigerant lines); 95°F outdoor air temperature, 80°F db / 67°F wb entering evaporator air.

All ratings include the use of a blower time delay relay (TDR). All Lennox variable-speed furnaces and Air Handlers have time delay capabilities. Other Furnaces and Air Handlers may require an optional time delay relay (**58M81**) for field installation. See furnace or air handler specifications to determine if relay is needed.

Also see Expansion Valve Kit Usage Table.

AHRI SYSTEM MATCHES - ALL REGIONS - 018-024-030-041-042-047-048-060

NOTE - For the latest up-to-date system matches please visit the AHRI web site at <http://www.ahridirectory.org>

Model No.	Expansion Device	Capacity	SEER	EER	Coil or Air Handler	Furnace	AHRI Reference
XC14-042-230A	TXV	42,000	15.50	12.50	CH35-51C	SL280UH090XV60C	7514113
XC14-042-230A	TXV	42,000	15.50	12.50	CH35-51C	SL280UH110V60C	7514114
XC14-042-230A	TXV	42,000	15.50	12.50	CH35-51C	SL280UH110XV60C	7514115
XC14-042-230A	TXV	41,500	15.50	12.50	CH35-51C	SLP98UH090XV36C	7514116
XC14-042-230A	TXV	42,000	15.50	12.50	CH35-51C	SLP98UH090XV48C	7514117
XC14-042-230A	TXV	42,000	15.50	12.50	CH35-51C	SLP98UH090XV60C	7514118
XC14-042-230A	TXV	42,000	15.50	12.50	CH35-51C	SLP98UH110XV60C	7514107
XC14-042-230A	TXV	42,000	14.00	12.20	CH35-51C		7513889
XC14-042-230A	TXV	40,500	15.10	12.50	CR33-48	EL180DF110E60C	7514109
XC14-042-230A	TXV	40,500	15.10	12.50	CR33-48	EL195DF090XE48C	7514110
XC14-042-230A	TXV	40,500	15.10	12.50	CR33-48	EL195DF110XE60C	7514111
XC14-042-230A	TXV	40,500	15.10	12.50	CR33-48	EL296DF090XE48C	7514112
XC14-042-230A	TXV	40,500	15.00	12.20	CR33-48	EL296DF090XV60C	7514101
XC14-042-230A	TXV	40,500	15.10	12.50	CR33-48	EL296DF110XE60C	7514102
XC14-042-230A	TXV	40,500	14.50	12.20	CR33-48	SL280DF090V48B	7514108
XC14-042-230A	TXV	40,500	15.10	12.50	CR33-48	SL280DF090V60C	7514103
XC14-042-230A	TXV	40,500	15.10	12.50	CR33-48	SL280DF110V60C	7514104
XC14-042-230A	TXV	40,500	14.50	12.20	CR33-48	SLP98DF090XV48C	7514105
XC14-042-230A	TXV	40,500	15.00	12.20	CR33-48	SLP98DF090XV60C	7514106
XC14-042-230A	TXV	41,500	15.50	12.50	CR33-50/60	EL180DF110E60C	7514095
XC14-042-230A	TXV	41,000	15.10	12.50	CR33-50/60	EL195DF090XE48C	7514096
XC14-042-230A	TXV	41,500	15.50	12.50	CR33-50/60	EL195DF110XE60C	7514097
XC14-042-230A	TXV	41,000	15.10	12.50	CR33-50/60	EL296DF090XE48C	7514098
XC14-042-230A	TXV	41,500	15.10	12.50	CR33-50/60	EL296DF090XV60C	7514099
XC14-042-230A	TXV	41,500	15.50	12.50	CR33-50/60	EL296DF110XE60C	7514100
XC14-042-230A	TXV	41,500	15.50	12.50	CR33-50/60	EL296DF110XV60C	7514089
XC14-042-230A	TXV	41,000	15.50	12.50	CR33-50/60	SL280DF090V60C	7514090
XC14-042-230A	TXV	41,500	15.50	12.50	CR33-50/60	SL280DF110V60C	7514091
XC14-042-230A	TXV	41,000	15.10	12.50	CR33-50/60	SLP98DF090XV36C	7514092
XC14-042-230A	TXV	41,000	15.10	12.50	CR33-50/60	SLP98DF090XV48C	7514093
XC14-042-230A	TXV	41,500	15.10	12.50	CR33-50/60	SLP98DF090XV60C	7514094
XC14-042-230A	TXV	41,500	15.50	12.50	CR33-50/60	SLP98DF110XV60C	7514083
XC14-042-230A	TXV	39,500	14.50	12.20	CX34-36B	EL180UH090E48B	7514078
XC14-042-230A	TXV	39,500	14.50	12.20	CX34-36B	EL180UH090XE48B	7514079
XC14-042-230A	TXV	39,500	14.50	12.20	CX34-36B	SL280UH090V36B	7514084
XC14-042-230A	TXV	39,500	14.50	12.20	CX34-36B	SL280UH090V48B	7514085
XC14-042-230A	TXV	39,500	14.50	12.20	CX34-36B	SL280UH090XV48B	7514086
XC14-042-230A	TXV	39,500	14.50	12.20	CX34-36C	EL180UH090E60C	7514080
XC14-042-230A	TXV	39,000	14.50	12.20	CX34-36C	EL180UH110E60C	7514081
XC14-042-230A	TXV	39,000	14.50	12.20	CX34-36C	EL180UH110XE60C	7514082
XC14-042-230A	TXV	39,000	14.50	12.20	CX34-36C	EL195UH090XE48C	7514071
XC14-042-230A	TXV	39,500	14.50	12.20	CX34-36C	EL195UH110XE60C	7514072
XC14-042-230A	TXV	39,000	14.50	12.20	CX34-36C	EL296UH090XE48C	7514073
XC14-042-230A	TXV	39,000	14.50	12.20	CX34-36C	EL296UH090XV48C	7514075
XC14-042-230A	TXV	39,500	14.50	12.20	CX34-36C	EL296UH110XE60C	7514065
XC14-042-230A	TXV	39,500	14.50	12.20	CX34-36C	EL296UH110XV60C	7514066
XC14-042-230A	TXV	39,500	14.50	12.20	CX34-36C	SL280UH090V60C	7514067
XC14-042-230A	TXV	39,500	14.50	12.20	CX34-36C	SL280UH090XV60C	7514068
XC14-042-230A	TXV	39,500	14.50	12.20	CX34-36C	SL280UH110V60C	7514069

NOTES:

TXV = Matched with Thermostatic Expansion Valve.

RFC = Matched with RFC metering device.

AHRI certified to AHRI Standard 210/240 (with 25 ft. of connecting refrigerant lines); 95°F outdoor air temperature, 80°F db / 67°F wb entering evaporator air.

All ratings include the use of a blower time delay relay (TDR). All Lennox variable-speed furnaces and Air Handlers have time delay capabilities. Other Furnaces and Air Handlers may require an optional time delay relay (**58M81**) for field installation. See furnace or air handler specifications to determine if relay is needed.

Also see Expansion Valve Kit Usage Table.

AHRI SYSTEM MATCHES - ALL REGIONS - 018-024-030-041-042-047-048-060

NOTE - For the latest up-to-date system matches please visit the AHRI web site at <http://www.ahridirectory.org>

Model No.	Expansion Device	Capacity	SEER	EER	Coil or Air Handler	Furnace	AHRI Reference
XC14-042-230A	TXV	39,500	14.50	12.20	CX34-36C	SL280UH110XV60C	7514070
XC14-042-230A	TXV	39,000	14.50	12.20	CX34-36C	SLP98UH090XV48C	7514060
XC14-042-230A	TXV	39,500	14.50	12.20	CX34-36C	SLP98UH110XV60C	7514062
XC14-042-230A	TXV	41,000	15.10	12.50	CX34-38B	EL180UH090E48B	7514063
XC14-042-230A	TXV	41,000	15.10	12.50	CX34-38B	EL180UH090XE48B	7514064
XC14-042-230A	TXV	40,500	14.50	12.20	CX34-38B	EL296UH045XV36B	7514053
XC14-042-230A	TXV	40,500	14.50	12.20	CX34-38B	EL296UH070XV36B	7514054
XC14-042-230A	TXV	41,000	15.10	12.50	CX34-38B	SL280UH090V36B	7514055
XC14-042-230A	TXV	41,000	15.10	12.50	CX34-38B	SL280UH090V48B	7514056
XC14-042-230A	TXV	41,000	15.10	12.50	CX34-38B	SL280UH090XV48B	7514057
XC14-042-230A	TXV	40,500	14.50	12.20	CX34-38B	SLP98UH070XV36B	7514058
XC14-042-230A	TXV	39,500	14.50	12.20	CX34-42	EL180UH090E48B	7514047
XC14-042-230A	TXV	39,500	14.50	12.20	CX34-42	EL180UH090XE48B	7514048
XC14-042-230A	TXV	39,500	14.50	12.20	CX34-42	SL280UH090V36B	7514051
XC14-042-230A	TXV	39,500	14.50	12.20	CX34-42	SL280UH090V48B	7514052
XC14-042-230A	TXV	39,500	14.50	12.20	CX34-42	SL280UH090XV48B	7514041
XC14-042-230A	TXV	41,500	15.50	12.50	CX34-43B	EL180UH090E48B	7514043
XC14-042-230A	TXV	41,500	15.50	12.50	CX34-43B	EL180UH090XE48B	7514044
XC14-042-230A	TXV	41,000	14.50	12.20	CX34-43B	EL296UH045XV36B	7514045
XC14-042-230A	TXV	41,000	14.50	12.20	CX34-43B	EL296UH070XV36B	7514046
XC14-042-230A	TXV	41,000	15.10	12.50	CX34-43B	SL280UH090V36B	7514035
XC14-042-230A	TXV	41,500	15.10	12.50	CX34-43B	SL280UH090V48B	7514036
XC14-042-230A	TXV	41,500	15.10	12.50	CX34-43B	SL280UH090XV48B	7514037
XC14-042-230A	TXV	41,000	14.50	12.20	CX34-43B	SLP98UH070XV36B	7514038
XC14-042-230A	TXV	41,500	15.50	12.50	CX34-43C	EL180UH090E60C	7514039
XC14-042-230A	TXV	41,500	15.50	12.50	CX34-43C	EL180UH110E60C	7514040
XC14-042-230A	TXV	41,500	15.50	12.50	CX34-43C	EL180UH110XE60C	7514029
XC14-042-230A	TXV	41,000	15.50	12.50	CX34-43C	EL195UH090XE48C	7514030
XC14-042-230A	TXV	41,500	15.50	12.50	CX34-43C	EL195UH110XE60C	7514031
XC14-042-230A	TXV	41,000	15.50	12.50	CX34-43C	EL296UH090XE48C	7514032
XC14-042-230A	TXV	41,000	15.10	12.50	CX34-43C	EL296UH090XV36C	7514033
XC14-042-230A	TXV	41,000	15.10	12.50	CX34-43C	EL296UH090XV48C	7514034
XC14-042-230A	TXV	41,500	15.10	12.50	CX34-43C	EL296UH090XV60C	7514023
XC14-042-230A	TXV	41,500	15.50	12.50	CX34-43C	EL296UH110XE60C	7514024
XC14-042-230A	TXV	41,500	15.10	12.50	CX34-43C	EL296UH110XV48C	7514025
XC14-042-230A	TXV	41,500	15.50	12.50	CX34-43C	EL296UH110XV60C	7514026
XC14-042-230A	TXV	41,500	15.50	12.50	CX34-43C	SL280UH090V60C	7514027
XC14-042-230A	TXV	41,500	15.50	12.50	CX34-43C	SL280UH090XV60C	7514028
XC14-042-230A	TXV	41,500	15.50	12.50	CX34-43C	SL280UH110V60C	7514017
XC14-042-230A	TXV	41,500	15.50	12.50	CX34-43C	SL280UH110XV60C	7514018
XC14-042-230A	TXV	41,000	15.10	12.50	CX34-43C	SLP98UH090XV36C	7514019
XC14-042-230A	TXV	41,000	15.10	12.50	CX34-43C	SLP98UH090XV48C	7514020
XC14-042-230A	TXV	41,500	15.10	12.50	CX34-43C	SLP98UH090XV60C	7514021
XC14-042-230A	TXV	41,500	15.50	12.50	CX34-43C	SLP98UH110XV60C	7514022
XC14-042-230A	TXV	40,500	15.10	12.50	CX34-44/48B	EL180UH090E48B	7514011
XC14-042-230A	TXV	40,500	15.10	12.50	CX34-44/48B	EL180UH090XE48B	7514012
XC14-042-230A	TXV	40,500	14.50	12.20	CX34-44/48B	EL296UH045XV36B	7514013
XC14-042-230A	TXV	40,500	15.00	12.50	CX34-44/48B	SL280UH090V36B	7514015
XC14-042-230A	TXV	40,500	15.00	12.50	CX34-44/48B	SL280UH090V48B	7514016

NOTES:

TXV = Matched with Thermostatic Expansion Valve.

RFC = Matched with RFC metering device.

AHRI certified to AHRI Standard 210/240 (with 25 ft. of connecting refrigerant lines); 95°F outdoor air temperature, 80°F db / 67°F wb entering evaporator air.

All ratings include the use of a blower time delay relay (TDR). All Lennox variable-speed furnaces and Air Handlers have time delay capabilities. Other Furnaces and Air Handlers may require an optional time delay relay (**58M81**) for field installation. See furnace or air handler specifications to determine if relay is needed.

Also see Expansion Valve Kit Usage Table.

AHRI SYSTEM MATCHES - ALL REGIONS - 018-024-030-041-042-047-048-060

NOTE - For the latest up-to-date system matches please visit the AHRI web site at <http://www.ahridirectory.org>

Model No.	Expansion Device	Capacity	SEER	EER	Coil or Air Handler	Furnace	AHRI Reference
XC14-042-230A	TXV	40,500	15.00	12.50	CX34-44/48B	SL280UH090XV48B	7514005
XC14-042-230A	TXV	41,000	15.10	12.50	CX34-44/48C	EL180UH090E60C	7514007
XC14-042-230A	TXV	40,500	15.10	12.50	CX34-44/48C	EL180UH110E60C	7514008
XC14-042-230A	TXV	40,500	15.10	12.50	CX34-44/48C	EL180UH110XE60C	7514009
XC14-042-230A	TXV	40,500	15.10	12.50	CX34-44/48C	EL195UH090XE48C	7514010
XC14-042-230A	TXV	41,000	15.10	12.50	CX34-44/48C	EL195UH110XE60C	7514000
XC14-042-230A	TXV	40,500	15.10	12.50	CX34-44/48C	EL296UH090XE48C	7513999
XC14-042-230A	TXV	40,500	15.00	12.50	CX34-44/48C	EL296UH090XV36C	7514002
XC14-042-230A	TXV	40,500	15.10	12.50	CX34-44/48C	EL296UH090XV48C	7514003
XC14-042-230A	TXV	41,000	15.00	12.50	CX34-44/48C	EL296UH090XV60C	7514004
XC14-042-230A	TXV	41,000	15.10	12.50	CX34-44/48C	EL296UH110XE60C	7514001
XC14-042-230A	TXV	40,500	15.10	12.50	CX34-44/48C	EL296UH110XV48C	7513993
XC14-042-230A	TXV	40,500	15.10	12.50	CX34-44/48C	EL296UH110XV60C	7513994
XC14-042-230A	TXV	41,000	15.10	12.50	CX34-44/48C	SL280UH090V60C	7513995
XC14-042-230A	TXV	41,000	15.10	12.50	CX34-44/48C	SL280UH090XV60C	7513996
XC14-042-230A	TXV	40,500	15.00	12.50	CX34-44/48C	SL280UH110V60C	7513997
XC14-042-230A	TXV	40,500	15.00	12.50	CX34-44/48C	SL280UH110XV60C	7513998
XC14-042-230A	TXV	40,500	15.00	12.50	CX34-44/48C	SLP98UH090XV36C	7513987
XC14-042-230A	TXV	40,500	15.10	12.50	CX34-44/48C	SLP98UH090XV48C	7513988
XC14-042-230A	TXV	41,000	15.00	12.50	CX34-44/48C	SLP98UH090XV60C	7513989
XC14-042-230A	TXV	40,500	15.10	12.50	CX34-44/48C	SLP98UH110XV60C	7513990
XC14-042-230A	TXV	42,000	16.00	13.00	CX34-49	EL180UH090E60C	7513991
XC14-042-230A	TXV	42,000	16.00	13.00	CX34-49	EL180UH110E60C	7513992
XC14-042-230A	TXV	42,000	16.00	13.00	CX34-49	EL180UH110XE60C	7513981
XC14-042-230A	TXV	41,500	15.50	12.50	CX34-49	EL195UH090XE48C	7513982
XC14-042-230A	TXV	42,000	15.50	12.50	CX34-49	EL195UH110XE60C	7513983
XC14-042-230A	TXV	41,500	15.50	12.50	CX34-49	EL296UH090XE48C	7513984
XC14-042-230A	TXV	41,500	15.50	12.50	CX34-49	EL296UH090XV36C	7513985
XC14-042-230A	TXV	41,500	15.50	12.50	CX34-49	EL296UH090XV48C	7513986
XC14-042-230A	TXV	42,000	15.50	12.50	CX34-49	EL296UH090XV60C	7513975
XC14-042-230A	TXV	42,000	15.50	12.50	CX34-49	EL296UH110XE60C	7513976
XC14-042-230A	TXV	42,000	15.50	12.50	CX34-49	EL296UH110XV48C	7513977
XC14-042-230A	TXV	42,000	15.50	12.50	CX34-49	EL296UH110XV60C	7513978
XC14-042-230A	TXV	42,000	16.00	13.00	CX34-49	SL280UH090V60C	7513979
XC14-042-230A	TXV	42,000	16.00	13.00	CX34-49	SL280UH090XV60C	7513980
XC14-042-230A	TXV	42,000	15.50	12.50	CX34-49	SL280UH110V60C	7513969
XC14-042-230A	TXV	42,000	15.50	12.50	CX34-49	SL280UH110XV60C	7513970
XC14-042-230A	TXV	41,500	15.50	12.50	CX34-49	SLP98UH090XV36C	7513971
XC14-042-230A	TXV	41,500	15.50	12.50	CX34-49	SLP98UH090XV48C	7513972
XC14-042-230A	TXV	42,000	15.50	12.50	CX34-49	SLP98UH090XV60C	7513973
XC14-042-230A	TXV	42,000	15.50	12.50	CX34-49	SLP98UH110XV60C	7513974
XC14-042-230A	TXV	41,500	14.25	12.20	CX34-49		7513883
XC14-042-230A	TXV	41,000	15.50	12.50	CX34-50/60C	EL180UH090E60C	7513963
XC14-042-230A	TXV	41,000	15.50	12.50	CX34-50/60C	EL180UH110E60C	7513964
XC14-042-230A	TXV	41,000	15.50	12.50	CX34-50/60C	EL180UH110XE60C	7513965
XC14-042-230A	TXV	41,000	15.10	12.50	CX34-50/60C	EL195UH090XE48C	7513966
XC14-042-230A	TXV	41,000	15.10	12.50	CX34-50/60C	EL195UH110XE60C	7513967
XC14-042-230A	TXV	41,000	15.10	12.50	CX34-50/60C	EL296UH090XE48C	7513968
XC14-042-230A	TXV	41,000	15.10	12.50	CX34-50/60C	EL296UH090XV36C	7513957

NOTES:

TXV = Matched with Thermostatic Expansion Valve.

RFC = Matched with RFC metering device.

AHRI certified to AHRI Standard 210/240 (with 25 ft. of connecting refrigerant lines); 95°F outdoor air temperature, 80°F db / 67°F wb entering evaporator air.

All ratings include the use of a blower time delay relay (TDR). All Lennox variable-speed furnaces and Air Handlers have time delay capabilities. Other Furnaces and Air Handlers may require an optional time delay relay (**58M81**) for field installation. See furnace or air handler specifications to determine if relay is needed.

Also see Expansion Valve Kit Usage Table.

AHRI SYSTEM MATCHES - ALL REGIONS - 018-024-030-041-042-047-048-060

NOTE - For the latest up-to-date system matches please visit the AHRI web site at <http://www.ahridirectory.org>

Model No.	Expansion Device	Capacity	SEER	EER	Coil or Air Handler	Furnace	AHRI Reference
XC14-042-230A	TXV	41,000	15.10	12.50	CX34-50/60C	EL296UH090XV48C	7513958
XC14-042-230A	TXV	41,000	15.10	12.50	CX34-50/60C	EL296UH090XV60C	7513959
XC14-042-230A	TXV	41,000	15.10	12.50	CX34-50/60C	EL296UH110XE60C	7513960
XC14-042-230A	TXV	41,000	15.10	12.50	CX34-50/60C	EL296UH110XV48C	7513961
XC14-042-230A	TXV	41,000	15.10	12.50	CX34-50/60C	EL296UH110XV60C	7513962
XC14-042-230A	TXV	41,500	15.10	12.50	CX34-50/60C	SL280UH090V60C	7513951
XC14-042-230A	TXV	41,500	15.10	12.50	CX34-50/60C	SL280UH090XV60C	7513952
XC14-042-230A	TXV	41,000	15.10	12.50	CX34-50/60C	SL280UH110V60C	7513953
XC14-042-230A	TXV	41,000	15.10	12.50	CX34-50/60C	SL280UH110XV60C	7513954
XC14-042-230A	TXV	41,000	15.10	12.50	CX34-50/60C	SLP98UH090XV36C	7513955
XC14-042-230A	TXV	41,000	15.10	12.50	CX34-50/60C	SLP98UH090XV48C	7513956
XC14-042-230A	TXV	41,000	15.10	12.50	CX34-50/60C	SLP98UH090XV60C	7513945
XC14-042-230A	TXV	41,000	15.10	12.50	CX34-50/60C	SLP98UH110XV60C	7513946
XC14-042-230A	TXV	42,000	16.00	13.00	CX34-60D	EL180UH135E60D	7513947
XC14-042-230A	TXV	42,000	15.50	12.50	CX34-60D	EL195UH135XE60D	7513948
XC14-042-230A	TXV	42,000	15.50	12.50	CX34-60D	EL296UH135XE60D	7513949
XC14-042-230A	TXV	42,000	16.00	13.00	CX34-60D	SL280UH135V60D	7513950
XC14-042-230A	TXV	42,000	16.00	13.00	CX34-62C	EL180UH090E60C	7513939
XC14-042-230A	TXV	42,000	16.00	13.00	CX34-62C	EL180UH110E60C	7513940
XC14-042-230A	TXV	42,000	16.00	13.00	CX34-62C	EL180UH110XE60C	7513941
XC14-042-230A	TXV	42,000	16.00	13.00	CX34-62C	EL195UH090XE48C	7513942
XC14-042-230A	TXV	42,000	16.00	13.00	CX34-62C	EL195UH110XE60C	7513943
XC14-042-230A	TXV	42,000	16.00	13.00	CX34-62C	EL296UH090XE48C	7513944
XC14-042-230A	TXV	42,000	15.50	12.50	CX34-62C	EL296UH090XV36C	7513933
XC14-042-230A	TXV	42,000	16.00	13.00	CX34-62C	EL296UH090XV48C	7513934
XC14-042-230A	TXV	42,000	15.50	12.50	CX34-62C	EL296UH090XV60C	7513935
XC14-042-230A	TXV	42,000	16.00	13.00	CX34-62C	EL296UH110XE60C	7513936
XC14-042-230A	TXV	42,000	16.00	13.00	CX34-62C	EL296UH110XV60C	7513937
XC14-042-230A	TXV	42,000	16.00	13.00	CX34-62C	SL280UH090V60C	7513938
XC14-042-230A	TXV	42,000	16.00	13.00	CX34-62C	SL280UH090XV60C	7513927
XC14-042-230A	TXV	42,000	16.00	13.00	CX34-62C	SL280UH110V60C	7513928
XC14-042-230A	TXV	42,000	16.00	13.00	CX34-62C	SL280UH110XV60C	7513929
XC14-042-230A	TXV	42,000	15.50	12.50	CX34-62C	SLP98UH090XV36C	7513930
XC14-042-230A	TXV	42,000	16.00	13.00	CX34-62C	SLP98UH090XV48C	7513931
XC14-042-230A	TXV	42,000	15.50	12.50	CX34-62C	SLP98UH090XV60C	7513932
XC14-042-230A	TXV	42,000	16.00	13.00	CX34-62C	SLP98UH110XV60C	7513921
XC14-042-230A	TXV	42,000	14.25	12.20	CX34-62C		7513874
XC14-042-230A	TXV	42,000	16.00	13.00	CX34-62D	EL180UH135E60D	7513922
XC14-042-230A	TXV	42,000	15.50	12.50	CX34-62D	EL195UH135XE60D	7513923
XC14-042-230A	TXV	42,000	15.50	12.50	CX34-62D	EL296UH135XE60D	7513924
XC14-042-230A	TXV	42,000	16.00	13.00	CX34-62D	SL280UH135V60D	7513925
XC14-042-230A	TXV	41,500	14.50	12.20	CX34-62D		7513875
XC14-042-230A	TXV	39,500	14.50	12.20	CX35-30/36B	EL180UH090E48B	8261130
XC14-042-230A	TXV	39,500	14.50	12.20	CX35-30/36B	EL180UH090XE48B	8261132
XC14-042-230A	TXV	39,500	14.50	12.20	CX35-30/36B	SL280UH090V36B	8261134
XC14-042-230A	TXV	39,500	14.50	12.20	CX35-30/36B	SL280UH090V48B	8261135
XC14-042-230A	TXV	39,500	14.50	12.20	CX35-30/36B	SL280UH090XV48B	8261137
XC14-042-230A	TXV	39,500	14.50	12.20	CX35-30/36C	EL180UH090E60C	8261159
XC14-042-230A	TXV	39,000	14.50	12.20	CX35-30/36C	EL180UH110E60C	8261160

NOTES:

TXV = Matched with Thermostatic Expansion Valve.

RFC = Matched with RFC metering device.

AHRI certified to AHRI Standard 210/240 (with 25 ft. of connecting refrigerant lines); 95°F outdoor air temperature, 80°F db / 67°F wb entering evaporator air.

All ratings include the use of a blower time delay relay (TDR). All Lennox variable-speed furnaces and Air Handlers have time delay capabilities. Other Furnaces and Air Handlers may require an optional time delay relay (**58M81**) for field installation. See furnace or air handler specifications to determine if relay is needed.

Also see Expansion Valve Kit Usage Table.

AHRI SYSTEM MATCHES - ALL REGIONS - 018-024-030-041-042-047-048-060

NOTE - For the latest up-to-date system matches please visit the AHRI web site at <http://www.ahridirectory.org>

Model No.	Expansion Device	Capacity	SEER	EER	Coil or Air Handler	Furnace	AHRI Reference
XC14-042-230A	TXV	39,000	14.50	12.20	CX35-30/36C	EL180UH110XE60C	8261162
XC14-042-230A	TXV	39,000	14.50	12.20	CX35-30/36C	EL195UH090XE48C	8261152
XC14-042-230A	TXV	39,500	14.50	12.20	CX35-30/36C	EL195UH110XE60C	8261154
XC14-042-230A	TXV	39,000	14.50	12.20	CX35-30/36C	EL296UH090XE48C	8261155
XC14-042-230A	TXV	39,000	14.50	12.20	CX35-30/36C	EL296UH090XV48C	8261157
XC14-042-230A	TXV	39,500	14.50	12.20	CX35-30/36C	EL296UH110XE60C	8261142
XC14-042-230A	TXV	39,500	14.50	12.20	CX35-30/36C	EL296UH110XV60C	8261144
XC14-042-230A	TXV	39,500	14.50	12.20	CX35-30/36C	SL280UH090V60C	8261145
XC14-042-230A	TXV	39,500	14.50	12.20	CX35-30/36C	SL280UH090XV60C	8261147
XC14-042-230A	TXV	39,500	14.50	12.20	CX35-30/36C	SL280UH110V60C	8261149
XC14-042-230A	TXV	39,500	14.50	12.20	CX35-30/36C	SL280UH110XV60C	8261150
XC14-042-230A	TXV	39,000	14.50	12.20	CX35-30/36C	SLP98UH090XV48C	8261139
XC14-042-230A	TXV	39,500	14.50	12.20	CX35-30/36C	SLP98UH110XV60C	8261140
XC14-042-230A	TXV	41,000	15.10	12.50	CX35-36B	EL180UH090E48B	8261174
XC14-042-230A	TXV	41,000	15.10	12.50	CX35-36B	EL180UH090XE48B	8261175
XC14-042-230A	TXV	40,500	14.50	12.20	CX35-36B	EL296UH045XV36B	8261164
XC14-042-230A	TXV	40,500	14.50	12.20	CX35-36B	EL296UH070XV36B	8261165
XC14-042-230A	TXV	41,000	15.10	12.50	CX35-36B	SL280UH090V36B	8261167
XC14-042-230A	TXV	41,000	15.10	12.50	CX35-36B	SL280UH090V48B	8261169
XC14-042-230A	TXV	41,000	15.10	12.50	CX35-36B	SL280UH090XV48B	8261171
XC14-042-230A	TXV	40,500	14.50	12.20	CX35-36B	SLP98UH070XV36B	8261172
XC14-042-230A	TXV	41,500	15.50	12.50	CX35-48B	EL180UH090E48B	8261184
XC14-042-230A	TXV	41,500	15.50	12.50	CX35-48B	EL180UH090XE48B	8261185
XC14-042-230A	TXV	41,000	14.50	12.20	CX35-48B	EL296UH045XV36B	8261187
XC14-042-230A	TXV	41,000	14.50	12.20	CX35-48B	EL296UH070XV36B	8261189
XC14-042-230A	TXV	41,000	15.10	12.50	CX35-48B	SL280UH090V36B	8261177
XC14-042-230A	TXV	41,500	15.10	12.50	CX35-48B	SL280UH090V48B	8261179
XC14-042-230A	TXV	41,500	15.10	12.50	CX35-48B	SL280UH090XV48B	8261180
XC14-042-230A	TXV	41,000	14.50	12.20	CX35-48B	SLP98UH070XV36B	8261182
XC14-042-230A	TXV	41,500	15.50	12.50	CX35-48C	EL180UH090E60C	8261220
XC14-042-230A	TXV	41,500	15.50	12.50	CX35-48C	EL180UH110E60C	8261222
XC14-042-230A	TXV	41,500	15.50	12.50	CX35-48C	EL180UH110XE60C	8261210
XC14-042-230A	TXV	41,000	15.50	12.50	CX35-48C	EL195UH090XE48C	8261212
XC14-042-230A	TXV	41,500	15.50	12.50	CX35-48C	EL195UH110XE60C	8261213
XC14-042-230A	TXV	41,000	15.50	12.50	CX35-48C	EL296UH090XE48C	8261215
XC14-042-230A	TXV	41,000	15.10	12.50	CX35-48C	EL296UH090XV36C	8261217
XC14-042-230A	TXV	41,000	15.10	12.50	CX35-48C	EL296UH090XV48C	8261218
XC14-042-230A	TXV	41,500	15.10	12.50	CX35-48C	EL296UH090XV60C	8261200
XC14-042-230A	TXV	41,500	15.50	12.50	CX35-48C	EL296UH110XE60C	8261202
XC14-042-230A	TXV	41,500	15.10	12.50	CX35-48C	EL296UH110XV48C	8261203
XC14-042-230A	TXV	41,500	15.50	12.50	CX35-48C	EL296UH110XV60C	8261205
XC14-042-230A	TXV	41,500	15.50	12.50	CX35-48C	SL280UH090V60C	8261207
XC14-042-230A	TXV	41,500	15.50	12.50	CX35-48C	SL280UH090XV60C	8261208
XC14-042-230A	TXV	41,500	15.50	12.50	CX35-48C	SL280UH110V60C	8261190
XC14-042-230A	TXV	41,500	15.50	12.50	CX35-48C	SL280UH110XV60C	8261192
XC14-042-230A	TXV	41,000	15.10	12.50	CX35-48C	SLP98UH090XV36C	8261194
XC14-042-230A	TXV	41,000	15.10	12.50	CX35-48C	SLP98UH090XV48C	8261195
XC14-042-230A	TXV	41,500	15.10	12.50	CX35-48C	SLP98UH090XV60C	8261197
XC14-042-230A	TXV	41,500	15.50	12.50	CX35-48C	SLP98UH110XV60C	8261198

NOTES:

TXV = Matched with Thermostatic Expansion Valve.

RFC = Matched with RFC metering device.

AHRI certified to AHRI Standard 210/240 (with 25 ft. of connecting refrigerant lines); 95°F outdoor air temperature, 80°F db / 67°F wb entering evaporator air.

All ratings include the use of a blower time delay relay (TDR). All Lennox variable-speed furnaces and Air Handlers have time delay capabilities. Other Furnaces and Air Handlers may require an optional time delay relay (**58M81**) for field installation. See furnace or air handler specifications to determine if relay is needed.

Also see Expansion Valve Kit Usage Table.

AHRI SYSTEM MATCHES - ALL REGIONS - 018-024-030-041-042-047-048-060

NOTE - For the latest up-to-date system matches please visit the AHRI web site at <http://www.ahridirectory.org>

Model No.	Expansion Device	Capacity	SEER	EER	Coil or Air Handler	Furnace	AHRI Reference
XC14-042-230A	TXV	42,000	16.00	13.00	CX35-49C	EL180UH090E60C	8261255
XC14-042-230A	TXV	42,000	16.00	13.00	CX35-49C	EL180UH110E60C	8261257
XC14-042-230A	TXV	42,000	16.00	13.00	CX35-49C	EL180UH110XE60C	8261245
XC14-042-230A	TXV	41,500	15.50	12.50	CX35-49C	EL195UH090XE48C	8261247
XC14-042-230A	TXV	42,000	15.50	12.50	CX35-49C	EL195UH110XE60C	8261248
XC14-042-230A	TXV	41,500	15.50	12.50	CX35-49C	EL296UH090XE48C	8261250
XC14-042-230A	TXV	41,500	15.50	12.50	CX35-49C	EL296UH090XV36C	8261252
XC14-042-230A	TXV	41,500	15.50	12.50	CX35-49C	EL296UH090XV48C	8261253
XC14-042-230A	TXV	42,000	15.50	12.50	CX35-49C	EL296UH090XV60C	8261235
XC14-042-230A	TXV	42,000	15.50	12.50	CX35-49C	EL296UH110XE60C	8261236
XC14-042-230A	TXV	42,000	15.50	12.50	CX35-49C	EL296UH110XV48C	8261238
XC14-042-230A	TXV	42,000	15.50	12.50	CX35-49C	EL296UH110XV60C	8261240
XC14-042-230A	TXV	42,000	16.00	13.00	CX35-49C	SL280UH090V60C	8261241
XC14-042-230A	TXV	42,000	16.00	13.00	CX35-49C	SL280UH090XV60C	8261243
XC14-042-230A	TXV	42,000	15.50	12.50	CX35-49C	SL280UH110V60C	8261225
XC14-042-230A	TXV	42,000	15.50	12.50	CX35-49C	SL280UH110XV60C	8261227
XC14-042-230A	TXV	41,500	15.50	12.50	CX35-49C	SLP98UH090XV36C	8261228
XC14-042-230A	TXV	41,500	15.50	12.50	CX35-49C	SLP98UH090XV48C	8261230
XC14-042-230A	TXV	42,000	15.50	12.50	CX35-49C	SLP98UH090XV60C	8261231
XC14-042-230A	TXV	42,000	15.50	12.50	CX35-49C	SLP98UH110XV60C	8261233
XC14-042-230A	TXV	41,500	14.25	12.20	CX35-49C		8261223
XC14-042-230A	TXV	41,000	15.50	12.50	CX35-50/60C	EL180UH090E60C	8262118
XC14-042-230A	TXV	41,000	15.50	12.50	CX35-50/60C	EL180UH110E60C	8262120
XC14-042-230A	TXV	41,000	15.50	12.50	CX35-50/60C	EL180UH110XE60C	8262122
XC14-042-230A	TXV	41,000	15.10	12.50	CX35-50/60C	EL195UH090XE48C	8262124
XC14-042-230A	TXV	41,000	15.10	12.50	CX35-50/60C	EL195UH110XE60C	8262125
XC14-042-230A	TXV	41,000	15.10	12.50	CX35-50/60C	EL296UH090XE48C	8262127
XC14-042-230A	TXV	41,000	15.10	12.50	CX35-50/60C	EL296UH090XV36C	8262109
XC14-042-230A	TXV	41,000	15.10	12.50	CX35-50/60C	EL296UH090XV48C	8262110
XC14-042-230A	TXV	41,000	15.10	12.50	CX35-50/60C	EL296UH090XV60C	8262112
XC14-042-230A	TXV	41,000	15.10	12.50	CX35-50/60C	EL296UH110XE60C	8262114
XC14-042-230A	TXV	41,000	15.10	12.50	CX35-50/60C	EL296UH110XV48C	8262115
XC14-042-230A	TXV	41,000	15.10	12.50	CX35-50/60C	EL296UH110XV60C	8262117
XC14-042-230A	TXV	41,500	15.10	12.50	CX35-50/60C	SL280UH090V60C	8262099
XC14-042-230A	TXV	41,500	15.10	12.50	CX35-50/60C	SL280UH090XV60C	8262100
XC14-042-230A	TXV	41,000	15.10	12.50	CX35-50/60C	SL280UH110V60C	8262102
XC14-042-230A	TXV	41,000	15.10	12.50	CX35-50/60C	SL280UH110XV60C	8262104
XC14-042-230A	TXV	41,000	15.10	12.50	CX35-50/60C	SLP98UH090XV36C	8262105
XC14-042-230A	TXV	41,000	15.10	12.50	CX35-50/60C	SLP98UH090XV48C	8262107
XC14-042-230A	TXV	41,000	15.10	12.50	CX35-50/60C	SLP98UH090XV60C	8262095
XC14-042-230A	TXV	41,000	15.10	12.50	CX35-50/60C	SLP98UH110XV60C	8262097
XC14-042-230A	TXV	42,000	16.00	13.00	CX35-60C	EL180UH090E60C	8262150
XC14-042-230A	TXV	42,000	16.00	13.00	CX35-60C	EL180UH110E60C	8262151
XC14-042-230A	TXV	42,000	16.00	13.00	CX35-60C	EL180UH110XE60C	8262153
XC14-042-230A	TXV	42,000	16.00	13.00	CX35-60C	EL195UH090XE48C	8262154
XC14-042-230A	TXV	42,000	16.00	13.00	CX35-60C	EL195UH110XE60C	8262156
XC14-042-230A	TXV	42,000	16.00	13.00	CX35-60C	EL296UH090XE48C	8262158
XC14-042-230A	TXV	42,000	15.50	12.50	CX35-60C	EL296UH090XV36C	8262140
XC14-042-230A	TXV	42,000	16.00	13.00	CX35-60C	EL296UH090XV48C	8262142

NOTES:

TXV = Matched with Thermostatic Expansion Valve.

RFC = Matched with RFC metering device.

AHRI certified to AHRI Standard 210/240 (with 25 ft. of connecting refrigerant lines); 95°F outdoor air temperature, 80°F db / 67°F wb entering evaporator air.

All ratings include the use of a blower time delay relay (TDR). All Lennox variable-speed furnaces and Air Handlers have time delay capabilities. Other Furnaces and Air Handlers may require an optional time delay relay (**58M81**) for field installation. See furnace or air handler specifications to determine if relay is needed.

Also see Expansion Valve Kit Usage Table.

AHRI SYSTEM MATCHES - ALL REGIONS - 018-024-030-041-042-047-048-060

NOTE - For the latest up-to-date system matches please visit the AHRI web site at <http://www.ahridirectory.org>

Model No.	Expansion Device	Capacity	SEER	EER	Coil or Air Handler	Furnace	AHRI Reference
XC14-042-230A	TXV	42,000	15.50	12.50	CX35-60C	EL296UH090XV60C	8262144
XC14-042-230A	TXV	42,000	16.00	13.00	CX35-60C	EL296UH110XE60C	8262145
XC14-042-230A	TXV	42,000	16.00	13.00	CX35-60C	EL296UH110XV60C	8262146
XC14-042-230A	TXV	42,000	16.00	13.00	CX35-60C	SL280UH090V60C	8262148
XC14-042-230A	TXV	42,000	16.00	13.00	CX35-60C	SL280UH090XV60C	8262130
XC14-042-230A	TXV	42,000	16.00	13.00	CX35-60C	SL280UH110V60C	8262132
XC14-042-230A	TXV	42,000	16.00	13.00	CX35-60C	SL280UH110XV60C	8262134
XC14-042-230A	TXV	42,000	15.50	12.50	CX35-60C	SLP98UH090XV36C	8262135
XC14-042-230A	TXV	42,000	16.00	13.00	CX35-60C	SLP98UH090XV48C	8262137
XC14-042-230A	TXV	42,000	15.50	12.50	CX35-60C	SLP98UH090XV60C	8262139
XC14-042-230A	TXV	42,000	16.00	13.00	CX35-60C	SLP98UH110XV60C	8262129
XC14-042-230A	TXV	42,000	16.00	13.00	CX35-60D	EL180UH135E60D	8262161
XC14-042-230A	TXV	42,000	15.50	12.50	CX35-60D	EL195UH135XE60D	8262163
XC14-042-230A	TXV	42,000	15.50	12.50	CX35-60D	EL296UH135XE60D	8262165
XC14-042-230A	TXV	42,000	16.00	13.00	CX35-60D	SL280UH135V60D	8262166
XC14-042-230A	TXV	41,500	14.50	12.20	CX35-60D		8262160
XC14-047-230	TXV	46,000	15.00	12.50	C33-43	EL180UH090E48B	5735092
XC14-047-230	TXV	46,000	15.00	12.50	C33-43	EL180UH090XE48B	5737130
XC14-047-230	TXV	45,000	14.70	12.20	C33-48	EL180UH090E48B	5735095
XC14-047-230	TXV	45,000	15.00	12.50	C33-48	EL180UH090E60C	5735982
XC14-047-230	TXV	45,000	14.70	12.20	C33-48	EL180UH090XE48B	5737132
XC14-047-230	TXV	45,000	14.70	12.20	C33-48	EL195UH090XE48C	4694266
XC14-047-230	TXV	45,000	14.70	12.20	C33-48	EL195UH110XE60C	4694278
XC14-047-230	TXV	45,000	14.70	12.20	C33-48	EL296UH090XE48C	5647327
XC14-047-230	TXV	45,000	14.70	12.20	C33-48	EL296UH110XE60C	5647342
XC14-047-230	TXV	45,000	14.70	12.20	C33-48	SL280UH090V60C	3869207
XC14-047-230	TXV	45,000	14.70	12.20	C33-48	SL280UH090XV60C	4235244
XC14-047-230	TXV	45,000	14.70	12.20	C33-48	SL280UH110V60C	3869208
XC14-047-230	TXV	45,000	14.70	12.20	C33-48	SL280UH110XV60C	4040443
XC14-047-230	TXV	45,000	14.20	11.70	C33-48		3869209
XC14-047-230	TXV	47,000	15.70	13.00	C33-49	EL180UH090E60C	5735984
XC14-047-230	TXV	46,500	15.70	13.00	C33-49	EL180UH110E60C	5737807
XC14-047-230	TXV	46,500	15.70	13.00	C33-49	EL180UH110XE60C	5738861
XC14-047-230	TXV	47,000	15.20	12.70	C33-49	EL195UH090XE48C	4694267
XC14-047-230	TXV	47,000	15.50	12.70	C33-49	EL195UH110XE60C	4694279
XC14-047-230	TXV	47,000	15.20	12.70	C33-49	EL296UH090XE48C	5647328
XC14-047-230	TXV	47,000	15.20	12.70	C33-49	EL296UH090XV48C	5058618
XC14-047-230	TXV	47,000	15.50	12.70	C33-49	EL296UH090XV60C	5058619
XC14-047-230	TXV	47,000	15.50	12.70	C33-49	EL296UH110XE60C	5647343
XC14-047-230	TXV	47,000	15.50	12.70	C33-49	EL296UH110XV60C	5058620
XC14-047-230	TXV	47,000	15.70	13.00	C33-49	SL280UH090V60C	4253843
XC14-047-230	TXV	47,000	15.70	13.00	C33-49	SL280UH110V60C	4253844
XC14-047-230	TXV	47,000	15.20	12.70	C33-49	SLP98UH090XV48C	5140527
XC14-047-230	TXV	47,000	15.50	12.70	C33-49	SLP98UH090XV60C	5140528
XC14-047-230	TXV	47,000	15.50	12.70	C33-49	SLP98UH110XV60C	5140529
XC14-047-230	TXV	45,500	15.20	12.50	C33-50/60C	EL180UH090E60C	5735986
XC14-047-230	TXV	46,000	14.70	12.20	C33-50/60C	EL180UH110E60C	5737810
XC14-047-230	TXV	46,000	14.70	12.20	C33-50/60C	EL180UH110XE60C	5738864
XC14-047-230	TXV	45,500	15.00	12.50	C33-50/60C	EL195UH090XE48C	4694268

NOTES:

TXV = Matched with Thermostatic Expansion Valve.

RFC = Matched with RFC metering device.

AHRI certified to AHRI Standard 210/240 (with 25 ft. of connecting refrigerant lines); 95°F outdoor air temperature, 80°F db / 67°F wb entering evaporator air.

All ratings include the use of a blower time delay relay (TDR). All Lennox variable-speed furnaces and Air Handlers have time delay capabilities. Other Furnaces and Air Handlers may require an optional time delay relay (**58M81**) for field installation. See furnace or air handler specifications to determine if relay is needed.

Also see Expansion Valve Kit Usage Table.

AHRI SYSTEM MATCHES - ALL REGIONS - 018-024-030-041-042-047-048-060

NOTE - For the latest up-to-date system matches please visit the AHRI web site at <http://www.ahridirectory.org>

Model No.	Expansion Device	Capacity	SEER	EER	Coil or Air Handler	Furnace	AHRI Reference
XC14-047-230	TXV	45,500	15.00	12.50	C33-50/60C	EL195UH110XE60C	4694280
XC14-047-230	TXV	45,500	15.00	12.50	C33-50/60C	EL296UH090XE48C	5647329
XC14-047-230	TXV	45,500	15.00	12.50	C33-50/60C	EL296UH110XE60C	5647344
XC14-047-230	TXV	47,000	15.70	13.00	C33-60D	EL180UH135E60D	5746068
XC14-047-230	TXV	47,000	15.20	12.70	C33-60D	EL195UH135XE60D	4694290
XC14-047-230	TXV	47,000	15.20	12.70	C33-60D	EL296UH135XE60D	5647291
XC14-047-230	TXV	47,500	16.00	13.20	C33-62C	EL180UH090E60C	5735989
XC14-047-230	TXV	47,500	16.00	13.20	C33-62C	EL180UH110E60C	5737812
XC14-047-230	TXV	47,500	16.00	13.20	C33-62C	EL180UH110XE60C	5738865
XC14-047-230	TXV	47,500	15.70	13.00	C33-62C	EL195UH090XE48C	4694269
XC14-047-230	TXV	47,500	15.70	13.00	C33-62C	EL195UH110XE60C	4694281
XC14-047-230	TXV	47,500	15.70	13.00	C33-62C	EL296UH090XE48C	5647330
XC14-047-230	TXV	47,500	15.70	13.00	C33-62C	EL296UH110XE60C	5647345
XC14-047-230	TXV	48,000	16.00	13.00	C33-62C	SL280UH090V60C	4253848
XC14-047-230	TXV	48,000	16.00	13.00	C33-62C	SL280UH090XV60C	6883827
XC14-047-230	TXV	47,500	16.00	13.00	C33-62C	SL280UH110V60C	4253849
XC14-047-230	TXV	47,500	16.00	13.00	C33-62C	SL280UH110XV60C	6883828
XC14-047-230	TXV	47,000	14.70	12.50	C33-62C		3869210
XC14-047-230	TXV	47,500	15.70	13.20	C33-62D	EL180UH135E60D	5746069
XC14-047-230	TXV	47,000	15.50	12.70	C33-62D	EL195UH135XE60D	4694291
XC14-047-230	TXV	47,000	15.50	12.70	C33-62D	EL296UH135XE60D	5647292
XC14-047-230	TXV	46,000	15.00	12.50	C35-48B	EL180UH090E48B	8266185
XC14-047-230	TXV	46,000	15.00	12.50	C35-48B	EL180UH090XE48B	8266184
XC14-047-230	TXV	46,000	15.00	12.50	C35-49C	EL180UH090E60C	8266186
XC14-047-230	TXV	46,500	15.10	12.50	C35-49C	EL180UH110E60C	8266187
XC14-047-230	TXV	46,500	15.10	12.50	C35-49C	EL180UH110XE60C	8266188
XC14-047-230	TXV	46,500	15.10	12.50	C35-49C	EL195UH090XE48C	8266198
XC14-047-230	TXV	46,500	15.50	12.50	C35-49C	EL195UH110XE60C	8266197
XC14-047-230	TXV	46,500	15.10	12.50	C35-49C	EL296UH090XE48C	8266190
XC14-047-230	TXV	47,000	15.10	12.50	C35-49C	EL296UH090XV48C	8266194
XC14-047-230	TXV	47,000	15.10	12.50	C35-49C	EL296UH090XV60C	8266195
XC14-047-230	TXV	46,500	15.50	12.50	C35-49C	EL296UH110XE60C	8266189
XC14-047-230	TXV	47,000	15.10	12.50	C35-49C	EL296UH110XV60C	8266196
XC14-047-230	TXV	47,000	15.50	12.50	C35-49C	SL280UH090V60C	8266199
XC14-047-230	TXV	47,000	15.10	12.50	C35-49C	SL280UH110V60C	8266200
XC14-047-230	TXV	47,000	15.10	12.50	C35-49C	SLP98UH090XV48C	8266192
XC14-047-230	TXV	47,000	15.50	12.50	C35-49C	SLP98UH090XV60C	8266193
XC14-047-230	TXV	47,000	15.10	12.50	C35-49C	SLP98UH110XV60C	8266191
XC14-047-230	TXV	45,500	15.10	12.50	C35-50/60C	EL180UH090E60C	8266201
XC14-047-230	TXV	46,000	14.50	12.20	C35-50/60C	EL180UH110E60C	8266202
XC14-047-230	TXV	46,000	14.70	12.20	C35-50/60C	EL180UH110XE60C	8266203
XC14-047-230	TXV	45,500	15.00	12.20	C35-50/60C	EL195UH090XE48C	8266207
XC14-047-230	TXV	45,500	15.00	12.50	C35-50/60C	EL195UH110XE60C	8266206
XC14-047-230	TXV	45,500	15.00	12.20	C35-50/60C	EL296UH090XE48C	8266205
XC14-047-230	TXV	45,500	15.00	12.50	C35-50/60C	EL296UH110XE60C	8266204
XC14-047-230	TXV	47,500	16.00	13.00	C35-60C	EL180UH090E60C	8266211
XC14-047-230	TXV	47,500	16.00	13.00	C35-60C	EL180UH110E60C	8266212
XC14-047-230	TXV	47,500	16.00	13.00	C35-60C	EL180UH110XE60C	8266213
XC14-047-230	TXV	47,500	15.50	12.50	C35-60C	EL195UH090XE48C	8266217

NOTES:

TXV = Matched with Thermostatic Expansion Valve.

RFC = Matched with RFC metering device.

AHRI certified to AHRI Standard 210/240 (with 25 ft. of connecting refrigerant lines); 95°F outdoor air temperature, 80°F db / 67°F wb entering evaporator air. All ratings include the use of a blower time delay relay (TDR). All Lennox variable-speed furnaces and Air Handlers have time delay capabilities. Other Furnaces and Air Handlers may require an optional time delay relay (**58M81**) for field installation. See furnace or air handler specifications to determine if relay is needed.

Also see Expansion Valve Kit Usage Table.

AHRI SYSTEM MATCHES - ALL REGIONS - 018-024-030-041-042-047-048-060

NOTE - For the latest up-to-date system matches please visit the AHRI web site at <http://www.ahridirectory.org>

Model No.	Expansion Device	Capacity	SEER	EER	Coil or Air Handler	Furnace	AHRI Reference
XC14-047-230	TXV	47,500	15.50	12.50	C35-60C	EL195UH110XE60C	8266216
XC14-047-230	TXV	47,500	15.50	12.50	C35-60C	EL296UH090XE48C	8266215
XC14-047-230	TXV	47,500	15.50	12.50	C35-60C	EL296UH110XE60C	8266214
XC14-047-230	TXV	48,000	16.00	13.00	C35-60C	SL280UH090V60C	8266218
XC14-047-230	TXV	48,000	16.00	13.00	C35-60C	SL280UH090XV60C	8266209
XC14-047-230	TXV	47,500	16.00	13.00	C35-60C	SL280UH110V60C	8266219
XC14-047-230	TXV	47,500	16.00	13.00	C35-60C	SL280UH110XV60C	8266210
XC14-047-230	TXV	47,000	14.50	12.20	C35-60C		8266208
XC14-047-230	TXV	47,500	15.50	12.50	C35-60D	EL180UH135E60D	8266220
XC14-047-230	TXV	47,000	15.50	12.50	C35-60D	EL195UH135XE60D	8266222
XC14-047-230	TXV	47,000	15.50	12.50	C35-60D	EL296UH135XE60D	8266221
XC14-047-230	TXV	46,500	15.00	12.50	CBX25UH-048		5732813
XC14-047-230	TXV	47,000	16.00	13.00	CBX25UHV-048		6970213
XC14-047-230	TXV	46,500	16.00	13.00	CBX27UH-048		3869211
XC14-047-230	TXV	46,000	16.00	13.00	CBX32MV-060		3869212
XC14-047-230	TXV	46,000	16.00	13.00	CBX40UHV-060		3869213
XC14-047-230	TXV	47,500	15.50	12.70	CH33-43	EL180UH090E48B	5735084
XC14-047-230	TXV	46,000	15.20	12.70	CH33-43	EL180UH090E60C	5735966
XC14-047-230	TXV	47,500	15.50	12.70	CH33-43	EL180UH090XE48B	5795790
XC14-047-230	TXV	46,500	15.00	12.50	CH33-43	EL180UH110E60C	5737794
XC14-047-230	TXV	46,500	15.00	12.50	CH33-43	EL180UH110XE60C	5738848
XC14-047-230	TXV	47,000	15.20	12.70	CH33-43	SL280UH090V48B	4016682
XC14-047-230	TXV	46,500	15.20	12.70	CH33-43	SL280UH090V60C	4253850
XC14-047-230	TXV	47,000	15.20	12.70	CH33-43	SL280UH090XV48B	4038656
XC14-047-230	TXV	46,000	15.20	12.50	CH33-43	SL280UH110V60C	4253851
XC14-047-230	TXV	46,000	15.00	12.50	CH33-43C	EL195UH090XE48C	4694270
XC14-047-230	TXV	46,000	15.20	12.70	CH33-43C	EL195UH110XE60C	4694282
XC14-047-230	TXV	46,000	15.00	12.50	CH33-43C	EL296UH090XE48C	5647331
XC14-047-230	TXV	46,000	15.20	12.70	CH33-43C	EL296UH110XE60C	5647346
XC14-047-230	TXV	46,000	14.50	12.20	CH33-43C		4216090
XC14-047-230	TXV	45,500	14.70	12.20	CH33-44/48	EL180UH090E48B	5735086
XC14-047-230	TXV	45,500	14.70	12.20	CH33-44/48	EL180UH090XE48B	5737106
XC14-047-230	TXV	45,000	14.50	12.00	CH33-44/48	SL280UH090V48B	4016683
XC14-047-230	TXV	45,000	14.50	12.00	CH33-44/48	SL280UH090XV48B	4038657
XC14-047-230	TXV	45,500	15.20	12.50	CH33-48	EL180UH090E60C	5735969
XC14-047-230	TXV	46,500	14.70	12.20	CH33-48	EL180UH110E60C	5737796
XC14-047-230	TXV	46,500	14.70	12.20	CH33-48	EL180UH110XE60C	5738850
XC14-047-230	TXV	46,000	14.70	12.50	CH33-48	EL296UH090XV48C	5058615
XC14-047-230	TXV	46,000	14.70	12.20	CH33-48	EL296UH090XV60C	5058616
XC14-047-230	TXV	46,000	14.70	12.50	CH33-48	EL296UH110XV60C	5058617
XC14-047-230	TXV	46,000	15.20	12.50	CH33-48	SL280UH090V60C	3869221
XC14-047-230	TXV	46,000	15.20	12.50	CH33-48	SL280UH090XV60C	4235245
XC14-047-230	TXV	46,000	15.00	12.50	CH33-48	SL280UH110V60C	3869222
XC14-047-230	TXV	46,000	15.00	12.50	CH33-48	SL280UH110XV60C	4040444
XC14-047-230	TXV	46,000	14.70	12.50	CH33-48	SLP98UH090XV48C	5140471
XC14-047-230	TXV	46,000	14.70	12.20	CH33-48	SLP98UH090XV60C	5140472
XC14-047-230	TXV	46,000	14.70	12.50	CH33-48	SLP98UH110XV60C	5140473
XC14-047-230	TXV	45,500	14.70	12.50	CH33-48C	EL195UH090XE48C	4694271
XC14-047-230	TXV	45,500	14.70	12.50	CH33-48C	EL195UH110XE60C	4694283

NOTES:

TXV = Matched with Thermostatic Expansion Valve.
 RFC = Matched with RFC metering device.

AHRI certified to AHRI Standard 210/240 (with 25 ft. of connecting refrigerant lines); 95°F outdoor air temperature, 80°F db / 67°F wb entering evaporator air. All ratings include the use of a blower time delay relay (TDR). All Lennox variable-speed furnaces and Air Handlers have time delay capabilities. Other Furnaces and Air Handlers may require an optional time delay relay (**58M81**) for field installation. See furnace or air handler specifications to determine if relay is needed.

Also see Expansion Valve Kit Usage Table.

AHRI SYSTEM MATCHES - ALL REGIONS - 018-024-030-041-042-047-048-060

NOTE - For the latest up-to-date system matches please visit the AHRI web site at <http://www.ahridirectory.org>

Model No.	Expansion Device	Capacity	SEER	EER	Coil or Air Handler	Furnace	AHRI Reference
XC14-047-230	TXV	45,500	14.70	12.50	CH33-48C	EL296UH090XE48C	5647335
XC14-047-230	TXV	45,500	14.70	12.50	CH33-48C	EL296UH110XE60C	5647347
XC14-047-230	TXV	45,500	14.50	12.00	CH33-48C		4216091
XC14-047-230	TXV	46,500	15.50	12.70	CH33-49	EL180UH090E60C	5735971
XC14-047-230	TXV	47,500	15.20	12.70	CH33-49	EL180UH110E60C	5737797
XC14-047-230	TXV	47,500	15.20	12.70	CH33-49	EL180UH110XE60C	5738851
XC14-047-230	TXV	46,500	15.20	12.70	CH33-49	EL195UH090XE48C	4694272
XC14-047-230	TXV	46,500	15.20	12.70	CH33-49	EL195UH110XE60C	4694284
XC14-047-230	TXV	46,500	15.20	12.70	CH33-49	EL296UH090XE48C	5647336
XC14-047-230	TXV	47,000	15.20	12.70	CH33-49	EL296UH090XV48C	5058621
XC14-047-230	TXV	47,000	15.20	12.70	CH33-49	EL296UH090XV60C	5058622
XC14-047-230	TXV	46,500	15.20	12.70	CH33-49	EL296UH110XE60C	5647348
XC14-047-230	TXV	47,000	15.20	12.70	CH33-49	EL296UH110XV60C	5058623
XC14-047-230	TXV	47,000	15.20	12.70	CH33-49	SLP98UH090XV48C	5140530
XC14-047-230	TXV	47,000	15.20	12.70	CH33-49	SLP98UH090XV60C	5140531
XC14-047-230	TXV	47,000	15.20	12.70	CH33-49	SLP98UH110XV60C	5140532
XC14-047-230	TXV	46,500	15.50	12.70	CH33-50/60C	EL180UH090E60C	5735973
XC14-047-230	TXV	47,000	15.00	12.50	CH33-50/60C	EL180UH110E60C	5737799
XC14-047-230	TXV	47,000	15.00	12.50	CH33-50/60C	EL180UH110XE60C	5738853
XC14-047-230	TXV	46,500	15.20	12.70	CH33-50/60C	EL195UH090XE48C	4694273
XC14-047-230	TXV	46,500	15.20	12.70	CH33-50/60C	EL195UH110XE60C	4694285
XC14-047-230	TXV	46,500	15.20	12.70	CH33-50/60C	EL296UH090XE48C	5647337
XC14-047-230	TXV	46,500	15.20	12.70	CH33-50/60C	EL296UH110XE60C	5647332
XC14-047-230	TXV	46,500	14.50	12.20	CH33-50/60C		4253855
XC14-047-230	TXV	46,500	15.50	12.70	CH33-60D	EL180UH135E60D	5746064
XC14-047-230	TXV	46,500	15.00	12.50	CH33-60D	EL195UH135XE60D	4694292
XC14-047-230	TXV	46,500	15.00	12.50	CH33-60D	EL296UH135XE60D	5647293
XC14-047-230	TXV	47,000	15.70	13.00	CH33-62D	EL180UH135E60D	5746065
XC14-047-230	TXV	47,000	15.20	12.70	CH33-62D	EL195UH135XE60D	4694293
XC14-047-230	TXV	47,000	15.20	12.70	CH33-62D	EL296UH135XE60D	5647294
XC14-047-230	TXV	47,500	15.50	12.50	CH35-42B	EL180UH090E48B	7166525
XC14-047-230	TXV	47,500	15.00	12.50	CH35-42B	SL280UH090XV48B	7166526
XC14-047-230	TXV	47,000	14.50	12.00	CH35-42B		7166527
XC14-047-230	TXV	46,000	15.10	12.50	CH35-42C	EL180UH090E60C	7166533
XC14-047-230	TXV	47,000	15.00	12.50	CH35-42C	EL180UH110E60C	7166534
XC14-047-230	TXV	46,000	15.10	12.50	CH35-42C	EL195UH090XE48C	7166529
XC14-047-230	TXV	46,000	15.10	12.50	CH35-42C	EL195UH110XE60C	7166530
XC14-047-230	TXV	46,000	15.10	12.50	CH35-42C	EL296UH090XE48C	7166531
XC14-047-230	TXV	46,000	15.10	12.50	CH35-42C	EL296UH110XE60C	7166532
XC14-047-230	TXV	46,500	15.10	12.50	CH35-42C	SL280UH090V60C	7166535
XC14-047-230	TXV	46,500	15.10	12.50	CH35-42C	SL280UH110V60C	7166536
XC14-047-230	TXV	46,500	15.00	12.50	CH35-42C	SLP98UH090XV48C	7166537
XC14-047-230	TXV	46,500	15.00	12.50	CH35-42C	SLP98UH090XV60C	7166538
XC14-047-230	TXV	46,500	15.00	12.50	CH35-42C	SLP98UH110XV60C	7166539
XC14-047-230	TXV	46,000	14.50	12.00	CH35-42C		7166528
XC14-047-230	TXV	46,000	15.00	12.50	CH35-48B	EL180UH090E48B	7166540
XC14-047-230	TXV	46,000	14.50	12.00	CH35-48B	SL280UH090V48B	7166541
XC14-047-230	TXV	46,000	14.50	12.00	CH35-48B		7166542
XC14-047-230	TXV	46,000	15.10	12.50	CH35-48C	EL180UH090E60C	7166551

NOTES:

TXV = Matched with Thermostatic Expansion Valve.

RFC = Matched with RFC metering device.

AHRI certified to AHRI Standard 210/240 (with 25 ft. of connecting refrigerant lines); 95°F outdoor air temperature, 80°F db / 67°F wb entering evaporator air. All ratings include the use of a blower time delay relay (TDR). All Lennox variable-speed furnaces and Air Handlers have time delay capabilities. Other Furnaces and Air Handlers may require an optional time delay relay (**58M81**) for field installation. See furnace or air handler specifications to determine if relay is needed.

Also see Expansion Valve Kit Usage Table.

AHRI SYSTEM MATCHES - ALL REGIONS - 018-024-030-041-042-047-048-060

NOTE - For the latest up-to-date system matches please visit the AHRI web site at <http://www.ahridirectory.org>

Model No.	Expansion Device	Capacity	SEER	EER	Coil or Air Handler	Furnace	AHRI Reference
XC14-047-230	TXV	46,500	15.00	12.50	CH35-48C	EL180UH110E60C	7166552
XC14-047-230	TXV	46,000	15.00	12.50	CH35-48C	EL195UH090XE48C	7166544
XC14-047-230	TXV	46,000	15.10	12.50	CH35-48C	EL195UH110XE60C	7166545
XC14-047-230	TXV	46,000	15.00	12.50	CH35-48C	EL296UH090XE48C	7166546
XC14-047-230	TXV	46,000	15.00	12.50	CH35-48C	EL296UH090XV48C	7166547
XC14-047-230	TXV	46,000	15.00	12.00	CH35-48C	EL296UH090XV60C	7166548
XC14-047-230	TXV	46,000	15.10	12.50	CH35-48C	EL296UH110XE60C	7166549
XC14-047-230	TXV	46,000	15.00	12.50	CH35-48C	EL296UH110XV60C	7166550
XC14-047-230	TXV	46,500	15.10	12.50	CH35-48C	SL280UH090V60C	7166553
XC14-047-230	TXV	46,000	15.10	12.50	CH35-48C	SL280UH110V60C	7166554
XC14-047-230	TXV	46,000	15.00	12.50	CH35-48C	SLP98UH090XV48C	7166555
XC14-047-230	TXV	46,000	15.00	12.00	CH35-48C	SLP98UH090XV60C	7166556
XC14-047-230	TXV	46,000	15.00	12.50	CH35-48C	SLP98UH110XV60C	7166557
XC14-047-230	TXV	46,000	14.50	12.00	CH35-48C		7166543
XC14-047-230	TXV	47,000	15.50	13.00	CH35-51C	EL180UH090E60C	7166566
XC14-047-230	TXV	47,500	15.10	12.50	CH35-51C	EL180UH110E60C	7166567
XC14-047-230	TXV	47,000	15.10	12.50	CH35-51C	EL195UH090XE48C	7166559
XC14-047-230	TXV	47,000	15.10	12.50	CH35-51C	EL195UH110XE60C	7166560
XC14-047-230	TXV	47,000	15.10	12.50	CH35-51C	EL296UH090XE48C	7166561
XC14-047-230	TXV	47,000	15.10	12.50	CH35-51C	EL296UH090XV48C	7166562
XC14-047-230	TXV	47,000	15.10	12.50	CH35-51C	EL296UH090XV60C	7166563
XC14-047-230	TXV	47,000	15.10	12.50	CH35-51C	EL296UH110XE60C	7166564
XC14-047-230	TXV	47,000	15.10	12.50	CH35-51C	EL296UH110XV60C	7166565
XC14-047-230	TXV	47,000	15.50	12.50	CH35-51C	SL280UH090V60C	7166568
XC14-047-230	TXV	47,000	15.10	12.50	CH35-51C	SL280UH110V60C	7166569
XC14-047-230	TXV	47,000	15.10	12.50	CH35-51C	SLP98UH090XV48C	7166570
XC14-047-230	TXV	47,000	15.10	12.50	CH35-51C	SLP98UH090XV60C	7166571
XC14-047-230	TXV	47,000	15.10	12.50	CH35-51C	SLP98UH110XV60C	7166572
XC14-047-230	TXV	47,000	14.50	12.00	CH35-51C		7166558
XC14-047-230	TXV	47,500	15.50	13.00	CH35-60D	EL180UH135E60D	7166576
XC14-047-230	TXV	47,000	15.10	12.50	CH35-60D	EL195UH135XE60D	7166574
XC14-047-230	TXV	47,000	15.10	12.50	CH35-60D	EL296UH135XE60D	7166575
XC14-047-230	TXV	47,000	15.50	13.00	CH35-60D	SL280UH135V60D	7166577
XC14-047-230	TXV	47,000	15.50	12.50	CH35-60D	SLP98UH135V60D	7166578
XC14-047-230	TXV	47,000	14.50	12.00	CH35-60D		7166573
XC14-047-230	TXV	45,000	15.20	12.50	CR33-50/60	EL180DF110E60C	5733503
XC14-047-230	TXV	44,500	14.70	12.20	CR33-50/60	EL195DF090XE48C	4694264
XC14-047-230	TXV	44,500	15.20	12.20	CR33-50/60	EL195DF110XE60C	4694265
XC14-047-230	TXV	44,500	14.70	12.20	CR33-50/60	EL296DF090XE48C	5647325
XC14-047-230	TXV	44,500	15.20	12.20	CR33-50/60	EL296DF110XE60C	5647326
XC14-047-230	TXV	45,500	15.70	13.00	CR33-50/60	SL280DF090V60C	3869231
XC14-047-230	TXV	45,500	15.70	13.00	CR33-50/60	SL280DF110V60C	3869232
XC14-047-230	TXV	46,000	15.00	12.50	CX34-43	EL180UH090E48B	5735089
XC14-047-230	TXV	46,000	15.00	12.50	CX34-43	EL180UH090XE48B	5737108
XC14-047-230	TXV	46,000	14.70	12.50	CX34-43	SL280UH090V48B	4016680
XC14-047-230	TXV	46,000	14.70	12.50	CX34-43	SL280UH090XV48B	4038654
XC14-047-230	TXV	45,000	14.70	12.20	CX34-44/48	EL180UH090E48B	5735090
XC14-047-230	TXV	45,000	15.00	12.50	CX34-44/48	EL180UH090E60C	5735975
XC14-047-230	TXV	45,000	14.70	12.20	CX34-44/48	EL180UH090XE48B	5737128

NOTES:

TXV = Matched with Thermostatic Expansion Valve.

RFC = Matched with RFC metering device.

AHRI certified to AHRI Standard 210/240 (with 25 ft. of connecting refrigerant lines); 95°F outdoor air temperature, 80°F db / 67°F wb entering evaporator air.

All ratings include the use of a blower time delay relay (TDR). All Lennox variable-speed furnaces and Air Handlers have time delay capabilities. Other Furnaces and Air Handlers may require an optional time delay relay (**58M81**) for field installation. See furnace or air handler specifications to determine if relay is needed.

Also see Expansion Valve Kit Usage Table.

AHRI SYSTEM MATCHES - ALL REGIONS - 018-024-030-041-042-047-048-060

NOTE - For the latest up-to-date system matches please visit the AHRI web site at <http://www.ahridirectory.org>

Model No.	Expansion Device	Capacity	SEER	EER	Coil or Air Handler	Furnace	AHRI Reference
XC14-047-230	TXV	45,000	14.70	12.20	CX34-44/48	EL195UH090XE48C	4694274
XC14-047-230	TXV	45,000	14.70	12.20	CX34-44/48	EL195UH110XE60C	4694286
XC14-047-230	TXV	45,000	14.70	12.20	CX34-44/48	EL296UH090XE48C	5647338
XC14-047-230	TXV	45,000	14.70	12.20	CX34-44/48	EL296UH090XV48C	5058612
XC14-047-230	TXV	45,000	14.50	12.20	CX34-44/48	EL296UH090XV60C	5058613
XC14-047-230	TXV	45,000	14.70	12.20	CX34-44/48	EL296UH110XE60C	5647333
XC14-047-230	TXV	45,000	14.70	12.20	CX34-44/48	EL296UH110XV60C	5058614
XC14-047-230	TXV	45,000	14.50	12.20	CX34-44/48	SL280UH090V48B	4016681
XC14-047-230	TXV	45,000	14.70	12.20	CX34-44/48	SL280UH090V60C	3869244
XC14-047-230	TXV	45,000	14.50	12.20	CX34-44/48	SL280UH090XV48B	4038655
XC14-047-230	TXV	45,000	14.70	12.20	CX34-44/48	SL280UH090XV60C	4235246
XC14-047-230	TXV	45,000	14.70	12.20	CX34-44/48	SL280UH110V60C	3869245
XC14-047-230	TXV	45,000	14.70	12.20	CX34-44/48	SL280UH110XV60C	4040445
XC14-047-230	TXV	45,000	14.70	12.20	CX34-44/48	SLP98UH090XV48C	5140468
XC14-047-230	TXV	45,000	14.50	12.20	CX34-44/48	SLP98UH090XV60C	5140469
XC14-047-230	TXV	45,000	14.70	12.20	CX34-44/48	SLP98UH110XV60C	5140470
XC14-047-230	TXV	45,000	14.20	11.70	CX34-44/48		3869246
XC14-047-230	TXV	47,000	15.70	13.00	CX34-49	EL180UH090E60C	5735976
XC14-047-230	TXV	46,500	15.70	13.00	CX34-49	EL180UH110E60C	5737802
XC14-047-230	TXV	46,500	15.70	13.00	CX34-49	EL180UH110XE60C	5738855
XC14-047-230	TXV	47,000	15.20	12.70	CX34-49	EL195UH090XE48C	4694275
XC14-047-230	TXV	47,000	15.50	12.70	CX34-49	EL195UH110XE60C	4694287
XC14-047-230	TXV	47,000	15.20	12.70	CX34-49	EL296UH090XE48C	5647339
XC14-047-230	TXV	47,000	15.20	12.70	CX34-49	EL296UH090XV48C	5058624
XC14-047-230	TXV	47,000	15.50	12.70	CX34-49	EL296UH090XV60C	5058625
XC14-047-230	TXV	47,000	15.50	12.70	CX34-49	EL296UH110XE60C	5647334
XC14-047-230	TXV	47,000	15.50	12.70	CX34-49	EL296UH110XV60C	5058626
XC14-047-230	TXV	47,000	15.70	13.00	CX34-49	SL280UH090V60C	4253856
XC14-047-230	TXV	47,000	15.70	13.00	CX34-49	SL280UH110V60C	4253857
XC14-047-230	TXV	47,000	15.20	12.70	CX34-49	SLP98UH090XV48C	5140533
XC14-047-230	TXV	47,000	15.50	12.70	CX34-49	SLP98UH090XV60C	5140534
XC14-047-230	TXV	47,000	15.50	12.70	CX34-49	SLP98UH110XV60C	5140535
XC14-047-230	TXV	45,500	15.20	12.50	CX34-50/60C	EL180UH090E60C	5735978
XC14-047-230	TXV	46,000	14.70	12.20	CX34-50/60C	EL180UH110E60C	5737803
XC14-047-230	TXV	46,000	14.70	12.20	CX34-50/60C	EL180UH110XE60C	5738857
XC14-047-230	TXV	45,500	15.00	12.50	CX34-50/60C	EL195UH090XE48C	4694276
XC14-047-230	TXV	45,500	15.00	12.50	CX34-50/60C	EL195UH110XE60C	4694288
XC14-047-230	TXV	45,500	15.00	12.50	CX34-50/60C	EL296UH090XE48C	5647340
XC14-047-230	TXV	45,500	15.00	12.50	CX34-50/60C	EL296UH110XE60C	5647289
XC14-047-230	TXV	47,000	15.70	13.00	CX34-60D	EL180UH135E60D	5746066
XC14-047-230	TXV	47,000	15.20	12.70	CX34-60D	EL195UH135XE60D	4694294
XC14-047-230	TXV	47,000	15.20	12.70	CX34-60D	EL296UH135XE60D	5647295
XC14-047-230	TXV	47,500	16.00	13.20	CX34-62C	EL180UH090E60C	5735981
XC14-047-230	TXV	47,500	16.00	13.20	CX34-62C	EL180UH110E60C	5737806
XC14-047-230	TXV	47,500	16.00	13.20	CX34-62C	EL180UH110XE60C	5738859
XC14-047-230	TXV	47,500	15.70	13.00	CX34-62C	EL195UH090XE48C	4694277
XC14-047-230	TXV	47,500	15.70	13.00	CX34-62C	EL195UH110XE60C	4694289
XC14-047-230	TXV	47,500	15.70	13.00	CX34-62C	EL296UH090XE48C	5647341
XC14-047-230	TXV	47,500	15.70	13.00	CX34-62C	EL296UH110XE60C	5647290

NOTES:

TXV = Matched with Thermostatic Expansion Valve.

RFC = Matched with RFC metering device.

AHRI certified to AHRI Standard 210/240 (with 25 ft. of connecting refrigerant lines); 95°F outdoor air temperature, 80°F db / 67°F wb entering evaporator air.

All ratings include the use of a blower time delay relay (TDR). All Lennox variable-speed furnaces and Air Handlers have time delay capabilities. Other Furnaces and Air Handlers may require an optional time delay relay (**58M81**) for field installation. See furnace or air handler specifications to determine if relay is needed.

Also see Expansion Valve Kit Usage Table.

AHRI SYSTEM MATCHES - ALL REGIONS - 018-024-030-041-042-047-048-060

NOTE - For the latest up-to-date system matches please visit the AHRI web site at <http://www.ahridirectory.org>

Model No.	Expansion Device	Capacity	SEER	EER	Coil or Air Handler	Furnace	AHRI Reference
XC14-047-230	TXV	48,000	16.00	13.00	CX34-62C	SL280UH090V60C	4253861
XC14-047-230	TXV	48,000	16.00	13.00	CX34-62C	SL280UH090XV60C	6883825
XC14-047-230	TXV	47,500	16.00	13.00	CX34-62C	SL280UH110V60C	4253862
XC14-047-230	TXV	47,500	16.00	13.00	CX34-62C	SL280UH110XV60C	6883826
XC14-047-230	TXV	47,000	14.70	12.50	CX34-62C		3869247
XC14-047-230	TXV	47,500	15.70	13.20	CX34-62D	EL180UH135E60D	5746067
XC14-047-230	TXV	47,000	15.50	12.70	CX34-62D	EL195UH135XE60D	4694295
XC14-047-230	TXV	47,000	15.50	12.70	CX34-62D	EL296UH135XE60D	5647296
XC14-047-230	TXV	46,000	15.00	12.50	CX35-48B	EL180UH090E48B	8266224
XC14-047-230	TXV	46,000	15.00	12.50	CX35-48B	EL180UH090XE48B	8266223
XC14-047-230	TXV	46,000	14.50	12.20	CX35-48B	SL280UH090V48B	8266226
XC14-047-230	TXV	46,000	14.50	12.20	CX35-48B	SL280UH090XV48B	8266225
XC14-047-230	TXV	46,500	15.10	12.50	CX35-49C	EL180UH110E60C	8266227
XC14-047-230	TXV	46,500	15.10	12.50	CX35-49C	EL180UH110XE60C	8266228
XC14-047-230	TXV	46,500	15.10	12.50	CX35-49C	EL195UH090XE48C	8266238
XC14-047-230	TXV	46,500	15.50	12.50	CX35-49C	EL195UH110XE60C	8266237
XC14-047-230	TXV	46,500	15.10	12.50	CX35-49C	EL296UH090XE48C	8266229
XC14-047-230	TXV	47,000	15.10	12.50	CX35-49C	EL296UH090XV48C	8266234
XC14-047-230	TXV	47,000	15.10	12.50	CX35-49C	EL296UH090XV60C	8266235
XC14-047-230	TXV	46,500	15.50	12.50	CX35-49C	EL296UH110XE60C	8266230
XC14-047-230	TXV	47,000	15.10	12.50	CX35-49C	EL296UH110XV60C	8266236
XC14-047-230	TXV	47,000	15.50	12.50	CX35-49C	SL280UH090V60C	8266239
XC14-047-230	TXV	47,000	15.10	12.50	CX35-49C	SL280UH110V60C	8266240
XC14-047-230	TXV	47,000	15.00	12.50	CX35-49C	SLP98UH090XV48C	8266232
XC14-047-230	TXV	47,000	15.10	12.50	CX35-49C	SLP98UH090XV60C	8266233
XC14-047-230	TXV	47,000	15.10	12.50	CX35-49C	SLP98UH110XV60C	8266231
XC14-047-230	TXV	45,500	15.10	12.50	CX35-50/60C	EL180UH090E60C	8266256
XC14-047-230	TXV	46,000	14.50	12.20	CX35-50/60C	EL180UH110E60C	8266257
XC14-047-230	TXV	46,000	14.70	12.20	CX35-50/60C	EL180UH110XE60C	8266258
XC14-047-230	TXV	45,500	15.00	12.20	CX35-50/60C	EL195UH090XE48C	8266262
XC14-047-230	TXV	45,500	15.00	12.50	CX35-50/60C	EL195UH110XE60C	8266261
XC14-047-230	TXV	45,500	15.00	12.50	CX35-50/60C	EL296UH090XE48C	8266259
XC14-047-230	TXV	45,500	15.00	12.20	CX35-50/60C	EL296UH110XE60C	8266260
XC14-047-230	TXV	47,500	16.00	13.00	CX35-60C	EL180UH090E60C	8266244
XC14-047-230	TXV	47,500	16.00	13.00	CX35-60C	EL180UH110E60C	8266245
XC14-047-230	TXV	47,500	16.00	13.00	CX35-60C	EL180UH110XE60C	8266246
XC14-047-230	TXV	47,500	15.50	12.50	CX35-60C	EL195UH090XE48C	8266250
XC14-047-230	TXV	47,500	15.50	12.50	CX35-60C	EL195UH110XE60C	8266249
XC14-047-230	TXV	47,500	15.50	12.50	CX35-60C	EL296UH090XE48C	8266247
XC14-047-230	TXV	47,500	15.50	12.50	CX35-60C	EL296UH110XE60C	8266248
XC14-047-230	TXV	48,000	16.00	13.00	CX35-60C	SL280UH090V60C	8266251
XC14-047-230	TXV	48,000	16.00	13.00	CX35-60C	SL280UH090XV60C	8266242
XC14-047-230	TXV	47,500	16.00	13.00	CX35-60C	SL280UH110V60C	8266252
XC14-047-230	TXV	47,500	16.00	13.00	CX35-60C	SL280UH110XV60C	8266243
XC14-047-230	TXV	47,000	14.50	12.20	CX35-60C		8266241
XC14-047-230	TXV	47,500	15.50	12.50	CX35-60D	EL180UH135E60D	8266253
XC14-047-230	TXV	47,000	15.50	12.50	CX35-60D	EL195UH135XE60D	8266255
XC14-047-230	TXV	47,000	15.50	12.50	CX35-60D	EL296UH135XE60D	8266254
XC14-048-230	TXV	48,000	14.25	12.00	C33-43B	EL180UH090E48B	7486752

NOTES:

TXV = Matched with Thermostatic Expansion Valve.

RFC = Matched with RFC metering device.

AHRI certified to AHRI Standard 210/240 (with 25 ft. of connecting refrigerant lines); 95°F outdoor air temperature, 80°F db / 67°F wb entering evaporator air.

All ratings include the use of a blower time delay relay (TDR). All Lennox variable-speed furnaces and Air Handlers have time delay capabilities. Other Furnaces and Air Handlers may require an optional time delay relay (**58M81**) for field installation. See furnace or air handler specifications to determine if relay is needed.

Also see Expansion Valve Kit Usage Table.

AHRI SYSTEM MATCHES - ALL REGIONS - 018-024-030-041-042-047-048-060

NOTE - For the latest up-to-date system matches please visit the AHRI web site at <http://www.ahridirectory.org>

Model No.	Expansion Device	Capacity	SEER	EER	Coil or Air Handler	Furnace	AHRI Reference
XC14-048-230	TXV	48,000	14.25	12.00	C33-43B	EL180UH090XE48B	7486753
XC14-048-230	TXV	48,000	14.50	12.00	C33-43C	EL180UH090E60C	7486762
XC14-048-230	TXV	47,500	14.50	12.00	C33-43C	EL180UH110E60C	7486763
XC14-048-230	TXV	47,500	14.50	12.00	C33-43C	EL180UH110XE60C	7486764
XC14-048-230	TXV	48,000	14.50	12.00	C33-43C	EL195UH090XE48C	7486754
XC14-048-230	TXV	48,000	14.50	12.00	C33-43C	EL195UH110XE60C	7486756
XC14-048-230	TXV	48,000	14.50	12.00	C33-43C	EL296UH090XE48C	7486755
XC14-048-230	TXV	48,000	14.25	12.00	C33-43C	EL296UH090XV48C	7486758
XC14-048-230	TXV	48,000	14.25	12.00	C33-43C	EL296UH090XV60C	7486759
XC14-048-230	TXV	48,000	14.50	12.00	C33-43C	EL296UH110XE60C	7486757
XC14-048-230	TXV	48,000	14.50	12.00	C33-43C	EL296UH110XV48C	7486760
XC14-048-230	TXV	48,000	14.25	12.00	C33-43C	EL296UH110XV60C	7486761
XC14-048-230	TXV	48,000	14.50	12.00	C33-43C	SL280UH090V60C	7486766
XC14-048-230	TXV	48,000	14.50	12.00	C33-43C	SL280UH090XV60C	7486765
XC14-048-230	TXV	48,000	14.50	12.00	C33-43C	SL280UH110V60C	7486767
XC14-048-230	TXV	48,000	14.50	12.00	C33-43C	SL280UH110XV60C	7486768
XC14-048-230	TXV	48,000	14.25	12.00	C33-43C	SLP98UH090XV48C	7486769
XC14-048-230	TXV	48,000	14.25	12.00	C33-43C	SLP98UH090XV60C	7486770
XC14-048-230	TXV	48,000	14.25	12.00	C33-43C	SLP98UH110XV60C	7486771
XC14-048-230	TXV	47,000	14.00	11.70	C33-48B	EL180UH090E48B	7486772
XC14-048-230	TXV	47,000	14.00	11.70	C33-48B	EL180UH090XE48B	7486773
XC14-048-230	TXV	46,500	14.25	11.70	C33-48C	EL180UH090E60C	7486780
XC14-048-230	TXV	47,500	14.00	11.70	C33-48C	EL180UH110E60C	7486781
XC14-048-230	TXV	47,500	14.00	11.70	C33-48C	EL180UH110XE60C	7486782
XC14-048-230	TXV	46,500	14.00	11.70	C33-48C	EL195UH090XE48C	7486774
XC14-048-230	TXV	46,500	14.00	11.70	C33-48C	EL195UH110XE60C	7486776
XC14-048-230	TXV	46,500	14.00	11.70	C33-48C	EL296UH090XE48C	7486775
XC14-048-230	TXV	47,000	14.00	11.70	C33-48C	EL296UH090XV48C	7486778
XC14-048-230	TXV	46,500	14.00	11.70	C33-48C	EL296UH110XE60C	7486777
XC14-048-230	TXV	47,000	14.00	11.70	C33-48C	EL296UH110XV48C	7486779
XC14-048-230	TXV	47,000	14.25	11.70	C33-48C	SL280UH090V60C	7486783
XC14-048-230	TXV	47,000	14.25	11.70	C33-48C	SL280UH090XV60C	7486784
XC14-048-230	TXV	47,000	14.00	11.70	C33-48C	SL280UH110V60C	7486785
XC14-048-230	TXV	47,000	14.00	11.70	C33-48C	SL280UH110XV60C	7486786
XC14-048-230	TXV	47,000	14.00	11.70	C33-48C	SLP98UH090XV48C	7486787
XC14-048-230	TXV	48,000	15.00	12.50	C33-49	EL180UH090E60C	7486797
XC14-048-230	TXV	48,000	15.00	12.00	C33-49	EL180UH110E60C	7486798
XC14-048-230	TXV	48,000	15.00	12.00	C33-49	EL180UH110XE60C	7486799
XC14-048-230	TXV	48,000	14.50	12.00	C33-49	EL195UH090XE48C	7486789
XC14-048-230	TXV	48,000	14.50	12.00	C33-49	EL195UH110XE60C	7486791
XC14-048-230	TXV	48,000	14.50	12.00	C33-49	EL296UH090XE48C	7486790
XC14-048-230	TXV	48,000	14.50	12.00	C33-49	EL296UH090XV48C	7486793
XC14-048-230	TXV	48,000	14.50	12.00	C33-49	EL296UH090XV60C	7486794
XC14-048-230	TXV	48,000	14.50	12.00	C33-49	EL296UH110XE60C	7486792
XC14-048-230	TXV	48,000	14.50	12.00	C33-49	EL296UH110XV48C	7486795
XC14-048-230	TXV	48,000	14.50	12.00	C33-49	EL296UH110XV60C	7486796
XC14-048-230	TXV	48,000	15.00	12.50	C33-49	SL280UH090V60C	7486800
XC14-048-230	TXV	48,000	15.00	12.50	C33-49	SL280UH090XV60C	7486801
XC14-048-230	TXV	48,000	15.00	12.50	C33-49	SL280UH110V60C	7486802

NOTES:

TXV = Matched with Thermostatic Expansion Valve.

RFC = Matched with RFC metering device.

AHRI certified to AHRI Standard 210/240 (with 25 ft. of connecting refrigerant lines); 95°F outdoor air temperature, 80°F db / 67°F wb entering evaporator air. All ratings include the use of a blower time delay relay (TDR). All Lennox variable-speed furnaces and Air Handlers have time delay capabilities. Other Furnaces and Air Handlers may require an optional time delay relay (**58M81**) for field installation. See furnace or air handler specifications to determine if relay is needed.

Also see Expansion Valve Kit Usage Table.

AHRI SYSTEM MATCHES - ALL REGIONS - 018-024-030-041-042-047-048-060

NOTE - For the latest up-to-date system matches please visit the AHRI web site at <http://www.ahridirectory.org>

Model No.	Expansion Device	Capacity	SEER	EER	Coil or Air Handler	Furnace	AHRI Reference
XC14-048-230	TXV	48,000	15.00	12.50	C33-49	SL280UH110XV60C	7486803
XC14-048-230	TXV	48,000	14.50	12.00	C33-49	SLP98UH090XV48C	7486804
XC14-048-230	TXV	48,000	14.50	12.00	C33-49	SLP98UH090XV60C	7486805
XC14-048-230	TXV	48,000	14.50	12.00	C33-49	SLP98UH110XV60C	7486806
XC14-048-230	TXV	48,000	14.00	11.70	C33-49		7486788
XC14-048-230	TXV	47,500	14.50	12.00	C33-50/60C	EL180UH090E60C	7486815
XC14-048-230	TXV	48,000	14.00	11.70	C33-50/60C	EL180UH110E60C	7486816
XC14-048-230	TXV	48,000	14.00	11.70	C33-50/60C	EL180UH110XE60C	7486817
XC14-048-230	TXV	47,500	14.25	12.00	C33-50/60C	EL195UH090XE48C	7486807
XC14-048-230	TXV	47,500	14.25	12.00	C33-50/60C	EL195UH110XE60C	7486809
XC14-048-230	TXV	47,500	14.25	12.00	C33-50/60C	EL296UH090XE48C	7486808
XC14-048-230	TXV	47,500	14.00	11.70	C33-50/60C	EL296UH090XV48C	7486811
XC14-048-230	TXV	47,500	14.00	11.70	C33-50/60C	EL296UH090XV60C	7486812
XC14-048-230	TXV	47,500	14.25	12.00	C33-50/60C	EL296UH110XE60C	7486810
XC14-048-230	TXV	47,500	14.25	11.70	C33-50/60C	EL296UH110XV48C	7486813
XC14-048-230	TXV	47,500	14.00	11.70	C33-50/60C	EL296UH110XV60C	7486814
XC14-048-230	TXV	47,500	14.25	12.00	C33-50/60C	SL280UH090V60C	7486818
XC14-048-230	TXV	47,500	14.25	12.00	C33-50/60C	SL280UH090XV60C	7486819
XC14-048-230	TXV	47,500	14.25	12.00	C33-50/60C	SL280UH110V60C	7486820
XC14-048-230	TXV	47,500	14.25	12.00	C33-50/60C	SL280UH110XV60C	7486821
XC14-048-230	TXV	47,500	14.00	11.70	C33-50/60C	SLP98UH090XV48C	7486822
XC14-048-230	TXV	47,500	14.00	11.70	C33-50/60C	SLP98UH090XV60C	7486823
XC14-048-230	TXV	47,500	14.00	11.70	C33-50/60C	SLP98UH110XV60C	7486824
XC14-048-230	TXV	48,000	14.50	12.50	C33-60D	EL180UH135E60D	7486829
XC14-048-230	TXV	48,000	14.50	12.00	C33-60D	EL195UH135XE60D	7486826
XC14-048-230	TXV	48,000	14.50	12.00	C33-60D	EL296UH135XE60D	7486827
XC14-048-230	TXV	48,000	14.50	12.00	C33-60D	EL296UH135XV60D	7486828
XC14-048-230	TXV	48,000	15.00	12.50	C33-60D	SL280UH135V60D	7486830
XC14-048-230	TXV	48,000	14.50	12.00	C33-60D	SLP98UH135XV60D	7486831
XC14-048-230	TXV	48,000	14.00	11.70	C33-60D		7486825
XC14-048-230	TXV	48,000	15.10	12.50	C33-62C	EL180UH090E60C	7486841
XC14-048-230	TXV	48,000	15.00	12.50	C33-62C	EL180UH110E60C	7486842
XC14-048-230	TXV	48,000	15.00	12.50	C33-62C	EL180UH110XE60C	7486843
XC14-048-230	TXV	48,000	14.50	12.50	C33-62C	EL195UH090XE48C	7486833
XC14-048-230	TXV	48,000	15.00	12.50	C33-62C	EL195UH110XE60C	7486835
XC14-048-230	TXV	48,000	14.50	12.50	C33-62C	EL296UH090XE48C	7486834
XC14-048-230	TXV	48,000	14.50	12.00	C33-62C	EL296UH090XV48C	7486837
XC14-048-230	TXV	48,000	14.50	12.00	C33-62C	EL296UH090XV60C	7486838
XC14-048-230	TXV	48,000	15.00	12.50	C33-62C	EL296UH110XE60C	7486836
XC14-048-230	TXV	48,000	15.00	12.50	C33-62C	EL296UH110XV48C	7486839
XC14-048-230	TXV	48,000	14.50	12.50	C33-62C	EL296UH110XV60C	7486840
XC14-048-230	TXV	48,000	15.10	12.50	C33-62C	SL280UH090V60C	7486844
XC14-048-230	TXV	48,000	15.10	12.50	C33-62C	SL280UH090XV60C	7486845
XC14-048-230	TXV	48,000	15.00	12.50	C33-62C	SL280UH110V60C	7486846
XC14-048-230	TXV	48,000	15.00	12.50	C33-62C	SL280UH110XV60C	7486847
XC14-048-230	TXV	48,000	14.50	12.00	C33-62C	SLP98UH090XV48C	7486848
XC14-048-230	TXV	48,000	14.50	12.00	C33-62C	SLP98UH090XV60C	7486849
XC14-048-230	TXV	48,000	14.50	12.50	C33-62C	SLP98UH110XV60C	7486850
XC14-048-230	TXV	48,000	14.25	12.00	C33-62C		7486832

NOTES:

TXV = Matched with Thermostatic Expansion Valve.

RFC = Matched with RFC metering device.

AHRI certified to AHRI Standard 210/240 (with 25 ft. of connecting refrigerant lines); 95°F outdoor air temperature, 80°F db / 67°F wb entering evaporator air.

All ratings include the use of a blower time delay relay (TDR). All Lennox variable-speed furnaces and Air Handlers have time delay capabilities. Other Furnaces and Air Handlers may require an optional time delay relay (**58M81**) for field installation. See furnace or air handler specifications to determine if relay is needed.

Also see Expansion Valve Kit Usage Table.

AHRI SYSTEM MATCHES - ALL REGIONS - 018-024-030-041-042-047-048-060

NOTE - For the latest up-to-date system matches please visit the AHRI web site at <http://www.ahridirectory.org>

Model No.	Expansion Device	Capacity	SEER	EER	Coil or Air Handler	Furnace	AHRI Reference
XC14-048-230	TXV	48,000	15.00	12.50	C33-62D	EL180UH135E60D	7486855
XC14-048-230	TXV	48,000	14.25	12.00	C33-62D	EL195UH135XE60D	7486852
XC14-048-230	TXV	48,000	14.25	12.00	C33-62D	EL296UH135XE60D	7486853
XC14-048-230	TXV	48,000	14.50	12.00	C33-62D	EL296UH135XV60D	7486854
XC14-048-230	TXV	48,000	15.00	12.50	C33-62D	SL280UH135V60D	7486856
XC14-048-230	TXV	48,000	14.50	12.00	C33-62D	SLP98UH135XV60D	7486857
XC14-048-230	TXV	48,000	14.00	11.70	C33-62D		7486851
XC14-048-230	TXV	48,000	14.25	12.00	C35-48B	EL180UH090E48B	8266264
XC14-048-230	TXV	48,000	14.25	12.00	C35-48B	EL180UH090XE48B	8266263
XC14-048-230	TXV	48,000	14.50	12.00	C35-48C	EL180UH090E60C	8266275
XC14-048-230	TXV	47,500	14.50	12.00	C35-48C	EL180UH110E60C	8266276
XC14-048-230	TXV	47,500	14.50	12.00	C35-48C	EL180UH110XE60C	8266277
XC14-048-230	TXV	48,000	14.50	12.00	C35-48C	EL195UH090XE48C	8266278
XC14-048-230	TXV	48,000	14.50	12.00	C35-48C	EL195UH110XE60C	8266280
XC14-048-230	TXV	48,000	14.50	12.00	C35-48C	EL296UH090XE48C	8266279
XC14-048-230	TXV	48,000	14.00	12.00	C35-48C	EL296UH090XV48C	8266282
XC14-048-230	TXV	48,000	14.00	12.00	C35-48C	EL296UH090XV60C	8266272
XC14-048-230	TXV	48,000	14.50	12.00	C35-48C	EL296UH110XE60C	8266281
XC14-048-230	TXV	48,000	14.50	12.00	C35-48C	EL296UH110XV48C	8266273
XC14-048-230	TXV	48,000	14.00	12.00	C35-48C	EL296UH110XV60C	8266274
XC14-048-230	TXV	48,000	14.50	12.00	C35-48C	SL280UH090V60C	8266267
XC14-048-230	TXV	48,000	14.50	12.00	C35-48C	SL280UH090XV60C	8266266
XC14-048-230	TXV	48,000	14.50	12.00	C35-48C	SL280UH110V60C	8266268
XC14-048-230	TXV	48,000	14.50	12.00	C35-48C	SL280UH110XV60C	8266269
XC14-048-230	TXV	48,000	14.00	12.00	C35-48C	SLP98UH090XV48C	8266270
XC14-048-230	TXV	48,000	14.00	12.00	C35-48C	SLP98UH090XV60C	8266271
XC14-048-230	TXV	48,000	14.25	12.00	C35-48C	SLP98UH110XV60C	8266265
XC14-048-230	TXV	48,000	15.00	12.50	C35-49C	EL180UH090E60C	8266290
XC14-048-230	TXV	48,000	14.00	12.00	C35-49C	EL180UH110E60C	8266291
XC14-048-230	TXV	48,000	14.00	12.00	C35-49C	EL180UH110XE60C	8266292
XC14-048-230	TXV	48,000	14.50	12.00	C35-49C	EL195UH090XE48C	8266301
XC14-048-230	TXV	48,000	14.50	12.00	C35-49C	EL195UH110XE60C	8266296
XC14-048-230	TXV	48,000	14.50	12.00	C35-49C	EL296UH090XE48C	8266295
XC14-048-230	TXV	48,000	14.50	12.00	C35-49C	EL296UH090XV48C	8266298
XC14-048-230	TXV	48,000	14.50	12.00	C35-49C	EL296UH090XV60C	8266299
XC14-048-230	TXV	48,000	14.50	12.00	C35-49C	EL296UH110XE60C	8266297
XC14-048-230	TXV	48,000	14.50	12.00	C35-49C	EL296UH110XV48C	8266300
XC14-048-230	TXV	48,000	14.50	12.00	C35-49C	EL296UH110XV60C	8266289
XC14-048-230	TXV	48,000	15.00	12.50	C35-49C	SL280UH090V60C	8266293
XC14-048-230	TXV	48,000	15.00	12.50	C35-49C	SL280UH090XV60C	8266294
XC14-048-230	TXV	48,000	15.00	12.50	C35-49C	SL280UH110V60C	8266284
XC14-048-230	TXV	48,000	15.00	12.50	C35-49C	SL280UH110XV60C	8266285
XC14-048-230	TXV	48,000	14.50	12.00	C35-49C	SLP98UH090XV48C	8266286
XC14-048-230	TXV	48,000	14.50	12.00	C35-49C	SLP98UH090XV60C	8266287
XC14-048-230	TXV	48,000	14.50	12.00	C35-49C	SLP98UH110XV60C	8266288
XC14-048-230	TXV	48,000	14.00	11.70	C35-49C		8266283
XC14-048-230	TXV	47,500	14.50	12.00	C35-50/60C	EL180UH090E60C	8266308
XC14-048-230	TXV	48,000	14.00	11.70	C35-50/60C	EL180UH110E60C	8266309
XC14-048-230	TXV	48,000	14.00	11.70	C35-50/60C	EL180UH110XE60C	8266310

NOTES:

TXV = Matched with Thermostatic Expansion Valve.

RFC = Matched with RFC metering device.

AHRI certified to AHRI Standard 210/240 (with 25 ft. of connecting refrigerant lines); 95°F outdoor air temperature, 80°F db / 67°F wb entering evaporator air. All ratings include the use of a blower time delay relay (TDR). All Lennox variable-speed furnaces and Air Handlers have time delay capabilities. Other Furnaces and Air Handlers may require an optional time delay relay (**58M81**) for field installation. See furnace or air handler specifications to determine if relay is needed.

Also see Expansion Valve Kit Usage Table.

AHRI SYSTEM MATCHES - ALL REGIONS - 018-024-030-041-042-047-048-060

NOTE - For the latest up-to-date system matches please visit the AHRI web site at <http://www.ahridirectory.org>

Model No.	Expansion Device	Capacity	SEER	EER	Coil or Air Handler	Furnace	AHRI Reference
XC14-048-230	TXV	47,500	14.25	12.00	C35-50/60C	EL195UH090XE48C	8266319
XC14-048-230	TXV	47,500	14.25	12.00	C35-50/60C	EL195UH110XE60C	8266314
XC14-048-230	TXV	47,500	14.25	12.00	C35-50/60C	EL296UH090XE48C	8266313
XC14-048-230	TXV	47,500	14.00	11.70	C35-50/60C	EL296UH090XV48C	8266316
XC14-048-230	TXV	47,500	14.00	11.70	C35-50/60C	EL296UH090XV60C	8266317
XC14-048-230	TXV	47,500	14.25	12.00	C35-50/60C	EL296UH110XE60C	8266315
XC14-048-230	TXV	47,500	14.25	11.70	C35-50/60C	EL296UH110XV48C	8266318
XC14-048-230	TXV	47,500	14.00	11.70	C35-50/60C	EL296UH110XV60C	8266307
XC14-048-230	TXV	47,500	14.25	12.00	C35-50/60C	SL280UH090V60C	8266311
XC14-048-230	TXV	47,500	14.25	12.00	C35-50/60C	SL280UH090XV60C	8266312
XC14-048-230	TXV	47,500	14.25	12.00	C35-50/60C	SL280UH110V60C	8266302
XC14-048-230	TXV	47,500	14.25	12.00	C35-50/60C	SL280UH110XV60C	8266303
XC14-048-230	TXV	47,500	14.00	11.70	C35-50/60C	SLP98UH090XV48C	8266304
XC14-048-230	TXV	47,500	14.00	11.70	C35-50/60C	SLP98UH090XV60C	8266305
XC14-048-230	TXV	47,500	14.00	11.70	C35-50/60C	SLP98UH110XV60C	8266306
XC14-048-230	TXV	48,000	15.10	12.50	C35-60C	EL180UH090E60C	8266327
XC14-048-230	TXV	48,000	15.00	12.50	C35-60C	EL180UH110E60C	8266328
XC14-048-230	TXV	48,000	15.00	12.50	C35-60C	EL180UH110XE60C	8266329
XC14-048-230	TXV	48,000	14.50	12.50	C35-60C	EL195UH090XE48C	8266338
XC14-048-230	TXV	48,000	15.00	12.50	C35-60C	EL195UH110XE60C	8266333
XC14-048-230	TXV	48,000	14.50	12.50	C35-60C	EL296UH090XE48C	8266332
XC14-048-230	TXV	48,000	14.50	12.00	C35-60C	EL296UH090XV48C	8266335
XC14-048-230	TXV	48,000	14.50	12.00	C35-60C	EL296UH090XV60C	8266336
XC14-048-230	TXV	48,000	15.00	12.50	C35-60C	EL296UH110XE60C	8266334
XC14-048-230	TXV	48,000	15.00	12.50	C35-60C	EL296UH110XV48C	8266337
XC14-048-230	TXV	48,000	14.50	12.50	C35-60C	EL296UH110XV60C	8266326
XC14-048-230	TXV	48,000	15.10	12.50	C35-60C	SL280UH090V60C	8266330
XC14-048-230	TXV	48,000	15.10	12.50	C35-60C	SL280UH090XV60C	8266331
XC14-048-230	TXV	48,000	15.00	12.50	C35-60C	SL280UH110V60C	8266321
XC14-048-230	TXV	48,000	15.00	12.50	C35-60C	SL280UH110XV60C	8266322
XC14-048-230	TXV	48,000	14.50	12.00	C35-60C	SLP98UH090XV48C	8266323
XC14-048-230	TXV	48,000	14.50	12.00	C35-60C	SLP98UH090XV60C	8266324
XC14-048-230	TXV	48,000	14.50	12.50	C35-60C	SLP98UH110XV60C	8266325
XC14-048-230	TXV	48,000	14.00	11.70	C35-60C		8266320
XC14-048-230	TXV	48,000	15.00	12.50	C35-60D	EL180UH135E60D	8266342
XC14-048-230	TXV	48,000	14.25	12.00	C35-60D	EL195UH135XE60D	8266345
XC14-048-230	TXV	48,000	14.25	12.00	C35-60D	EL296UH135XE60D	8266340
XC14-048-230	TXV	48,000	14.50	12.00	C35-60D	EL296UH135XV60D	8266341
XC14-048-230	TXV	48,000	15.00	12.50	C35-60D	SL280UH135V60D	8266343
XC14-048-230	TXV	48,000	14.50	12.00	C35-60D	SLP98UH135XV60D	8266344
XC14-048-230	TXV	48,000	14.00	11.70	C35-60D		8266339
XC14-048-230	TXV	48,000	14.50	12.00	CBX25UH-048		7486858
XC14-048-230	TXV	48,000	14.50	12.50	CBX25UHV-048		7486859
XC14-048-230	TXV	48,000	14.50	12.00	CBX27UH-048		7486860
XC14-048-230	TXV	48,000	15.00	12.50	CBX27UH-060		7486861
XC14-048-230	TXV	48,000	14.25	12.00	CBX32M-048		7486862
XC14-048-230	TXV	48,000	14.25	12.00	CBX32M-060		7486863
XC14-048-230	TXV	48,000	14.25	12.00	CBX32MV-048		7486864
XC14-048-230	TXV	48,000	14.50	12.00	CBX32MV-060		7486865

NOTES:

TXV = Matched with Thermostatic Expansion Valve.

RFC = Matched with RFC metering device.

AHRI certified to AHRI Standard 210/240 (with 25 ft. of connecting refrigerant lines); 95°F outdoor air temperature, 80°F db / 67°F wb entering evaporator air.

All ratings include the use of a blower time delay relay (TDR). All Lennox variable-speed furnaces and Air Handlers have time delay capabilities. Other Furnaces and Air Handlers may require an optional time delay relay (**58M81**) for field installation. See furnace or air handler specifications to determine if relay is needed.

Also see Expansion Valve Kit Usage Table.

AHRI SYSTEM MATCHES - ALL REGIONS - 018-024-030-041-042-047-048-060

NOTE - For the latest up-to-date system matches please visit the AHRI web site at <http://www.ahridirectory.org>

Model No.	Expansion Device	Capacity	SEER	EER	Coil or Air Handler	Furnace	AHRI Reference
XC14-048-230	TXV	47,500	14.50	12.00	CBX40UHV-048		7486866
XC14-048-230	TXV	48,000	14.50	12.00	CBX40UHV-060		7486867
XC14-048-230	TXV	46,000	14.00	11.70	CH23-51	EL180UH090E48B	7486868
XC14-048-230	TXV	45,500	14.00	11.70	CH23-51	EL180UH110E60C	7486869
XC14-048-230	TXV	45,500	14.00	11.70	CH23-51	EL180UH110XE60C	7486870
XC14-048-230	TXV	47,000	14.25	11.70	CH23-65	EL180UH090E48B	7486871
XC14-048-230	TXV	47,000	14.50	12.00	CH23-65	EL180UH090E60C	7486873
XC14-048-230	TXV	47,000	14.25	11.70	CH23-65	EL180UH090XE48B	7486872
XC14-048-230	TXV	46,500	14.50	12.00	CH23-65	EL180UH110E60C	7486874
XC14-048-230	TXV	46,500	14.50	12.00	CH23-65	EL180UH110XE60C	7486875
XC14-048-230	TXV	48,000	15.00	12.50	CH23-68	EL180UH135E60D	7486879
XC14-048-230	TXV	48,000	14.50	12.00	CH23-68	EL195UH135XE60D	7486877
XC14-048-230	TXV	48,000	14.50	12.00	CH23-68	EL296UH135XE60D	7486878
XC14-048-230	TXV	48,000	14.00	11.70	CH23-68		7486876
XC14-048-230	TXV	48,000	14.50	12.00	CH33-43B	EL180UH090E48B	7486880
XC14-048-230	TXV	48,000	14.50	12.00	CH33-43B	EL180UH090XE48B	7486881
XC14-048-230	TXV	48,000	14.50	12.00	CH33-43C	EL180UH090E60C	7486890
XC14-048-230	TXV	48,000	14.25	12.00	CH33-43C	EL180UH110E60C	7486891
XC14-048-230	TXV	48,000	14.25	12.00	CH33-43C	EL180UH110XE60C	7486892
XC14-048-230	TXV	47,500	14.25	12.00	CH33-43C	EL195UH090XE48C	7486882
XC14-048-230	TXV	48,000	14.50	12.00	CH33-43C	EL195UH110XE60C	7486884
XC14-048-230	TXV	47,500	14.25	12.00	CH33-43C	EL296UH090XE48C	7486883
XC14-048-230	TXV	48,000	14.25	12.00	CH33-43C	EL296UH090XV48C	7486886
XC14-048-230	TXV	48,000	14.25	11.70	CH33-43C	EL296UH090XV60C	7486887
XC14-048-230	TXV	48,000	14.50	12.00	CH33-43C	EL296UH110XE60C	7486885
XC14-048-230	TXV	48,000	14.25	12.00	CH33-43C	EL296UH110XV48C	7486888
XC14-048-230	TXV	48,000	14.25	12.00	CH33-43C	EL296UH110XV60C	7486889
XC14-048-230	TXV	48,000	14.50	12.00	CH33-43C	SL280UH090V60C	7486893
XC14-048-230	TXV	48,000	14.50	12.00	CH33-43C	SL280UH090XV60C	7486894
XC14-048-230	TXV	48,000	14.50	12.00	CH33-43C	SL280UH110V60C	7486895
XC14-048-230	TXV	48,000	14.50	12.00	CH33-43C	SL280UH110XV60C	7486896
XC14-048-230	TXV	48,000	14.25	12.00	CH33-43C	SLP98UH090XV48C	7486897
XC14-048-230	TXV	48,000	14.25	11.70	CH33-43C	SLP98UH090XV60C	7486898
XC14-048-230	TXV	48,000	14.25	12.00	CH33-43C	SLP98UH110XV60C	7486899
XC14-048-230	TXV	47,000	14.00	11.70	CH33-44/48B	EL180UH090E48B	7486900
XC14-048-230	TXV	47,000	14.00	11.70	CH33-44/48B	EL180UH090XE48B	7486901
XC14-048-230	TXV	47,500	14.50	12.00	CH33-48C	EL180UH090E60C	7486910
XC14-048-230	TXV	48,000	14.00	12.00	CH33-48C	EL180UH110E60C	7486911
XC14-048-230	TXV	48,000	14.00	12.00	CH33-48C	EL180UH110XE60C	7486912
XC14-048-230	TXV	47,500	14.00	12.00	CH33-48C	EL195UH090XE48C	7486902
XC14-048-230	TXV	47,500	14.00	12.00	CH33-48C	EL195UH110XE60C	7486904
XC14-048-230	TXV	47,500	14.00	12.00	CH33-48C	EL296UH090XE48C	7486903
XC14-048-230	TXV	47,500	14.00	11.70	CH33-48C	EL296UH090XV48C	7486906
XC14-048-230	TXV	47,500	14.00	11.70	CH33-48C	EL296UH090XV60C	7486907
XC14-048-230	TXV	47,500	14.00	12.00	CH33-48C	EL296UH110XE60C	7486905
XC14-048-230	TXV	47,500	14.25	11.70	CH33-48C	EL296UH110XV48C	7486908
XC14-048-230	TXV	47,500	14.00	11.70	CH33-48C	EL296UH110XV60C	7486909
XC14-048-230	TXV	48,000	14.25	12.00	CH33-48C	SL280UH090V60C	7486913
XC14-048-230	TXV	48,000	14.25	12.00	CH33-48C	SL280UH090XV60C	7486914

NOTES:

TXV = Matched with Thermostatic Expansion Valve.

RFC = Matched with RFC metering device.

AHRI certified to AHRI Standard 210/240 (with 25 ft. of connecting refrigerant lines); 95°F outdoor air temperature, 80°F db / 67°F wb entering evaporator air. All ratings include the use of a blower time delay relay (TDR). All Lennox variable-speed furnaces and Air Handlers have time delay capabilities. Other Furnaces and Air Handlers may require an optional time delay relay (**58M81**) for field installation. See furnace or air handler specifications to determine if relay is needed.

Also see Expansion Valve Kit Usage Table.

AHRI SYSTEM MATCHES - ALL REGIONS - 018-024-030-041-042-047-048-060

NOTE - For the latest up-to-date system matches please visit the AHRI web site at <http://www.ahridirectory.org>

Model No.	Expansion Device	Capacity	SEER	EER	Coil or Air Handler	Furnace	AHRI Reference
XC14-048-230	TXV	47,500	14.25	12.00	CH33-48C	SL280UH110V60C	7486915
XC14-048-230	TXV	47,500	14.25	12.00	CH33-48C	SL280UH110XV60C	7486916
XC14-048-230	TXV	47,500	14.00	11.70	CH33-48C	SLP98UH090XV48C	7486917
XC14-048-230	TXV	47,500	14.00	11.70	CH33-48C	SLP98UH090XV60C	7486918
XC14-048-230	TXV	47,500	14.00	11.70	CH33-48C	SLP98UH110XV60C	7486919
XC14-048-230	TXV	48,000	14.50	12.00	CH33-49	EL180UH090E60C	7486929
XC14-048-230	TXV	48,000	14.50	12.00	CH33-49	EL180UH110E60C	7486930
XC14-048-230	TXV	48,000	14.50	12.00	CH33-49	EL180UH110XE60C	7486931
XC14-048-230	TXV	48,000	14.50	12.00	CH33-49	EL195UH090XE48C	7486921
XC14-048-230	TXV	48,000	14.50	12.00	CH33-49	EL195UH110XE60C	7486923
XC14-048-230	TXV	48,000	14.50	12.00	CH33-49	EL296UH090XE48C	7486922
XC14-048-230	TXV	48,000	14.50	12.00	CH33-49	EL296UH090XV48C	7486925
XC14-048-230	TXV	48,000	14.25	12.00	CH33-49	EL296UH090XV60C	7486926
XC14-048-230	TXV	48,000	14.50	12.00	CH33-49	EL296UH110XE60C	7486924
XC14-048-230	TXV	48,000	14.50	12.00	CH33-49	EL296UH110XV48C	7486927
XC14-048-230	TXV	48,000	14.25	12.00	CH33-49	EL296UH110XV60C	7486928
XC14-048-230	TXV	48,000	14.50	12.00	CH33-49	SL280UH090V60C	7486932
XC14-048-230	TXV	48,000	14.50	12.00	CH33-49	SL280UH090XV60C	7486933
XC14-048-230	TXV	48,000	14.50	12.00	CH33-49	SL280UH110V60C	7486934
XC14-048-230	TXV	48,000	14.50	12.00	CH33-49	SL280UH110XV60C	7486935
XC14-048-230	TXV	48,000	14.50	12.00	CH33-49	SLP98UH090XV48C	7486936
XC14-048-230	TXV	48,000	14.25	12.00	CH33-49	SLP98UH090XV60C	7486937
XC14-048-230	TXV	48,000	14.25	12.00	CH33-49	SLP98UH110XV60C	7486938
XC14-048-230	TXV	48,000	14.00	11.70	CH33-49		7486920
XC14-048-230	TXV	48,000	14.50	12.00	CH33-50/60C	EL180UH090E60C	7486948
XC14-048-230	TXV	48,000	14.25	12.00	CH33-50/60C	EL180UH110E60C	7486949
XC14-048-230	TXV	48,000	14.25	12.00	CH33-50/60C	EL180UH110XE60C	7486950
XC14-048-230	TXV	48,000	14.50	12.00	CH33-50/60C	EL195UH090XE48C	7486940
XC14-048-230	TXV	48,000	14.50	12.00	CH33-50/60C	EL195UH110XE60C	7486942
XC14-048-230	TXV	48,000	14.50	12.00	CH33-50/60C	EL296UH090XE48C	7486941
XC14-048-230	TXV	48,000	14.25	12.00	CH33-50/60C	EL296UH090XV48C	7486944
XC14-048-230	TXV	48,000	14.25	12.00	CH33-50/60C	EL296UH090XV60C	7486945
XC14-048-230	TXV	48,000	14.50	12.00	CH33-50/60C	EL296UH110XE60C	7486943
XC14-048-230	TXV	48,000	14.50	12.00	CH33-50/60C	EL296UH110XV48C	7486946
XC14-048-230	TXV	48,000	14.25	12.00	CH33-50/60C	EL296UH110XV60C	7486947
XC14-048-230	TXV	48,000	14.50	12.00	CH33-50/60C	SL280UH090V60C	7486951
XC14-048-230	TXV	48,000	14.50	12.00	CH33-50/60C	SL280UH090XV60C	7486952
XC14-048-230	TXV	48,000	14.50	12.00	CH33-50/60C	SL280UH110V60C	7486953
XC14-048-230	TXV	48,000	14.50	12.00	CH33-50/60C	SL280UH110XV60C	7486954
XC14-048-230	TXV	48,000	14.25	12.00	CH33-50/60C	SLP98UH090XV48C	7486955
XC14-048-230	TXV	48,000	14.25	12.00	CH33-50/60C	SLP98UH090XV60C	7486956
XC14-048-230	TXV	48,000	14.25	12.00	CH33-50/60C	SLP98UH110XV60C	7486957
XC14-048-230	TXV	48,000	14.00	11.70	CH33-50/60C		7486939
XC14-048-230	TXV	48,000	15.00	12.50	CH33-60D	EL180UH135E60D	7486961
XC14-048-230	TXV	48,000	14.25	12.00	CH33-60D	EL195UH135XE60D	7486958
XC14-048-230	TXV	48,000	14.25	12.00	CH33-60D	EL296UH135XE60D	7486959
XC14-048-230	TXV	48,000	14.50	12.00	CH33-60D	EL296UH135XV60D	7486960
XC14-048-230	TXV	48,000	14.50	12.00	CH33-60D	SL280UH135V60D	7486962
XC14-048-230	TXV	48,000	14.50	12.00	CH33-60D	SLP98UH135XV60D	7486963

NOTES:

TXV = Matched with Thermostatic Expansion Valve.

RFC = Matched with RFC metering device.

AHRI certified to AHRI Standard 210/240 (with 25 ft. of connecting refrigerant lines); 95°F outdoor air temperature, 80°F db / 67°F wb entering evaporator air.

All ratings include the use of a blower time delay relay (TDR). All Lennox variable-speed furnaces and Air Handlers have time delay capabilities. Other Furnaces and Air Handlers may require an optional time delay relay (**58M81**) for field installation. See furnace or air handler specifications to determine if relay is needed.

Also see Expansion Valve Kit Usage Table.

AHRI SYSTEM MATCHES - ALL REGIONS - 018-024-030-041-042-047-048-060

NOTE - For the latest up-to-date system matches please visit the AHRI web site at <http://www.ahridirectory.org>

Model No.	Expansion Device	Capacity	SEER	EER	Coil or Air Handler	Furnace	AHRI Reference
XC14-048-230	TXV	48,000	15.00	12.50	CH33-62D	EL180UH135E60D	7486968
XC14-048-230	TXV	48,000	14.50	12.00	CH33-62D	EL195UH135XE60D	7486965
XC14-048-230	TXV	48,000	14.50	12.00	CH33-62D	EL296UH135XE60D	7486966
XC14-048-230	TXV	48,000	14.50	12.00	CH33-62D	EL296UH135XV60D	7486967
XC14-048-230	TXV	48,000	15.00	12.50	CH33-62D	SL280UH135V60D	7486969
XC14-048-230	TXV	48,000	14.50	12.00	CH33-62D	SLP98UH135XV60D	7486970
XC14-048-230	TXV	48,000	14.00	11.70	CH33-62D		7486964
XC14-048-230	TXV	48,000	14.50	12.00	CH35-42B	EL180UH090E48B	7486971
XC14-048-230	TXV	48,000	14.50	12.00	CH35-42B	EL180UH090XE48B	7486972
XC14-048-230	TXV	48,000	14.50	12.00	CH35-42C	EL180UH090E60C	7486981
XC14-048-230	TXV	48,000	14.25	12.00	CH35-42C	EL180UH110E60C	7486982
XC14-048-230	TXV	48,000	14.25	12.00	CH35-42C	EL180UH110XE60C	7486983
XC14-048-230	TXV	48,000	14.25	12.00	CH35-42C	EL195UH090XE48C	7486973
XC14-048-230	TXV	48,000	14.50	12.00	CH35-42C	EL195UH110XE60C	7486975
XC14-048-230	TXV	48,000	14.25	12.00	CH35-42C	EL296UH090XE48C	7486974
XC14-048-230	TXV	48,000	14.25	11.70	CH35-42C	EL296UH090XV48C	7486977
XC14-048-230	TXV	48,000	14.25	12.00	CH35-42C	EL296UH090XV60C	7486978
XC14-048-230	TXV	48,000	14.50	12.00	CH35-42C	EL296UH110XE60C	7486976
XC14-048-230	TXV	48,000	14.25	12.00	CH35-42C	EL296UH110XV48C	7486979
XC14-048-230	TXV	48,000	14.25	12.00	CH35-42C	EL296UH110XV60C	7486980
XC14-048-230	TXV	48,000	14.50	12.00	CH35-42C	SL280UH090V60C	7486984
XC14-048-230	TXV	48,000	14.50	12.00	CH35-42C	SL280UH090XV60C	7486985
XC14-048-230	TXV	48,000	14.50	12.00	CH35-42C	SL280UH110V60C	7486986
XC14-048-230	TXV	48,000	14.50	12.00	CH35-42C	SL280UH110XV60C	7486987
XC14-048-230	TXV	48,000	14.25	11.70	CH35-42C	SLP98UH090XV48C	7486988
XC14-048-230	TXV	48,000	14.25	12.00	CH35-42C	SLP98UH090XV60C	7486989
XC14-048-230	TXV	48,000	14.25	12.00	CH35-42C	SLP98UH110XV60C	7486990
XC14-048-230	TXV	47,500	14.25	11.70	CH35-48B	EL180UH090E48B	7486991
XC14-048-230	TXV	47,500	14.25	11.70	CH35-48B	EL180UH090XE48B	7486992
XC14-048-230	TXV	48,000	14.50	12.00	CH35-48C	EL180UH090E60C	7487001
XC14-048-230	TXV	48,000	14.25	11.70	CH35-48C	EL180UH110E60C	7487002
XC14-048-230	TXV	48,000	14.25	11.70	CH35-48C	EL180UH110XE60C	7487003
XC14-048-230	TXV	48,000	14.00	12.00	CH35-48C	EL195UH090XE48C	7486993
XC14-048-230	TXV	48,000	14.00	12.00	CH35-48C	EL195UH110XE60C	7486995
XC14-048-230	TXV	48,000	14.00	12.00	CH35-48C	EL296UH090XE48C	7486994
XC14-048-230	TXV	48,000	14.25	12.00	CH35-48C	EL296UH090XV48C	7486997
XC14-048-230	TXV	48,000	14.25	11.70	CH35-48C	EL296UH090XV60C	7486998
XC14-048-230	TXV	48,000	14.00	12.00	CH35-48C	EL296UH110XE60C	7486996
XC14-048-230	TXV	48,000	14.25	12.00	CH35-48C	EL296UH110XV48C	7486999
XC14-048-230	TXV	48,000	14.25	12.00	CH35-48C	EL296UH110XV60C	7487000
XC14-048-230	TXV	48,000	14.50	12.00	CH35-48C	SL280UH090V60C	7487004
XC14-048-230	TXV	48,000	14.50	12.00	CH35-48C	SL280UH090XV60C	7487005
XC14-048-230	TXV	48,000	14.50	12.00	CH35-48C	SL280UH110V60C	7487006
XC14-048-230	TXV	48,000	14.50	12.00	CH35-48C	SL280UH110XV60C	7487007
XC14-048-230	TXV	48,000	14.25	12.00	CH35-48C	SLP98UH090XV48C	7487008
XC14-048-230	TXV	48,000	14.25	11.70	CH35-48C	SLP98UH090XV60C	7487009
XC14-048-230	TXV	48,000	14.25	12.00	CH35-48C	SLP98UH110XV60C	7487010
XC14-048-230	TXV	48,000	14.50	12.00	CH35-51C	EL180UH090E60C	7487020
XC14-048-230	TXV	48,000	14.50	12.00	CH35-51C	EL180UH110E60C	7487021

NOTES:

TXV = Matched with Thermostatic Expansion Valve.

RFC = Matched with RFC metering device.

AHRI certified to AHRI Standard 210/240 (with 25 ft. of connecting refrigerant lines); 95°F outdoor air temperature, 80°F db / 67°F wb entering evaporator air.

All ratings include the use of a blower time delay relay (TDR). All Lennox variable-speed furnaces and Air Handlers have time delay capabilities. Other Furnaces and Air Handlers may require an optional time delay relay (**58M81**) for field installation. See furnace or air handler specifications to determine if relay is needed.

Also see Expansion Valve Kit Usage Table.

AHRI SYSTEM MATCHES - ALL REGIONS - 018-024-030-041-042-047-048-060

NOTE - For the latest up-to-date system matches please visit the AHRI web site at <http://www.ahridirectory.org>

Model No.	Expansion Device	Capacity	SEER	EER	Coil or Air Handler	Furnace	AHRI Reference
XC14-048-230	TXV	48,000	14.50	12.00	CH35-51C	EL180UH110XE60C	7487022
XC14-048-230	TXV	48,000	14.50	12.00	CH35-51C	EL195UH090XE48C	7487012
XC14-048-230	TXV	48,000	14.50	12.00	CH35-51C	EL195UH110XE60C	7487014
XC14-048-230	TXV	48,000	14.50	12.00	CH35-51C	EL296UH090XE48C	7487013
XC14-048-230	TXV	48,000	14.50	12.00	CH35-51C	EL296UH090XV48C	7487016
XC14-048-230	TXV	48,000	14.50	12.00	CH35-51C	EL296UH090XV60C	7487017
XC14-048-230	TXV	48,000	14.50	12.00	CH35-51C	EL296UH110XE60C	7487015
XC14-048-230	TXV	48,000	14.50	12.00	CH35-51C	EL296UH110XV48C	7487018
XC14-048-230	TXV	48,000	14.50	12.00	CH35-51C	EL296UH110XV60C	7487019
XC14-048-230	TXV	48,000	14.50	12.00	CH35-51C	SL280UH090V60C	7487023
XC14-048-230	TXV	48,000	14.50	12.00	CH35-51C	SL280UH090XV60C	7487024
XC14-048-230	TXV	48,000	14.50	12.00	CH35-51C	SL280UH110V60C	7487025
XC14-048-230	TXV	48,000	14.50	12.00	CH35-51C	SL280UH110XV60C	7487026
XC14-048-230	TXV	48,000	14.50	12.00	CH35-51C	SLP98UH090XV48C	7487027
XC14-048-230	TXV	48,000	14.50	12.00	CH35-51C	SLP98UH090XV60C	7487028
XC14-048-230	TXV	48,000	14.50	12.00	CH35-51C	SLP98UH110XV60C	7487029
XC14-048-230	TXV	48,000	14.00	11.70	CH35-51C		7487011
XC14-048-230	TXV	48,000	15.00	12.50	CH35-60D	EL180UH135E60D	7487034
XC14-048-230	TXV	48,000	14.50	12.00	CH35-60D	EL195UH135XE60D	7487031
XC14-048-230	TXV	48,000	14.50	12.00	CH35-60D	EL296UH135XE60D	7487032
XC14-048-230	TXV	48,000	14.50	12.00	CH35-60D	EL296UH135XV60D	7487033
XC14-048-230	TXV	48,000	15.00	12.50	CH35-60D	SL280UH135V60D	7487035
XC14-048-230	TXV	48,000	14.50	12.00	CH35-60D	SLP98UH135XV60D	7487036
XC14-048-230	TXV	48,000	14.00	11.70	CH35-60D		7487030
XC14-048-230	TXV	46,500	14.25	11.70	CR33-48	EL180DF110E60C	7487039
XC14-048-230	TXV	46,500	14.00	11.70	CR33-48	EL195DF110XE60C	7487037
XC14-048-230	TXV	46,500	14.00	11.70	CR33-48	EL296DF110XE60C	7487038
XC14-048-230	TXV	46,500	14.25	11.70	CR33-48	SL280DF090V60C	7487040
XC14-048-230	TXV	46,500	14.25	11.70	CR33-48	SL280DF110V60C	7487041
XC14-048-230	TXV	47,500	14.25	12.00	CR33-50/60	EL180DF110E60C	7487046
XC14-048-230	TXV	47,000	14.25	12.00	CR33-50/60	EL195DF110XE60C	7487042
XC14-048-230	TXV	47,000	14.00	11.70	CR33-50/60	EL296DF090XV60C	7487044
XC14-048-230	TXV	47,000	14.25	12.00	CR33-50/60	EL296DF110XE60C	7487043
XC14-048-230	TXV	47,000	14.00	11.70	CR33-50/60	EL296DF110XV60C	7487045
XC14-048-230	TXV	47,000	14.25	12.00	CR33-50/60	SL280DF090V60C	7487047
XC14-048-230	TXV	47,000	14.50	12.00	CR33-50/60	SL280DF110V60C	7487048
XC14-048-230	TXV	47,000	14.00	11.70	CR33-50/60	SLP98DF090XV48C	7487049
XC14-048-230	TXV	47,000	14.00	11.70	CR33-50/60	SLP98DF090XV60C	7487050
XC14-048-230	TXV	47,000	14.00	11.70	CR33-50/60	SLP98DF110XV60C	7487051
XC14-048-230	TXV	48,000	14.25	12.00	CX34-43B	EL180UH090E48B	7487052
XC14-048-230	TXV	48,000	14.25	12.00	CX34-43B	EL180UH090XE48B	7487053
XC14-048-230	TXV	48,000	14.50	12.00	CX34-43C	EL180UH090E60C	7487062
XC14-048-230	TXV	47,500	14.50	12.00	CX34-43C	EL180UH110E60C	7487063
XC14-048-230	TXV	47,500	14.50	12.00	CX34-43C	EL180UH110XE60C	7487064
XC14-048-230	TXV	48,000	14.50	12.00	CX34-43C	EL195UH090XE48C	7487054
XC14-048-230	TXV	48,000	14.50	12.00	CX34-43C	EL195UH110XE60C	7487056
XC14-048-230	TXV	48,000	14.50	12.00	CX34-43C	EL296UH090XE48C	7487055
XC14-048-230	TXV	48,000	14.25	12.00	CX34-43C	EL296UH090XV48C	7487058
XC14-048-230	TXV	48,000	14.25	12.00	CX34-43C	EL296UH090XV60C	7487059

NOTES:

TXV = Matched with Thermostatic Expansion Valve.

RFC = Matched with RFC metering device.

AHRI certified to AHRI Standard 210/240 (with 25 ft. of connecting refrigerant lines); 95°F outdoor air temperature, 80°F db / 67°F wb entering evaporator air.

All ratings include the use of a blower time delay relay (TDR). All Lennox variable-speed furnaces and Air Handlers have time delay capabilities. Other Furnaces and Air Handlers may require an optional time delay relay (**58M81**) for field installation. See furnace or air handler specifications to determine if relay is needed.

Also see Expansion Valve Kit Usage Table.

AHRI SYSTEM MATCHES - ALL REGIONS - 018-024-030-041-042-047-048-060

NOTE - For the latest up-to-date system matches please visit the AHRI web site at <http://www.ahridirectory.org>

Model No.	Expansion Device	Capacity	SEER	EER	Coil or Air Handler	Furnace	AHRI Reference
XC14-048-230	TXV	48,000	14.50	12.00	CX34-43C	EL296UH110XE60C	7487057
XC14-048-230	TXV	48,000	14.50	12.00	CX34-43C	EL296UH110XV48C	7487060
XC14-048-230	TXV	48,000	14.25	12.00	CX34-43C	EL296UH110XV60C	7487061
XC14-048-230	TXV	48,000	14.50	12.00	CX34-43C	SL280UH090V60C	7487065
XC14-048-230	TXV	48,000	14.50	12.00	CX34-43C	SL280UH090XV60C	7487066
XC14-048-230	TXV	48,000	14.50	12.00	CX34-43C	SL280UH110V60C	7487067
XC14-048-230	TXV	48,000	14.50	12.00	CX34-43C	SL280UH110XV60C	7487068
XC14-048-230	TXV	48,000	14.25	12.00	CX34-43C	SLP98UH090XV48C	7487069
XC14-048-230	TXV	48,000	14.25	12.00	CX34-43C	SLP98UH090XV60C	7487070
XC14-048-230	TXV	48,000	14.25	12.00	CX34-43C	SLP98UH110XV60C	7487071
XC14-048-230	TXV	47,000	14.00	11.70	CX34-44/48B	EL180UH090E48B	7487072
XC14-048-230	TXV	47,000	14.00	11.70	CX34-44/48B	EL180UH090XE48B	7487073
XC14-048-230	TXV	46,500	14.25	11.70	CX34-44/48C	EL180UH090E60C	7487080
XC14-048-230	TXV	47,500	14.00	11.70	CX34-44/48C	EL180UH110E60C	7487081
XC14-048-230	TXV	47,500	14.00	11.70	CX34-44/48C	EL180UH110XE60C	7487082
XC14-048-230	TXV	46,500	14.00	11.70	CX34-44/48C	EL195UH090XE48C	7487074
XC14-048-230	TXV	46,500	14.00	11.70	CX34-44/48C	EL195UH110XE60C	7487076
XC14-048-230	TXV	46,500	14.00	11.70	CX34-44/48C	EL296UH090XE48C	7487075
XC14-048-230	TXV	47,000	14.00	11.70	CX34-44/48C	EL296UH090XV48C	7487078
XC14-048-230	TXV	46,500	14.00	11.70	CX34-44/48C	EL296UH110XE60C	7487077
XC14-048-230	TXV	47,000	14.00	11.70	CX34-44/48C	EL296UH110XV48C	7487079
XC14-048-230	TXV	47,000	14.25	11.70	CX34-44/48C	SL280UH090V60C	7487083
XC14-048-230	TXV	47,000	14.25	11.70	CX34-44/48C	SL280UH090XV60C	7487084
XC14-048-230	TXV	47,000	14.00	11.70	CX34-44/48C	SL280UH110V60C	7487085
XC14-048-230	TXV	47,000	14.00	11.70	CX34-44/48C	SL280UH110XV60C	7487086
XC14-048-230	TXV	47,000	14.00	11.70	CX34-44/48C	SLP98UH090XV48C	7487087
XC14-048-230	TXV	48,000	15.00	12.50	CX34-49	EL180UH090E60C	7487097
XC14-048-230	TXV	48,000	15.00	12.00	CX34-49	EL180UH110E60C	7487098
XC14-048-230	TXV	48,000	15.00	12.00	CX34-49	EL180UH110XE60C	7487099
XC14-048-230	TXV	48,000	14.50	12.00	CX34-49	EL195UH090XE48C	7487089
XC14-048-230	TXV	48,000	14.50	12.00	CX34-49	EL195UH110XE60C	7487091
XC14-048-230	TXV	48,000	14.50	12.00	CX34-49	EL296UH090XE48C	7487090
XC14-048-230	TXV	48,000	14.50	12.00	CX34-49	EL296UH090XV48C	7487093
XC14-048-230	TXV	48,000	14.50	12.00	CX34-49	EL296UH090XV60C	7487094
XC14-048-230	TXV	48,000	14.50	12.00	CX34-49	EL296UH110XE60C	7487092
XC14-048-230	TXV	48,000	14.50	12.00	CX34-49	EL296UH110XV48C	7487095
XC14-048-230	TXV	48,000	14.50	12.00	CX34-49	EL296UH110XV60C	7487096
XC14-048-230	TXV	48,000	15.00	12.50	CX34-49	SL280UH090V60C	7487100
XC14-048-230	TXV	48,000	15.00	12.50	CX34-49	SL280UH090XV60C	7487101
XC14-048-230	TXV	48,000	15.00	12.50	CX34-49	SL280UH110V60C	7487102
XC14-048-230	TXV	48,000	15.00	12.50	CX34-49	SL280UH110XV60C	7487103
XC14-048-230	TXV	48,000	14.50	12.00	CX34-49	SLP98UH090XV48C	7487104
XC14-048-230	TXV	48,000	14.50	12.00	CX34-49	SLP98UH090XV60C	7487105
XC14-048-230	TXV	48,000	14.50	12.00	CX34-49	SLP98UH110XV60C	7487106
XC14-048-230	TXV	48,000	14.00	11.70	CX34-49		7487088
XC14-048-230	TXV	47,500	14.50	12.00	CX34-50/60C	EL180UH090E60C	7487115
XC14-048-230	TXV	48,000	14.00	11.70	CX34-50/60C	EL180UH110E60C	7487116
XC14-048-230	TXV	48,000	14.00	11.70	CX34-50/60C	EL180UH110XE60C	7487117
XC14-048-230	TXV	47,500	14.25	12.00	CX34-50/60C	EL195UH090XE48C	7487107

NOTES:

TXV = Matched with Thermostatic Expansion Valve.

RFC = Matched with RFC metering device.

AHRI certified to AHRI Standard 210/240 (with 25 ft. of connecting refrigerant lines); 95°F outdoor air temperature, 80°F db / 67°F wb entering evaporator air. All ratings include the use of a blower time delay relay (TDR). All Lennox variable-speed furnaces and Air Handlers have time delay capabilities. Other Furnaces and Air Handlers may require an optional time delay relay (**58M81**) for field installation. See furnace or air handler specifications to determine if relay is needed.

Also see Expansion Valve Kit Usage Table.

AHRI SYSTEM MATCHES - ALL REGIONS - 018-024-030-041-042-047-048-060

NOTE - For the latest up-to-date system matches please visit the AHRI web site at <http://www.ahridirectory.org>

Model No.	Expansion Device	Capacity	SEER	EER	Coil or Air Handler	Furnace	AHRI Reference
XC14-048-230	TXV	47,500	14.25	12.00	CX34-50/60C	EL195UH110XE60C	7487109
XC14-048-230	TXV	47,500	14.25	12.00	CX34-50/60C	EL296UH090XE48C	7487108
XC14-048-230	TXV	47,500	14.00	11.70	CX34-50/60C	EL296UH090XV48C	7487111
XC14-048-230	TXV	47,500	14.00	11.70	CX34-50/60C	EL296UH090XV60C	7487112
XC14-048-230	TXV	47,500	14.25	12.00	CX34-50/60C	EL296UH110XE60C	7487110
XC14-048-230	TXV	47,500	14.25	11.70	CX34-50/60C	EL296UH110XV48C	7487113
XC14-048-230	TXV	47,500	14.00	11.70	CX34-50/60C	EL296UH110XV60C	7487114
XC14-048-230	TXV	47,500	14.25	12.00	CX34-50/60C	SL280UH090V60C	7487118
XC14-048-230	TXV	47,500	14.25	12.00	CX34-50/60C	SL280UH090XV60C	7487119
XC14-048-230	TXV	47,500	14.25	12.00	CX34-50/60C	SL280UH110V60C	7487120
XC14-048-230	TXV	47,500	14.25	12.00	CX34-50/60C	SL280UH110XV60C	7487121
XC14-048-230	TXV	47,500	14.00	11.70	CX34-50/60C	SLP98UH090XV48C	7487122
XC14-048-230	TXV	47,500	14.00	11.70	CX34-50/60C	SLP98UH090XV60C	7487123
XC14-048-230	TXV	47,500	14.00	11.70	CX34-50/60C	SLP98UH110XV60C	7487124
XC14-048-230	TXV	48,000	14.50	12.50	CX34-60D	EL180UH135E60D	7487129
XC14-048-230	TXV	48,000	14.50	12.00	CX34-60D	EL195UH135XE60D	7487126
XC14-048-230	TXV	48,000	14.50	12.00	CX34-60D	EL296UH135XE60D	7487127
XC14-048-230	TXV	48,000	14.50	12.00	CX34-60D	EL296UH135XV60D	7487128
XC14-048-230	TXV	48,000	15.00	12.50	CX34-60D	SL280UH135V60D	7487130
XC14-048-230	TXV	48,000	14.50	12.00	CX34-60D	SLP98UH135XV60D	7487131
XC14-048-230	TXV	48,000	14.00	11.70	CX34-60D		7487125
XC14-048-230	TXV	48,000	15.10	12.50	CX34-62C	EL180UH090E60C	7487141
XC14-048-230	TXV	48,000	15.00	12.50	CX34-62C	EL180UH110E60C	7487142
XC14-048-230	TXV	48,000	15.00	12.50	CX34-62C	EL180UH110XE60C	7487143
XC14-048-230	TXV	48,000	14.50	12.50	CX34-62C	EL195UH090XE48C	7487133
XC14-048-230	TXV	48,000	15.00	12.50	CX34-62C	EL195UH110XE60C	7487135
XC14-048-230	TXV	48,000	14.50	12.50	CX34-62C	EL296UH090XE48C	7487134
XC14-048-230	TXV	48,000	14.50	12.00	CX34-62C	EL296UH090XV48C	7487137
XC14-048-230	TXV	48,000	14.50	12.00	CX34-62C	EL296UH090XV60C	7487138
XC14-048-230	TXV	48,000	15.00	12.50	CX34-62C	EL296UH110XE60C	7487136
XC14-048-230	TXV	48,000	15.00	12.50	CX34-62C	EL296UH110XV48C	7487139
XC14-048-230	TXV	48,000	14.50	12.50	CX34-62C	EL296UH110XV60C	7487140
XC14-048-230	TXV	48,000	15.10	12.50	CX34-62C	SL280UH090V60C	7487144
XC14-048-230	TXV	48,000	15.10	12.50	CX34-62C	SL280UH090XV60C	7487145
XC14-048-230	TXV	48,000	15.00	12.50	CX34-62C	SL280UH110V60C	7487146
XC14-048-230	TXV	48,000	15.00	12.50	CX34-62C	SL280UH110XV60C	7487147
XC14-048-230	TXV	48,000	14.50	12.00	CX34-62C	SLP98UH090XV48C	7487148
XC14-048-230	TXV	48,000	14.50	12.00	CX34-62C	SLP98UH090XV60C	7487149
XC14-048-230	TXV	48,000	14.50	12.50	CX34-62C	SLP98UH110XV60C	7487150
XC14-048-230	TXV	48,000	14.25	12.00	CX34-62C		7487132
XC14-048-230	TXV	48,000	15.00	12.50	CX34-62D	EL180UH135E60D	7487155
XC14-048-230	TXV	48,000	14.25	12.00	CX34-62D	EL195UH135XE60D	7487152
XC14-048-230	TXV	48,000	14.25	12.00	CX34-62D	EL296UH135XE60D	7487154
XC14-048-230	TXV	48,000	14.50	12.00	CX34-62D	EL296UH135XV60D	7487153
XC14-048-230	TXV	48,000	15.00	12.50	CX34-62D	SL280UH135V60D	7487156
XC14-048-230	TXV	48,000	14.50	12.00	CX34-62D	SLP98UH135XV60D	7487157
XC14-048-230	TXV	48,000	14.00	11.70	CX34-62D		7487151
XC14-048-230	TXV	48,000	14.25	12.00	CX35-48B	EL180UH090E48B	8266346
XC14-048-230	TXV	48,000	14.25	12.00	CX35-48B	EL180UH090XE48B	8266347

NOTES:

TXV = Matched with Thermostatic Expansion Valve.
 RFC = Matched with RFC metering device.

AHRI certified to AHRI Standard 210/240 (with 25 ft. of connecting refrigerant lines); 95°F outdoor air temperature, 80°F db / 67°F wb entering evaporator air. All ratings include the use of a blower time delay relay (TDR). All Lennox variable-speed furnaces and Air Handlers have time delay capabilities. Other Furnaces and Air Handlers may require an optional time delay relay (**58M81**) for field installation. See furnace or air handler specifications to determine if relay is needed.

Also see Expansion Valve Kit Usage Table.

AHRI SYSTEM MATCHES - ALL REGIONS - 018-024-030-041-042-047-048-060

NOTE - For the latest up-to-date system matches please visit the AHRI web site at <http://www.ahridirectory.org>

Model No.	Expansion Device	Capacity	SEER	EER	Coil or Air Handler	Furnace	AHRI Reference
XC14-048-230	TXV	48,000	14.50	12.00	CX35-48C	EL180UH090E60C	8266362
XC14-048-230	TXV	47,500	14.50	12.00	CX35-48C	EL180UH110E60C	8266351
XC14-048-230	TXV	47,500	14.50	12.00	CX35-48C	EL180UH110XE60C	8266352
XC14-048-230	TXV	48,000	14.50	12.00	CX35-48C	EL195UH090XE48C	8266363
XC14-048-230	TXV	48,000	14.50	12.00	CX35-48C	EL195UH110XE60C	8266365
XC14-048-230	TXV	48,000	14.50	12.00	CX35-48C	EL296UH090XE48C	8266364
XC14-048-230	TXV	48,000	14.00	12.00	CX35-48C	EL296UH090XV48C	8266358
XC14-048-230	TXV	48,000	14.00	12.00	CX35-48C	EL296UH090XV60C	8266359
XC14-048-230	TXV	48,000	14.50	12.00	CX35-48C	EL296UH110XE60C	8266357
XC14-048-230	TXV	48,000	14.50	12.00	CX35-48C	EL296UH110XV48C	8266360
XC14-048-230	TXV	48,000	14.00	12.00	CX35-48C	EL296UH110XV60C	8266361
XC14-048-230	TXV	48,000	14.50	12.00	CX35-48C	SL280UH090V60C	8266353
XC14-048-230	TXV	48,000	14.50	12.00	CX35-48C	SL280UH090XV60C	8266354
XC14-048-230	TXV	48,000	14.50	12.00	CX35-48C	SL280UH110V60C	8266355
XC14-048-230	TXV	48,000	14.50	12.00	CX35-48C	SL280UH110XV60C	8266356
XC14-048-230	TXV	48,000	14.00	12.00	CX35-48C	SLP98UH090XV48C	8266348
XC14-048-230	TXV	48,000	14.00	12.00	CX35-48C	SLP98UH090XV60C	8266349
XC14-048-230	TXV	48,000	14.00	12.00	CX35-48C	SLP98UH110XV60C	8266350
XC14-048-230	TXV	48,000	15.00	12.50	CX35-49C	EL180UH090E60C	8266377
XC14-048-230	TXV	48,000	14.00	12.00	CX35-49C	EL180UH110E60C	8266378
XC14-048-230	TXV	48,000	14.00	12.00	CX35-49C	EL180UH110XE60C	8266379
XC14-048-230	TXV	48,000	14.50	12.00	CX35-49C	EL195UH090XE48C	8266380
XC14-048-230	TXV	48,000	14.50	12.00	CX35-49C	EL195UH110XE60C	8266382
XC14-048-230	TXV	48,000	14.50	12.00	CX35-49C	EL296UH090XE48C	8266381
XC14-048-230	TXV	48,000	14.50	12.00	CX35-49C	EL296UH090XV48C	8266384
XC14-048-230	TXV	48,000	14.50	12.00	CX35-49C	EL296UH090XV60C	8266374
XC14-048-230	TXV	48,000	14.50	12.00	CX35-49C	EL296UH110XE60C	8266383
XC14-048-230	TXV	48,000	14.50	12.00	CX35-49C	EL296UH110XV48C	8266375
XC14-048-230	TXV	48,000	14.50	12.00	CX35-49C	EL296UH110XV60C	8266376
XC14-048-230	TXV	48,000	15.00	12.50	CX35-49C	SL280UH090V60C	8266368
XC14-048-230	TXV	48,000	15.00	12.50	CX35-49C	SL280UH090XV60C	8266369
XC14-048-230	TXV	48,000	15.00	12.50	CX35-49C	SL280UH110V60C	8266370
XC14-048-230	TXV	48,000	15.00	12.50	CX35-49C	SL280UH110XV60C	8266371
XC14-048-230	TXV	48,000	14.50	12.00	CX35-49C	SLP98UH090XV48C	8266372
XC14-048-230	TXV	48,000	14.50	12.00	CX35-49C	SLP98UH090XV60C	8266373
XC14-048-230	TXV	48,000	14.50	12.00	CX35-49C	SLP98UH110XV60C	8266367
XC14-048-230	TXV	48,000	14.00	11.70	CX35-49C		8266366
XC14-048-230	TXV	47,500	14.50	12.00	CX35-50/60C	EL180UH090E60C	8266395
XC14-048-230	TXV	48,000	14.00	11.70	CX35-50/60C	EL180UH110E60C	8266396
XC14-048-230	TXV	48,000	14.00	11.70	CX35-50/60C	EL180UH110XE60C	8266397
XC14-048-230	TXV	47,500	14.25	12.00	CX35-50/60C	EL195UH090XE48C	8266398
XC14-048-230	TXV	47,500	14.25	12.00	CX35-50/60C	EL195UH110XE60C	8266400
XC14-048-230	TXV	47,500	14.25	12.00	CX35-50/60C	EL296UH090XE48C	8266399
XC14-048-230	TXV	47,500	14.00	11.70	CX35-50/60C	EL296UH090XV48C	8266402
XC14-048-230	TXV	47,500	14.00	11.70	CX35-50/60C	EL296UH090XV60C	8266392
XC14-048-230	TXV	47,500	14.25	12.00	CX35-50/60C	EL296UH110XE60C	8266401
XC14-048-230	TXV	47,500	14.25	11.70	CX35-50/60C	EL296UH110XV48C	8266393
XC14-048-230	TXV	47,500	14.00	11.70	CX35-50/60C	EL296UH110XV60C	8266394
XC14-048-230	TXV	47,500	14.25	12.00	CX35-50/60C	SL280UH090V60C	8266386

NOTES:

TXV = Matched with Thermostatic Expansion Valve.

RFC = Matched with RFC metering device.

AHRI certified to AHRI Standard 210/240 (with 25 ft. of connecting refrigerant lines); 95°F outdoor air temperature, 80°F db / 67°F wb entering evaporator air.

All ratings include the use of a blower time delay relay (TDR). All Lennox variable-speed furnaces and Air Handlers have time delay capabilities. Other Furnaces and Air Handlers may require an optional time delay relay (**58M81**) for field installation. See furnace or air handler specifications to determine if relay is needed.

Also see Expansion Valve Kit Usage Table.

AHRI SYSTEM MATCHES - ALL REGIONS - 018-024-030-041-042-047-048-060

NOTE - For the latest up-to-date system matches please visit the AHRI web site at <http://www.ahridirectory.org>

Model No.	Expansion Device	Capacity	SEER	EER	Coil or Air Handler	Furnace	AHRI Reference
XC14-048-230	TXV	47,500	14.25	12.00	CX35-50/60C	SL280UH090XV60C	8266387
XC14-048-230	TXV	47,500	14.25	12.00	CX35-50/60C	SL280UH110V60C	8266388
XC14-048-230	TXV	47,500	14.25	12.00	CX35-50/60C	SL280UH110XV60C	8266389
XC14-048-230	TXV	47,500	14.00	11.70	CX35-50/60C	SLP98UH090XV48C	8266390
XC14-048-230	TXV	47,500	14.00	11.70	CX35-50/60C	SLP98UH090XV60C	8266391
XC14-048-230	TXV	47,500	14.00	11.70	CX35-50/60C	SLP98UH110XV60C	8266385
XC14-048-230	TXV	48,000	15.10	12.50	CX35-60C	EL180UH090E60C	8266414
XC14-048-230	TXV	48,000	15.00	12.50	CX35-60C	EL180UH110E60C	8266415
XC14-048-230	TXV	48,000	15.00	12.50	CX35-60C	EL180UH110XE60C	8266416
XC14-048-230	TXV	48,000	14.50	12.50	CX35-60C	EL195UH090XE48C	8266417
XC14-048-230	TXV	48,000	15.00	12.50	CX35-60C	EL195UH110XE60C	8266419
XC14-048-230	TXV	48,000	14.50	12.50	CX35-60C	EL296UH090XE48C	8266418
XC14-048-230	TXV	48,000	14.50	12.00	CX35-60C	EL296UH090XV48C	8266421
XC14-048-230	TXV	48,000	14.50	12.00	CX35-60C	EL296UH090XV60C	8266411
XC14-048-230	TXV	48,000	15.00	12.50	CX35-60C	EL296UH110XE60C	8266420
XC14-048-230	TXV	48,000	15.00	12.50	CX35-60C	EL296UH110XV48C	8266412
XC14-048-230	TXV	48,000	14.50	12.50	CX35-60C	EL296UH110XV60C	8266413
XC14-048-230	TXV	48,000	15.10	12.50	CX35-60C	SL280UH090V60C	8266405
XC14-048-230	TXV	48,000	15.10	12.50	CX35-60C	SL280UH090XV60C	8266406
XC14-048-230	TXV	48,000	15.00	12.50	CX35-60C	SL280UH110V60C	8266407
XC14-048-230	TXV	48,000	15.00	12.50	CX35-60C	SL280UH110XV60C	8266408
XC14-048-230	TXV	48,000	14.50	12.00	CX35-60C	SLP98UH090XV48C	8266409
XC14-048-230	TXV	48,000	14.50	12.00	CX35-60C	SLP98UH090XV60C	8266410
XC14-048-230	TXV	48,000	14.50	12.50	CX35-60C	SLP98UH110XV60C	8266404
XC14-048-230	TXV	48,000	14.00	11.70	CX35-60C		8266403
XC14-048-230	TXV	48,000	15.00	12.50	CX35-60D	EL180UH135E60D	8266427
XC14-048-230	TXV	48,000	14.25	12.00	CX35-60D	EL195UH135XE60D	8266424
XC14-048-230	TXV	48,000	14.25	12.00	CX35-60D	EL296UH135XE60D	8266426
XC14-048-230	TXV	48,000	14.50	12.00	CX35-60D	EL296UH135XV60D	8266425
XC14-048-230	TXV	48,000	15.00	12.50	CX35-60D	SL280UH135V60D	8266428
XC14-048-230	TXV	48,000	14.50	12.00	CX35-60D	SLP98UH135XV60D	8266423
XC14-048-230	TXV	48,000	14.00	11.70	CX35-60D		8266422
XC14-060-230	TXV	58,000	14.50	12.00	C33-49	EL180UH090E60C	5736975
XC14-060-230	TXV	57,500	14.20	12.00	C33-49	EL180UH110E60C	5738755
XC14-060-230	TXV	57,500	14.20	12.00	C33-49	EL180UH110XE60C	5739586
XC14-060-230	TXV	57,500	14.20	12.00	C33-49	EL195UH110XE60C	5697839
XC14-060-230	TXV	57,000	14.20	11.70	C33-49	EL296UH090XV60C	5699640
XC14-060-230	TXV	57,500	14.20	12.00	C33-49	EL296UH110XE60C	5697840
XC14-060-230	TXV	57,000	14.20	12.00	C33-49	EL296UH110XV60C	5699641
XC14-060-230	TXV	58,000	14.20	12.00	C33-49	SL280UH090V60C	5697846
XC14-060-230	TXV	58,000	14.20	12.00	C33-49	SL280UH090XV60C	5697848
XC14-060-230	TXV	57,500	14.20	12.00	C33-49	SL280UH110V60C	5697847
XC14-060-230	TXV	57,500	14.20	12.00	C33-49	SL280UH110XV60C	5697849
XC14-060-230	TXV	57,000	14.20	11.70	C33-49	SLP98UH090XV60C	5697841
XC14-060-230	TXV	57,000	14.20	12.00	C33-49	SLP98UH110XV60C	5697842
XC14-060-230	TXV	58,000	14.00	11.70	C33-49		5697838
XC14-060-230	TXV	56,500	14.20	11.70	C33-50/60C	EL180UH090E60C	5736981
XC14-060-230	TXV	56,500	14.00	11.70	C33-50/60C	EL180UH110E60C	5738758
XC14-060-230	TXV	56,500	14.00	11.70	C33-50/60C	EL180UH110XE60C	5739590

NOTES:

TXV = Matched with Thermostatic Expansion Valve.
 RFC = Matched with RFC metering device.

AHRI certified to AHRI Standard 210/240 (with 25 ft. of connecting refrigerant lines); 95°F outdoor air temperature, 80°F db / 67°F wb entering evaporator air. All ratings include the use of a blower time delay relay (TDR). All Lennox variable-speed furnaces and Air Handlers have time delay capabilities. Other Furnaces and Air Handlers may require an optional time delay relay (**58M81**) for field installation. See furnace or air handler specifications to determine if relay is needed.

Also see Expansion Valve Kit Usage Table.

AHRI SYSTEM MATCHES - ALL REGIONS - 018-024-030-041-042-047-048-060

NOTE - For the latest up-to-date system matches please visit the AHRI web site at <http://www.ahridirectory.org>

Model No.	Expansion Device	Capacity	SEER	EER	Coil or Air Handler	Furnace	AHRI Reference
XC14-060-230	TXV	56,500	14.00	11.70	C33-50/60C	EL195UH110XE60C	5697851
XC14-060-230	TXV	56,500	14.00	11.70	C33-50/60C	EL296UH110XE60C	5697852
XC14-060-230	TXV	56,500	14.00	11.70	C33-50/60C	SL280UH090V60C	5697857
XC14-060-230	TXV	56,500	14.00	11.70	C33-50/60C	SL280UH090XV60C	5697859
XC14-060-230	TXV	58,000	14.50	12.00	C33-60D	EL180UH135E60D	5745985
XC14-060-230	TXV	58,000	14.00	11.70	C33-60D	EL195UH135XE60D	5697864
XC14-060-230	TXV	58,000	14.00	11.70	C33-60D	EL296UH135XE60D	5697865
XC14-060-230	TXV	57,500	14.50	12.00	C33-60D	EL296UH135XV60D	5697866
XC14-060-230	TXV	57,500	14.70	12.20	C33-60D	SL280UH135V60D	5697868
XC14-060-230	TXV	57,500	14.50	12.00	C33-60D	SLP98UH135XV60D	5697869
XC14-060-230	TXV	57,500	14.00	11.70	C33-60D		5697863
XC14-060-230	TXV	59,000	14.70	12.20	C33-62C	EL180UH090E60C	5736977
XC14-060-230	TXV	58,500	14.70	12.20	C33-62C	EL180UH110E60C	5738756
XC14-060-230	TXV	58,500	14.70	12.20	C33-62C	EL180UH110XE60C	5739588
XC14-060-230	TXV	58,500	14.50	12.00	C33-62C	EL195UH110XE60C	5697871
XC14-060-230	TXV	58,000	14.50	12.00	C33-62C	EL296UH090XV60C	5697873
XC14-060-230	TXV	58,500	14.50	12.00	C33-62C	EL296UH110XE60C	5697872
XC14-060-230	TXV	58,000	14.50	12.20	C33-62C	EL296UH110XV60C	5697874
XC14-060-230	TXV	59,000	14.70	12.20	C33-62C	SL280UH090V60C	5697878
XC14-060-230	TXV	59,000	14.70	12.20	C33-62C	SL280UH090XV60C	5697880
XC14-060-230	TXV	58,500	14.50	12.20	C33-62C	SL280UH110V60C	5697879
XC14-060-230	TXV	58,500	14.50	12.20	C33-62C	SL280UH110XV60C	5697881
XC14-060-230	TXV	58,500	14.50	12.00	C33-62C	SLO185B124/141V60	7110047
XC14-060-230	TXV	58,000	14.50	12.00	C33-62C	SLP98UH090XV60C	5697882
XC14-060-230	TXV	58,000	14.50	12.20	C33-62C	SLP98UH110XV60C	5697883
XC14-060-230	TXV	59,000	14.20	12.00	C33-62C		5697870
XC14-060-230	TXV	58,500	14.50	12.20	C33-62D	EL180UH135E60D	5745986
XC14-060-230	TXV	58,500	14.20	11.70	C33-62D	EL195UH135XE60D	5697885
XC14-060-230	TXV	58,500	14.20	11.70	C33-62D	EL296UH135XE60D	5697886
XC14-060-230	TXV	57,500	14.50	12.00	C33-62D	EL296UH135XV60D	5697887
XC14-060-230	TXV	58,000	15.00	12.20	C33-62D	SL280UH135V60D	5697889
XC14-060-230	TXV	57,500	14.50	12.00	C33-62D	SLP98UH135XV60D	5697890
XC14-060-230	TXV	58,500	14.00	11.70	C33-62D		5697884
XC14-060-230	TXV	58,000	14.50	12.00	C35-49C	EL180UH090E60C	8266460
XC14-060-230	TXV	57,500	14.20	12.00	C35-49C	EL180UH110E60C	8266462
XC14-060-230	TXV	57,500	14.20	12.00	C35-49C	EL180UH110XE60C	8266459
XC14-060-230	TXV	57,500	14.20	12.00	C35-49C	EL195UH110XE60C	8266453
XC14-060-230	TXV	57,000	14.20	11.70	C35-49C	EL296UH090XV60C	8266463
XC14-060-230	TXV	57,500	14.20	12.00	C35-49C	EL296UH110XE60C	8266454
XC14-060-230	TXV	57,000	14.20	12.00	C35-49C	EL296UH110XV60C	8266461
XC14-060-230	TXV	58,000	14.20	12.00	C35-49C	SL280UH090V60C	8266457
XC14-060-230	TXV	58,000	14.20	12.00	C35-49C	SL280UH090XV60C	8266464
XC14-060-230	TXV	57,500	14.20	12.00	C35-49C	SL280UH110V60C	8266458
XC14-060-230	TXV	57,500	14.20	12.00	C35-49C	SL280UH110XV60C	8266465
XC14-060-230	TXV	57,000	14.20	11.70	C35-49C	SLP98UH090XV60C	8266455
XC14-060-230	TXV	57,000	14.20	12.00	C35-49C	SLP98UH110XV60C	8266456
XC14-060-230	TXV	58,000	14.00	11.70	C35-49C		8266452
XC14-060-230	TXV	56,500	14.20	11.70	C35-50/60C	EL180UH090E60C	8266468
XC14-060-230	TXV	56,500	14.00	11.70	C35-50/60C	EL180UH110E60C	8266467

NOTES:

TXV = Matched with Thermostatic Expansion Valve.

RFC = Matched with RFC metering device.

AHRI certified to AHRI Standard 210/240 (with 25 ft. of connecting refrigerant lines); 95°F outdoor air temperature, 80°F db / 67°F wb entering evaporator air. All ratings include the use of a blower time delay relay (TDR). All Lennox variable-speed furnaces and Air Handlers have time delay capabilities. Other Furnaces and Air Handlers may require an optional time delay relay (**58M81**) for field installation. See furnace or air handler specifications to determine if relay is needed.

Also see Expansion Valve Kit Usage Table.

AHRI SYSTEM MATCHES - ALL REGIONS - 018-024-030-041-042-047-048-060

NOTE - For the latest up-to-date system matches please visit the AHRI web site at <http://www.ahridirectory.org>

Model No.	Expansion Device	Capacity	SEER	EER	Coil or Air Handler	Furnace	AHRI Reference
XC14-060-230	TXV	56,500	14.00	11.70	C35-50/60C	EL180UH110XE60C	8266466
XC14-060-230	TXV	56,500	14.00	11.70	C35-50/60C	EL195UH110XE60C	8266469
XC14-060-230	TXV	56,500	14.00	11.70	C35-50/60C	EL296UH110XE60C	8266470
XC14-060-230	TXV	56,500	14.00	11.70	C35-50/60C	SL280UH090V60C	8266471
XC14-060-230	TXV	56,500	14.00	11.70	C35-50/60C	SL280UH090XV60C	8266472
XC14-060-230	TXV	59,000	14.70	12.20	C35-60C	EL180UH090E60C	8266477
XC14-060-230	TXV	58,500	14.70	12.20	C35-60C	EL180UH110E60C	8266476
XC14-060-230	TXV	58,500	14.70	12.20	C35-60C	EL180UH110XE60C	8266475
XC14-060-230	TXV	58,500	14.50	12.00	C35-60C	EL195UH110XE60C	8266486
XC14-060-230	TXV	58,000	14.50	12.00	C35-60C	EL296UH090XV60C	8266480
XC14-060-230	TXV	58,500	14.50	12.00	C35-60C	EL296UH110XE60C	8266487
XC14-060-230	TXV	58,000	14.50	12.20	C35-60C	EL296UH110XV60C	8266481
XC14-060-230	TXV	59,000	14.70	12.20	C35-60C	SL280UH090V60C	8266482
XC14-060-230	TXV	59,000	14.70	12.20	C35-60C	SL280UH090XV60C	8266484
XC14-060-230	TXV	58,500	14.50	12.20	C35-60C	SL280UH110V60C	8266483
XC14-060-230	TXV	58,500	14.50	12.20	C35-60C	SL280UH110XV60C	8266485
XC14-060-230	TXV	58,500	14.50	12.00	C35-60C	SLO185B124/141V60	8266474
XC14-060-230	TXV	58,000	14.50	12.00	C35-60C	SLP98UH090XV60C	8266478
XC14-060-230	TXV	58,000	14.50	12.20	C35-60C	SLP98UH110XV60C	8266479
XC14-060-230	TXV	59,000	14.20	12.00	C35-60C		8266473
XC14-060-230	TXV	58,500	14.50	12.20	C35-60D	EL180UH135E60D	8266489
XC14-060-230	TXV	58,500	14.20	11.70	C35-60D	EL195UH135XE60D	8266492
XC14-060-230	TXV	58,500	14.20	11.70	C35-60D	EL296UH135XE60D	8266493
XC14-060-230	TXV	57,500	14.50	12.00	C35-60D	EL296UH135XV60D	8266494
XC14-060-230	TXV	58,000	15.00	12.20	C35-60D	SL280UH135V60D	8266490
XC14-060-230	TXV	57,500	14.50	12.00	C35-60D	SLP98UH135XV60D	8266491
XC14-060-230	TXV	58,500	14.00	11.70	C35-60D		8266488
XC14-060-230	TXV	58,500	14.50	12.20	CBX25UHV-060		6970215
XC14-060-230	TXV	58,000	14.50	12.00	CBX27UH-060		5697892
XC14-060-230	TXV	57,500	14.20	11.70	CBX32M-060		5697894
XC14-060-230	TXV	57,000	14.20	11.70	CBX32MV-048		5697895
XC14-060-230	TXV	57,500	14.20	12.00	CBX32MV-060		5697896
XC14-060-230	TXV	57,500	14.50	12.00	CBX32MV-068		5697897
XC14-060-230	TXV	58,500	14.70	12.20	CH23-65	EL180UH090E60C	5736979
XC14-060-230	TXV	58,500	14.50	12.20	CH23-65	EL180UH110E60C	5738760
XC14-060-230	TXV	59,000	14.70	12.20	CH23-68	EL180UH135E60D	5745987
XC14-060-230	TXV	59,000	14.20	12.00	CH23-68	EL195UH135XE60D	5697901
XC14-060-230	TXV	57,500	14.50	12.00	CH23-68	EL296UH090XV60C	5697903
XC14-060-230	TXV	58,500	14.50	12.00	CH23-68	EL296UH110XV60C	5697904
XC14-060-230	TXV	59,000	14.20	12.00	CH23-68	EL296UH135XE60D	5697902
XC14-060-230	TXV	59,000	14.50	12.20	CH23-68	EL296UH135XV60D	5697905
XC14-060-230	TXV	58,000	14.50	12.20	CH23-68	SL280UH110V60C	5697907
XC14-060-230	TXV	58,500	15.00	12.50	CH23-68	SL280UH135V60D	5697908
XC14-060-230	TXV	58,500	14.20	11.70	CH23-68		5697900
XC14-060-230	TXV	58,000	14.50	12.00	CH33-49	EL180UH090E60C	5736983
XC14-060-230	TXV	58,000	14.20	12.00	CH33-49	EL180UH110E60C	5738762
XC14-060-230	TXV	58,000	14.20	12.00	CH33-49	EL195UH110XE60C	5697910
XC14-060-230	TXV	57,500	14.20	11.70	CH33-49	EL296UH090XV60C	5697912
XC14-060-230	TXV	58,000	14.20	12.00	CH33-49	EL296UH110XE60C	5697911

NOTES:

TXV = Matched with Thermostatic Expansion Valve.

RFC = Matched with RFC metering device.

AHRI certified to AHRI Standard 210/240 (with 25 ft. of connecting refrigerant lines); 95°F outdoor air temperature, 80°F db / 67°F wb entering evaporator air.

All ratings include the use of a blower time delay relay (TDR). All Lennox variable-speed furnaces and Air Handlers have time delay capabilities. Other Furnaces and Air Handlers may require an optional time delay relay (**58M81**) for field installation. See furnace or air handler specifications to determine if relay is needed.

Also see Expansion Valve Kit Usage Table.

AHRI SYSTEM MATCHES - ALL REGIONS - 018-024-030-041-042-047-048-060

NOTE - For the latest up-to-date system matches please visit the AHRI web site at <http://www.ahridirectory.org>

Model No.	Expansion Device	Capacity	SEER	EER	Coil or Air Handler	Furnace	AHRI Reference
XC14-060-230	TXV	58,000	14.20	11.70	CH33-49	EL296UH110XV60C	5697913
XC14-060-230	TXV	58,000	14.50	12.00	CH33-49	SL280UH090V60C	5697916
XC14-060-230	TXV	58,000	14.20	12.00	CH33-49	SL280UH110V60C	5697917
XC14-060-230	TXV	57,500	14.20	11.70	CH33-49	SLP98UH090XV60C	5697918
XC14-060-230	TXV	57,500	14.20	12.00	CH33-49	SLP98UH110XV60C	5697919
XC14-060-230	TXV	58,000	14.00	11.70	CH33-49		5697909
XC14-060-230	TXV	57,500	14.20	11.70	CH33-50/60C	SL280UH090V60C	5697925
XC14-060-230	TXV	57,500	14.00	11.70	CH33-50/60C	SL280UH110V60C	5697926
XC14-060-230	TXV	58,000	14.00	11.70	CH33-50/60C		5697920
XC14-060-230	TXV	57,500	14.20	12.00	CH33-60D	EL180UH135E60D	5745988
XC14-060-230	TXV	57,500	14.00	11.70	CH33-60D	EL195UH135XE60D	5697928
XC14-060-230	TXV	57,500	14.00	11.70	CH33-60D	EL296UH135XE60D	5697929
XC14-060-230	TXV	57,500	14.20	11.70	CH33-60D	EL296UH135XV60D	5697930
XC14-060-230	TXV	57,000	14.70	12.20	CH33-60D	SL280UH135V60D	5697932
XC14-060-230	TXV	57,500	14.20	12.00	CH33-60D	SLP98UH135XV60D	5697933
XC14-060-230	TXV	58,000	14.50	12.00	CH33-62D	EL180UH135E60D	5745989
XC14-060-230	TXV	58,000	14.20	11.70	CH33-62D	EL195UH135XE60D	5697935
XC14-060-230	TXV	58,000	14.20	11.70	CH33-62D	EL296UH135XE60D	5697936
XC14-060-230	TXV	58,000	14.20	12.00	CH33-62D	EL296UH135XV60D	5699642
XC14-060-230	TXV	57,500	14.70	12.20	CH33-62D	SL280UH135V60D	5697938
XC14-060-230	TXV	57,500	14.50	12.00	CH33-62D	SLP98UH135XV60D	5697939
XC14-060-230	TXV	57,500	14.00	11.70	CH33-62D		5697934
XC14-060-230	TXV	59,000	14.00	11.70	CH35-51C	EL180UH110E60C	7165445
XC14-060-230	TXV	57,500	14.25	11.70	CH35-51C	EL296UH090XV60C	7165441
XC14-060-230	TXV	58,000	14.25	11.70	CH35-51C	EL296UH110XV60C	7165442
XC14-060-230	TXV	58,000	14.25	12.00	CH35-51C	SL280UH090V60C	7165446
XC14-060-230	TXV	58,000	14.25	11.70	CH35-51C	SL280UH110V60C	7165447
XC14-060-230	TXV	57,500	14.25	11.70	CH35-51C	SLP98UH090XV60C	7165448
XC14-060-230	TXV	57,500	14.50	12.00	CH35-51C	SLP98UH110XV60C	7165449
XC14-060-230	TXV	58,500	14.00	11.70	CH35-51C		7165439
XC14-060-230	TXV	58,500	14.50	12.00	CH35-60D	EL180UH135E60D	7165454
XC14-060-230	TXV	58,000	14.25	11.70	CH35-60D	EL195UH135XE60D	7165451
XC14-060-230	TXV	58,000	14.25	11.70	CH35-60D	EL296UH135XE60D	7165453
XC14-060-230	TXV	58,500	14.25	12.00	CH35-60D	EL296UH135XV60D	7165452
XC14-060-230	TXV	57,500	14.50	12.00	CH35-60D	SL280UH135V60D	7165455
XC14-060-230	TXV	58,000	14.50	12.00	CH35-60D	SLP98UH135XV60D	7165456
XC14-060-230	TXV	58,000	14.00	11.70	CH35-60D		7165450
XC14-060-230	TXV	57,000	14.20	12.00	CR33-50/60	EL180DF110E60C	5733580
XC14-060-230	TXV	57,000	14.20	12.00	CR33-50/60	EL195DF110XE60C	5697941
XC14-060-230	TXV	57,000	14.20	12.00	CR33-50/60	EL296DF110XE60C	5697942
XC14-060-230	TXV	56,500	14.00	11.70	CR33-50/60	SL280DF090V60C	5697946
XC14-060-230	TXV	56,500	14.20	11.70	CR33-50/60	SL280DF110V60C	5697947
XC14-060-230	TXV	58,000	14.50	12.00	CX34-49	EL180UH090E60C	5736986
XC14-060-230	TXV	57,500	14.20	12.00	CX34-49	EL180UH110E60C	5738767
XC14-060-230	TXV	57,500	14.20	12.00	CX34-49	EL180UH110XE60C	5739593
XC14-060-230	TXV	57,500	14.20	12.00	CX34-49	EL195UH110XE60C	5697952
XC14-060-230	TXV	57,000	14.20	11.70	CX34-49	EL296UH090XV60C	5697954
XC14-060-230	TXV	57,500	14.20	12.00	CX34-49	EL296UH110XE60C	5697953
XC14-060-230	TXV	57,000	14.20	12.00	CX34-49	EL296UH110XV60C	5697955

NOTES:

TXV = Matched with Thermostatic Expansion Valve.

RFC = Matched with RFC metering device.

AHRI certified to AHRI Standard 210/240 (with 25 ft. of connecting refrigerant lines); 95°F outdoor air temperature, 80°F db / 67°F wb entering evaporator air.

All ratings include the use of a blower time delay relay (TDR). All Lennox variable-speed furnaces and Air Handlers have time delay capabilities. Other Furnaces and Air Handlers may require an optional time delay relay (**58M81**) for field installation. See furnace or air handler specifications to determine if relay is needed.

Also see Expansion Valve Kit Usage Table.

AHRI SYSTEM MATCHES - ALL REGIONS - 018-024-030-041-042-047-048-060

NOTE - For the latest up-to-date system matches please visit the AHRI web site at <http://www.ahridirectory.org>

Model No.	Expansion Device	Capacity	SEER	EER	Coil or Air Handler	Furnace	AHRI Reference
XC14-060-230	TXV	58,000	14.20	12.00	CX34-49	SL280UH090V60C	5697959
XC14-060-230	TXV	58,000	14.20	12.00	CX34-49	SL280UH090XV60C	5697961
XC14-060-230	TXV	57,500	14.20	12.00	CX34-49	SL280UH110V60C	5697960
XC14-060-230	TXV	57,500	14.20	12.00	CX34-49	SL280UH110XV60C	5697962
XC14-060-230	TXV	57,000	14.20	11.70	CX34-49	SLP98UH090XV60C	5697963
XC14-060-230	TXV	57,000	14.20	12.00	CX34-49	SLP98UH110XV60C	5697964
XC14-060-230	TXV	58,000	14.00	11.70	CX34-49		5697951
XC14-060-230	TXV	56,500	14.20	11.70	CX34-50/60C	EL180UH090E60C	5736989
XC14-060-230	TXV	56,500	14.00	11.70	CX34-50/60C	EL180UH110E60C	5795864
XC14-060-230	TXV	56,500	14.00	11.70	CX34-50/60C	EL180UH110XE60C	5739595
XC14-060-230	TXV	56,500	14.00	11.70	CX34-50/60C	EL195UH110XE60C	5697966
XC14-060-230	TXV	56,500	14.00	11.70	CX34-50/60C	EL296UH110XE60C	5697967
XC14-060-230	TXV	56,500	14.00	11.70	CX34-50/60C	SL280UH090V60C	5697972
XC14-060-230	TXV	56,500	14.00	11.70	CX34-50/60C	SL280UH090XV60C	5697974
XC14-060-230	TXV	58,000	14.50	12.00	CX34-60D	EL180UH135E60D	5745990
XC14-060-230	TXV	58,000	14.00	11.70	CX34-60D	EL195UH135XE60D	5697979
XC14-060-230	TXV	58,000	14.00	11.70	CX34-60D	EL296UH135XE60D	5697980
XC14-060-230	TXV	57,500	14.50	12.00	CX34-60D	EL296UH135XV60D	5697981
XC14-060-230	TXV	57,500	14.70	12.20	CX34-60D	SL280UH135V60D	5697983
XC14-060-230	TXV	57,500	14.50	12.00	CX34-60D	SLP98UH135XV60D	5697984
XC14-060-230	TXV	57,500	14.00	11.70	CX34-60D		5697978
XC14-060-230	TXV	59,000	14.70	12.20	CX34-62C	EL180UH090E60C	5736991
XC14-060-230	TXV	58,500	14.70	12.20	CX34-62C	EL180UH110E60C	5738770
XC14-060-230	TXV	58,500	14.70	12.20	CX34-62C	EL180UH110XE60C	5739597
XC14-060-230	TXV	58,500	14.50	12.00	CX34-62C	EL195UH110XE60C	5697986
XC14-060-230	TXV	58,000	14.50	12.00	CX34-62C	EL296UH090XV60C	5697988
XC14-060-230	TXV	58,500	14.50	12.00	CX34-62C	EL296UH110XE60C	5697987
XC14-060-230	TXV	58,000	14.50	12.20	CX34-62C	EL296UH110XV60C	5697989
XC14-060-230	TXV	59,000	14.70	12.20	CX34-62C	SL280UH090V60C	5697993
XC14-060-230	TXV	59,000	14.70	12.20	CX34-62C	SL280UH090XV60C	5697995
XC14-060-230	TXV	58,500	14.50	12.20	CX34-62C	SL280UH110V60C	5697994
XC14-060-230	TXV	58,500	14.50	12.20	CX34-62C	SL280UH110XV60C	5697996
XC14-060-230	TXV	58,500	14.50	12.00	CX34-62C	SLO185B124/141V60	7110048
XC14-060-230	TXV	58,000	14.50	12.00	CX34-62C	SLP98UH090XV60C	5697997
XC14-060-230	TXV	58,000	14.50	12.20	CX34-62C	SLP98UH110XV60C	5697998
XC14-060-230	TXV	59,000	14.20	12.00	CX34-62C		5697985
XC14-060-230	TXV	58,500	14.50	12.20	CX34-62D	EL180UH135E60D	5745991
XC14-060-230	TXV	58,500	14.20	11.70	CX34-62D	EL195UH135XE60D	5698000
XC14-060-230	TXV	58,500	14.20	11.70	CX34-62D	EL296UH135XE60D	5698001
XC14-060-230	TXV	57,500	14.50	12.00	CX34-62D	EL296UH135XV60D	5698002
XC14-060-230	TXV	58,000	15.00	12.20	CX34-62D	SL280UH135V60D	5698004
XC14-060-230	TXV	57,500	14.50	12.00	CX34-62D	SLP98UH135XV60D	5698005
XC14-060-230	TXV	58,500	14.00	11.70	CX34-62D		5697999
XC14-060-230	TXV	58,000	14.50	12.00	CX35-49C	EL180UH090E60C	8266498
XC14-060-230	TXV	57,500	14.20	12.00	CX35-49C	EL180UH110E60C	8266497
XC14-060-230	TXV	57,500	14.20	12.00	CX35-49C	EL180UH110XE60C	8266496
XC14-060-230	TXV	57,500	14.20	12.00	CX35-49C	EL195UH110XE60C	8266504
XC14-060-230	TXV	57,000	14.20	11.70	CX35-49C	EL296UH090XV60C	8266506
XC14-060-230	TXV	57,500	14.20	12.00	CX35-49C	EL296UH110XE60C	8266505

NOTES:

TXV = Matched with Thermostatic Expansion Valve.

RFC = Matched with RFC metering device.

AHRI certified to AHRI Standard 210/240 (with 25 ft. of connecting refrigerant lines); 95°F outdoor air temperature, 80°F db / 67°F wb entering evaporator air.

All ratings include the use of a blower time delay relay (TDR). All Lennox variable-speed furnaces and Air Handlers have time delay capabilities. Other Furnaces and Air Handlers may require an optional time delay relay (**58M81**) for field installation. See furnace or air handler specifications to determine if relay is needed.

Also see Expansion Valve Kit Usage Table.

AHRI SYSTEM MATCHES - ALL REGIONS - 018-024-030-041-042-047-048-060

NOTE - For the latest up-to-date system matches please visit the AHRI web site at <http://www.ahridirectory.org>

Model No.	Expansion Device	Capacity	SEER	EER	Coil or Air Handler	Furnace	AHRI Reference
XC14-060-230	TXV	57,000	14.20	12.00	CX35-49C	EL296UH110XV60C	8266507
XC14-060-230	TXV	58,000	14.20	12.00	CX35-49C	SL280UH090V60C	8266508
XC14-060-230	TXV	58,000	14.20	12.00	CX35-49C	SL280UH090XV60C	8266500
XC14-060-230	TXV	57,500	14.20	12.00	CX35-49C	SL280UH110V60C	8266499
XC14-060-230	TXV	57,500	14.20	12.00	CX35-49C	SL280UH110XV60C	8266501
XC14-060-230	TXV	57,000	14.20	11.70	CX35-49C	SLP98UH090XV60C	8266502
XC14-060-230	TXV	57,000	14.20	12.00	CX35-49C	SLP98UH110XV60C	8266503
XC14-060-230	TXV	58,000	14.00	11.70	CX35-49C		8266495
XC14-060-230	TXV	56,500	14.20	11.70	CX35-50/60C	EL180UH090E60C	8266511
XC14-060-230	TXV	56,500	14.00	11.70	CX35-50/60C	EL180UH110E60C	8266509
XC14-060-230	TXV	56,500	14.00	11.70	CX35-50/60C	EL180UH110XE60C	8266510
XC14-060-230	TXV	56,500	14.00	11.70	CX35-50/60C	EL195UH110XE60C	8266515
XC14-060-230	TXV	56,500	14.00	11.70	CX35-50/60C	EL296UH110XE60C	8266512
XC14-060-230	TXV	56,500	14.00	11.70	CX35-50/60C	SL280UH090V60C	8266513
XC14-060-230	TXV	56,500	14.00	11.70	CX35-50/60C	SL280UH090XV60C	8266514
XC14-060-230	TXV	59,000	14.70	12.20	CX35-60C	EL180UH090E60C	8266520
XC14-060-230	TXV	58,500	14.70	12.20	CX35-60C	EL180UH110E60C	8266519
XC14-060-230	TXV	58,500	14.70	12.20	CX35-60C	EL180UH110XE60C	8266518
XC14-060-230	TXV	58,500	14.50	12.00	CX35-60C	EL195UH110XE60C	8266527
XC14-060-230	TXV	58,000	14.50	12.00	CX35-60C	EL296UH090XV60C	8266529
XC14-060-230	TXV	58,500	14.50	12.00	CX35-60C	EL296UH110XE60C	8266528
XC14-060-230	TXV	58,000	14.50	12.20	CX35-60C	EL296UH110XV60C	8266530
XC14-060-230	TXV	59,000	14.70	12.20	CX35-60C	SL280UH090V60C	8266521
XC14-060-230	TXV	59,000	14.70	12.20	CX35-60C	SL280UH090XV60C	8266523
XC14-060-230	TXV	58,500	14.50	12.20	CX35-60C	SL280UH110V60C	8266522
XC14-060-230	TXV	58,500	14.50	12.20	CX35-60C	SL280UH110XV60C	8266524
XC14-060-230	TXV	58,500	14.50	12.00	CX35-60C	SLO185B124/141V60	8266517
XC14-060-230	TXV	58,000	14.50	12.00	CX35-60C	SLP98UH090XV60C	8266525
XC14-060-230	TXV	58,000	14.50	12.20	CX35-60C	SLP98UH110XV60C	8266526
XC14-060-230	TXV	59,000	14.20	12.00	CX35-60C		8266516
XC14-060-230	TXV	58,500	14.50	12.20	CX35-60D	EL180UH135E60D	8266532
XC14-060-230	TXV	58,500	14.20	11.70	CX35-60D	EL195UH135XE60D	8266533
XC14-060-230	TXV	58,500	14.20	11.70	CX35-60D	EL296UH135XE60D	8266534
XC14-060-230	TXV	57,500	14.50	12.00	CX35-60D	EL296UH135XV60D	8266535
XC14-060-230	TXV	58,000	15.00	12.20	CX35-60D	SL280UH135V60D	8266536
XC14-060-230	TXV	57,500	14.50	12.00	CX35-60D	SLP98UH135XV60D	8266537
XC14-060-230	TXV	58,500	14.00	11.70	CX35-60D		8266531

NOTES:

TXV = Matched with Thermostatic Expansion Valve.

RFC = Matched with RFC metering device.

AHRI certified to AHRI Standard 210/240 (with 25 ft. of connecting refrigerant lines); 95°F outdoor air temperature, 80°F db / 67°F wb entering evaporator air.

All ratings include the use of a blower time delay relay (TDR). All Lennox variable-speed furnaces and Air Handlers have time delay capabilities. Other Furnaces and Air Handlers may require an optional time delay relay (**58M81**) for field installation. See furnace or air handler specifications to determine if relay is needed.

Also see Expansion Valve Kit Usage Table.

AHRI SYSTEM MATCHES - NORTH / SOUTH REGIONS - S036

NOTE - For the latest up-to-date system matches please visit the AHRI web site at <http://www.ahridirectory.org>

Model No.	Expansion Device	Capacity	SEER	EER	Coil or Air Handler	Furnace	AHRI Reference
XC14S036-230A	RFC	33,600	14.00	12.00	C33-31A		7783230
XC14S036-230A	RFC	33,600	14.00	12.00	C33-31B		7783231
XC14S036-230A	RFC	34,000	14.00	12.00	C33-38A		7783261
XC14S036-230A	RFC	34,000	14.00	12.00	C33-38B		7628714
XC14S036-230A	RFC	34,000	14.25	12.20	C33-43		7783242
XC14S036-230A	RFC	33,600	14.00	12.00	C33-48		7628578
XC14S036-230A	RFC	34,400	14.25	12.20	C33-49		7783237
XC14S036-230A	RFC	34,000	14.25	12.20	C33-50/60C		7783259
XC14S036-230A	RFC	33,600	14.00	12.00	C35-30A		8471070
XC14S036-230A	RFC	33,600	14.00	12.00	C35-30B		8471071
XC14S036-230A	RFC	34,000	14.00	12.00	C35-36A		8471072
XC14S036-230A	RFC	34,000	14.00	12.00	C35-36B		8471073
XC14S036-230A	RFC	34,000	14.00	12.00	C35-48B		8471074
XC14S036-230A	RFC	34,000	14.00	12.00	C35-48C		8471075
XC14S036-230A	RFC	34,400	14.00	12.20	C35-49C		8471076
XC14S036-230A	RFC	34,000	14.00	12.20	C35-50/60C		8471077
XC14S036-230A	RFC	33,800	14.00	12.20	CH33-31B		7628689
XC14S036-230A	RFC	34,600	14.50	12.20	CH33-43B		7628671
XC14S036-230A	RFC	34,000	14.25	12.20	CH33-44/48B		7628678
XC14S036-230A	RFC	34,000	14.25	12.20	CH33-48		7783238
XC14S036-230A	RFC	34,600	14.50	12.20	CH33-49		7628590
XC14S036-230A	RFC	34,400	14.25	12.20	CH33-50/60C		7783254
XC14S036-230A	RFC	33,600	14.00	12.00	CR33-48B		7628558
XC14S036-230A	RFC	33,800	14.00	12.00	CR33-48C		7628565
XC14S036-230A	TXV	34,200	15.10	12.50	C33-31A	EL180UH045E36A	7628725
XC14S036-230A	TXV	34,200	15.10	12.50	C33-31A	EL180UH045XE36A	7783262
XC14S036-230A	TXV	34,400	15.10	12.50	C33-31A	SL280UH070V36A	7628719
XC14S036-230A	TXV	34,400	15.10	12.50	C33-31A	SL280UH070XV36A	7628722
XC14S036-230A	TXV	34,000	14.50	12.00	C33-31A		7628546
XC14S036-230A	TXV	34,400	15.00	12.50	C33-31B	EL180UH070E36B	7783660
XC14S036-230A	TXV	34,400	15.00	12.50	C33-31B	EL180UH070XE36B	7629926
XC14S036-230A	TXV	34,400	15.50	12.50	C33-31B	EL180UH090E48B	7783661
XC14S036-230A	TXV	34,400	15.50	12.50	C33-31B	EL180UH090XE48B	7629929
XC14S036-230A	TXV	34,000	14.50	12.20	C33-31B	EL195UH045XE36B	7783662
XC14S036-230A	TXV	34,000	15.10	12.50	C33-31B	EL195UH070XE36B	7783657
XC14S036-230A	TXV	34,000	14.50	12.20	C33-31B	EL296UH045XE36B	7629914
XC14S036-230A	TXV	34,200	15.10	12.50	C33-31B	EL296UH045XV36B	7783658
XC14S036-230A	TXV	34,000	15.10	12.50	C33-31B	EL296UH070XE36B	7629917
XC14S036-230A	TXV	34,200	15.10	12.50	C33-31B	EL296UH070XV36B	7629920
XC14S036-230A	TXV	34,400	15.50	12.50	C33-31B	SL280UH090V36B	7628728
XC14S036-230A	TXV	34,400	15.50	12.50	C33-31B	SL280UH090V48B	7783263
XC14S036-230A	TXV	34,400	15.50	12.50	C33-31B	SL280UH090XV48B	7629923
XC14S036-230A	TXV	34,200	15.10	12.50	C33-31B	SLP98UH070XV36B	7783659
XC14S036-230A	TXV	34,000	14.50	12.00	C33-31B		7628552
XC14S036-230A	TXV	33,200	14.50	12.20	C33-36A	EL180UH045E36A	7629908
XC14S036-230A	TXV	33,200	14.50	12.20	C33-36A	EL180UH045XE36A	7783655
XC14S036-230A	TXV	33,400	15.00	12.20	C33-36A	SL280UH070V36A	7629905
XC14S036-230A	TXV	33,400	15.00	12.20	C33-36A	SL280UH070XV36A	7783654
XC14S036-230A	TXV	33,000	14.00	11.50	C33-36A		7783233

NOTES:

TXV = Matched with Thermostatic Expansion Valve.

RFC = Matched with RFC metering device.

AHRI certified to AHRI Standard 210/240 (with 25 ft. of connecting refrigerant lines); 95°F outdoor air temperature, 80°F db / 67°F wb entering evaporator air.

All ratings include the use of a blower time delay relay (TDR). All Lennox variable-speed furnaces and Air Handlers have time delay capabilities. Other Furnaces and Air Handlers may require an optional time delay relay (**58M81**) for field installation. See furnace or air handler specifications to determine if relay is needed.

Also see Expansion Valve Kit Usage Table.

AHRI SYSTEM MATCHES - NORTH / SOUTH REGIONS - S036

NOTE - For the latest up-to-date system matches please visit the AHRI web site at <http://www.ahridirectory.org>

Model No.	Expansion Device	Capacity	SEER	EER	Coil or Air Handler	Furnace	AHRI Reference
XC14S036-230A	TXV	33,400	15.50	12.50	C33-36B	EL180UH070E36B	7783651
XC14S036-230A	TXV	33,400	15.50	12.50	C33-36B	EL180UH070XE36B	7629899
XC14S036-230A	TXV	33,400	15.10	12.50	C33-36B	EL180UH090E48B	7783652
XC14S036-230A	TXV	33,400	15.10	12.50	C33-36B	EL180UH090XE48B	7629902
XC14S036-230A	TXV	33,000	15.00	12.50	C33-36B	EL195UH045XE36B	7783653
XC14S036-230A	TXV	33,200	14.50	12.00	C33-36B	EL195UH070XE36B	7783648
XC14S036-230A	TXV	33,000	15.00	12.50	C33-36B	EL296UH045XE36B	7629887
XC14S036-230A	TXV	33,400	15.00	12.50	C33-36B	EL296UH045XV36B	7783649
XC14S036-230A	TXV	33,200	14.50	12.00	C33-36B	EL296UH070XE36B	7629890
XC14S036-230A	TXV	33,400	15.00	12.50	C33-36B	EL296UH070XV36B	7629893
XC14S036-230A	TXV	33,600	15.50	12.50	C33-36B	SL280UH090V36B	7629911
XC14S036-230A	TXV	33,600	15.50	12.50	C33-36B	SL280UH090V48B	7783656
XC14S036-230A	TXV	33,600	15.50	12.50	C33-36B	SL280UH090XV48B	7629896
XC14S036-230A	TXV	33,400	15.00	12.50	C33-36B	SLP98UH070XV36B	7783650
XC14S036-230A	TXV	33,000	14.00	11.50	C33-36B		7783260
XC14S036-230A	TXV	33,600	15.10	12.50	C33-36C	EL180UH090E60C	7629878
XC14S036-230A	TXV	33,400	15.50	12.50	C33-36C	EL180UH110E60C	7783645
XC14S036-230A	TXV	33,400	15.50	12.50	C33-36C	EL180UH110XE60C	7629881
XC14S036-230A	TXV	33,200	15.10	12.50	C33-36C	EL195UH090XE48C	7783646
XC14S036-230A	TXV	33,600	15.10	12.50	C33-36C	EL195UH110XE60C	7783647
XC14S036-230A	TXV	33,200	15.10	12.50	C33-36C	EL296UH090XE48C	7629884
XC14S036-230A	TXV	33,600	15.50	12.50	C33-36C	EL296UH090XV36C	7629870
XC14S036-230A	TXV	33,400	15.50	12.50	C33-36C	EL296UH090XV48C	7629873
XC14S036-230A	TXV	33,600	15.10	12.50	C33-36C	EL296UH110XE60C	7783642
XC14S036-230A	TXV	33,600	15.50	12.50	C33-36C	EL296UH110XV48C	7629876
XC14S036-230A	TXV	33,600	15.50	12.50	C33-36C	SLP98UH090XV36C	7783643
XC14S036-230A	TXV	33,400	15.50	12.50	C33-36C	SLP98UH090XV48C	7783644
XC14S036-230A	TXV	33,800	15.50	12.50	C33-36C	SLP98UH110XV60C	7783348
XC14S036-230A	TXV	33,000	14.00	11.50	C33-36C		7628708
XC14S036-230A	TXV	34,400	15.10	12.50	C33-38A	EL180UH045E36A	7783640
XC14S036-230A	TXV	34,400	15.10	12.50	C33-38A	EL180UH045XE36A	7629864
XC14S036-230A	TXV	34,600	15.50	12.50	C33-38A	SL280UH070V36A	7783639
XC14S036-230A	TXV	34,600	15.50	12.50	C33-38A	SL280UH070XV36A	7629861
XC14S036-230A	TXV	34,200	14.25	12.20	C33-38A		7628711
XC14S036-230A	TXV	34,600	16.00	13.00	C33-38B	EL180UH070E36B	7629852
XC14S036-230A	TXV	34,600	16.00	13.00	C33-38B	EL180UH070XE36B	7783637
XC14S036-230A	TXV	34,600	16.00	13.00	C33-38B	EL180UH090E48B	7629855
XC14S036-230A	TXV	34,600	16.00	13.00	C33-38B	EL180UH090XE48B	7783638
XC14S036-230A	TXV	34,400	15.00	12.50	C33-38B	EL195UH045XE36B	7629858
XC14S036-230A	TXV	34,400	15.00	12.50	C33-38B	EL195UH070XE36B	7629843
XC14S036-230A	TXV	34,400	15.00	12.50	C33-38B	EL296UH045XE36B	7783633
XC14S036-230A	TXV	34,600	15.50	12.50	C33-38B	EL296UH045XV36B	7629846
XC14S036-230A	TXV	34,400	15.00	12.50	C33-38B	EL296UH070XE36B	7783634
XC14S036-230A	TXV	34,600	15.50	12.50	C33-38B	EL296UH070XV36B	7783635
XC14S036-230A	TXV	34,800	16.00	13.00	C33-38B	SL280UH090V36B	7783641
XC14S036-230A	TXV	34,800	16.00	13.00	C33-38B	SL280UH090V48B	7629867
XC14S036-230A	TXV	34,800	16.00	13.00	C33-38B	SL280UH090XV48B	7783636
XC14S036-230A	TXV	34,600	15.50	12.50	C33-38B	SLP98UH070XV36B	7629849
XC14S036-230A	TXV	34,200	14.25	12.20	C33-38B		7628717

NOTES:

TXV = Matched with Thermostatic Expansion Valve.

RFC = Matched with RFC metering device.

AHRI certified to AHRI Standard 210/240 (with 25 ft. of connecting refrigerant lines); 95°F outdoor air temperature, 80°F db / 67°F wb entering evaporator air.

All ratings include the use of a blower time delay relay (TDR). All Lennox variable-speed furnaces and Air Handlers have time delay capabilities. Other Furnaces and Air Handlers may require an optional time delay relay (**58M81**) for field installation. See furnace or air handler specifications to determine if relay is needed.

Also see Expansion Valve Kit Usage Table.

AHRI SYSTEM MATCHES - NORTH / SOUTH REGIONS - S036

NOTE - For the latest up-to-date system matches please visit the AHRI web site at <http://www.ahridirectory.org>

Model No.	Expansion Device	Capacity	SEER	EER	Coil or Air Handler	Furnace	AHRI Reference
XC14S036-230A	TXV	33,400	15.50	12.50	C33-42	EL180UH070E36B	7783344
XC14S036-230A	TXV	33,400	15.50	12.50	C33-42	EL180UH070XE36B	7628913
XC14S036-230A	TXV	33,400	15.10	12.50	C33-42	EL180UH090E48B	7783345
XC14S036-230A	TXV	33,400	15.10	12.50	C33-42	EL180UH090XE48B	7628916
XC14S036-230A	TXV	33,000	15.00	12.50	C33-42	EL195UH045XE36B	7783346
XC14S036-230A	TXV	33,200	14.50	12.00	C33-42	EL195UH070XE36B	7783341
XC14S036-230A	TXV	33,000	15.00	12.50	C33-42	EL296UH045XE36B	7628919
XC14S036-230A	TXV	33,400	15.00	12.50	C33-42	EL296UH045XV36B	7783342
XC14S036-230A	TXV	33,200	14.50	12.00	C33-42	EL296UH070XE36B	7628904
XC14S036-230A	TXV	33,400	15.00	12.50	C33-42	EL296UH070XV36B	7628907
XC14S036-230A	TXV	33,600	15.50	12.50	C33-42	SL280UH090V36B	7628925
XC14S036-230A	TXV	33,600	15.50	12.50	C33-42	SL280UH090V48B	7783349
XC14S036-230A	TXV	33,600	15.50	12.50	C33-42	SL280UH090XV48B	7628928
XC14S036-230A	TXV	33,400	15.00	12.50	C33-42	SLP98UH070XV36B	7783343
XC14S036-230A	TXV	33,000	14.00	11.50	C33-42		7628609
XC14S036-230A	TXV	34,800	16.00	13.00	C33-43B	EL180UH070E36B	7629837
XC14S036-230A	TXV	34,800	16.00	13.00	C33-43B	EL180UH070XE36B	7783632
XC14S036-230A	TXV	34,800	16.00	13.00	C33-43B	EL180UH090E48B	7629840
XC14S036-230A	TXV	34,800	16.00	13.00	C33-43B	EL180UH090XE48B	7783627
XC14S036-230A	TXV	34,400	15.00	12.50	C33-43B	EL195UH045XE36B	7629825
XC14S036-230A	TXV	34,600	15.10	12.50	C33-43B	EL195UH070XE36B	7629828
XC14S036-230A	TXV	34,400	15.00	12.50	C33-43B	EL296UH045XE36B	7783628
XC14S036-230A	TXV	34,800	15.50	12.50	C33-43B	EL296UH045XV36B	7629831
XC14S036-230A	TXV	34,600	15.10	12.50	C33-43B	EL296UH070XE36B	7783629
XC14S036-230A	TXV	34,800	15.50	12.50	C33-43B	EL296UH070XV36B	7783623
XC14S036-230A	TXV	34,800	16.00	13.00	C33-43B	SL280UH090V36B	7783630
XC14S036-230A	TXV	35,000	16.00	13.00	C33-43B	SL280UH090V48B	7629834
XC14S036-230A	TXV	35,000	16.00	13.00	C33-43B	SL280UH090XV48B	7783631
XC14S036-230A	TXV	34,800	15.50	12.50	C33-43B	SLP98UH070XV36B	7629816
XC14S036-230A	TXV	34,400	14.50	12.20	C33-43B		7783257
XC14S036-230A	TXV	34,800	16.00	13.00	C33-43C	EL180UH090E60C	7783620
XC14S036-230A	TXV	34,800	16.00	13.00	C33-43C	EL180UH110E60C	7629807
XC14S036-230A	TXV	34,800	16.00	13.00	C33-43C	EL180UH110XE60C	7783621
XC14S036-230A	TXV	34,600	15.50	12.50	C33-43C	EL195UH090XE48C	7629810
XC14S036-230A	TXV	34,800	16.00	13.00	C33-43C	EL195UH110XE60C	7629813
XC14S036-230A	TXV	34,600	15.50	12.50	C33-43C	EL296UH090XE48C	7783622
XC14S036-230A	TXV	34,800	16.00	13.00	C33-43C	EL296UH090XV36C	7629798
XC14S036-230A	TXV	34,800	16.00	13.00	C33-43C	EL296UH090XV48C	7629801
XC14S036-230A	TXV	34,800	16.00	13.00	C33-43C	EL296UH110XE60C	7783617
XC14S036-230A	TXV	35,000	16.00	13.00	C33-43C	EL296UH110XV48C	7629804
XC14S036-230A	TXV	35,200	16.00	13.00	C33-43C	EL296UH110XV60C	7783614
XC14S036-230A	TXV	35,400	16.00	13.00	C33-43C	SL280UH090V60C	7783624
XC14S036-230A	TXV	35,400	16.00	13.00	C33-43C	SL280UH090XV60C	7629819
XC14S036-230A	TXV	35,200	16.00	13.00	C33-43C	SL280UH110V60C	7783625
XC14S036-230A	TXV	35,200	16.00	13.00	C33-43C	SL280UH110XV60C	7629822
XC14S036-230A	TXV	34,800	16.00	13.00	C33-43C	SLP98UH090XV36C	7783618
XC14S036-230A	TXV	34,800	16.00	13.00	C33-43C	SLP98UH090XV48C	7783619
XC14S036-230A	TXV	35,200	16.00	13.00	C33-43C	SLP98UH110XV60C	7629789
XC14S036-230A	TXV	34,400	14.50	12.20	C33-43C		7628698

NOTES:

TXV = Matched with Thermostatic Expansion Valve.

RFC = Matched with RFC metering device.

AHRI certified to AHRI Standard 210/240 (with 25 ft. of connecting refrigerant lines); 95°F outdoor air temperature, 80°F db / 67°F wb entering evaporator air.

All ratings include the use of a blower time delay relay (TDR). All Lennox variable-speed furnaces and Air Handlers have time delay capabilities. Other Furnaces and Air Handlers may require an optional time delay relay (**58M81**) for field installation. See furnace or air handler specifications to determine if relay is needed.

Also see Expansion Valve Kit Usage Table.

AHRI SYSTEM MATCHES - NORTH / SOUTH REGIONS - S036

NOTE - For the latest up-to-date system matches please visit the AHRI web site at <http://www.ahridirectory.org>

Model No.	Expansion Device	Capacity	SEER	EER	Coil or Air Handler	Furnace	AHRI Reference
XC14S036-230A	TXV	34,200	16.00	13.00	C33-48B	EL180UH070E36B	7629795
XC14S036-230A	TXV	34,200	16.00	13.00	C33-48B	EL180UH070XE36B	7783611
XC14S036-230A	TXV	34,200	15.50	12.50	C33-48B	EL180UH090E48B	7629780
XC14S036-230A	TXV	34,200	15.50	12.50	C33-48B	EL180UH090XE48B	7783612
XC14S036-230A	TXV	33,800	15.10	12.50	C33-48B	EL195UH045XE36B	7629783
XC14S036-230A	TXV	34,200	15.00	12.50	C33-48B	EL195UH070XE36B	7629786
XC14S036-230A	TXV	33,800	15.10	12.50	C33-48B	EL296UH045XE36B	7783613
XC14S036-230A	TXV	34,200	15.10	12.50	C33-48B	EL296UH045XV36B	7629771
XC14S036-230A	TXV	34,200	15.00	12.50	C33-48B	EL296UH070XE36B	7783608
XC14S036-230A	TXV	34,200	15.10	12.50	C33-48B	EL296UH070XV36B	7783609
XC14S036-230A	TXV	34,400	16.00	13.00	C33-48B	SL280UH090V36B	7783615
XC14S036-230A	TXV	34,400	16.00	13.00	C33-48B	SL280UH090V48B	7629792
XC14S036-230A	TXV	34,400	16.00	13.00	C33-48B	SL280UH090XV48B	7783616
XC14S036-230A	TXV	34,000	15.10	12.50	C33-48B	SLP98UH070XV36B	7629774
XC14S036-230A	TXV	33,800	14.50	12.00	C33-48B		7783258
XC14S036-230A	TXV	34,200	15.10	12.50	C33-48C	EL195UH090XE48C	7783610
XC14S036-230A	TXV	34,400	15.50	12.50	C33-48C	EL195UH110XE60C	7783605
XC14S036-230A	TXV	34,200	15.10	12.50	C33-48C	EL296UH090XE48C	7629777
XC14S036-230A	TXV	34,400	15.50	12.50	C33-48C	EL296UH090XV36C	7783606
XC14S036-230A	TXV	34,400	15.50	12.50	C33-48C	EL296UH090XV48C	7783607
XC14S036-230A	TXV	34,400	15.50	12.50	C33-48C	EL296UH110XE60C	7629761
XC14S036-230A	TXV	34,400	15.50	12.50	C33-48C	SLP98UH090XV36C	7629765
XC14S036-230A	TXV	34,400	15.50	12.50	C33-48C	SLP98UH090XV48C	7629768
XC14S036-230A	TXV	33,800	14.50	12.00	C33-48C		7628701
XC14S036-230A	TXV	35,200	16.00	13.00	C33-49	EL180UH090E60C	7628898
XC14S036-230A	TXV	35,000	16.00	13.00	C33-49	EL180UH110E60C	7783340
XC14S036-230A	TXV	35,000	16.00	13.00	C33-49	EL180UH110XE60C	7628901
XC14S036-230A	TXV	34,800	16.00	13.00	C33-49	EL195UH090XE48C	7783335
XC14S036-230A	TXV	35,200	16.00	13.00	C33-49	EL195UH110XE60C	7783336
XC14S036-230A	TXV	34,800	16.00	13.00	C33-49	EL296UH090XE48C	7628886
XC14S036-230A	TXV	35,200	16.00	13.00	C33-49	EL296UH090XV36C	7783337
XC14S036-230A	TXV	35,000	16.00	13.00	C33-49	EL296UH090XV48C	7783327
XC14S036-230A	TXV	35,200	16.00	13.00	C33-49	EL296UH110XE60C	7628889
XC14S036-230A	TXV	35,200	16.00	13.00	C33-49	EL296UH110XV48C	7783330
XC14S036-230A	TXV	35,600	16.00	13.00	C33-49	EL296UH110XV60C	7628880
XC14S036-230A	TXV	35,600	16.00	13.00	C33-49	SL280UH090V60C	7628910
XC14S036-230A	TXV	35,600	16.00	13.00	C33-49	SL280UH090XV60C	7783338
XC14S036-230A	TXV	35,400	16.00	13.00	C33-49	SL280UH110V60C	7628895
XC14S036-230A	TXV	35,400	16.00	13.00	C33-49	SL280UH110XV60C	7783339
XC14S036-230A	TXV	35,200	16.00	13.00	C33-49	SLP98UH090XV36C	7628892
XC14S036-230A	TXV	35,000	16.00	13.00	C33-49	SLP98UH090XV48C	7628877
XC14S036-230A	TXV	35,600	16.00	13.00	C33-49	SLP98UH110XV60C	7783332
XC14S036-230A	TXV	34,600	14.50	12.20	C33-49		7628584
XC14S036-230A	TXV	34,800	16.00	13.00	C33-50/60C	EL180UH090E60C	7783604
XC14S036-230A	TXV	34,800	16.00	13.00	C33-50/60C	EL180UH110E60C	7629758
XC14S036-230A	TXV	34,800	16.00	13.00	C33-50/60C	EL180UH110XE60C	7629739
XC14S036-230A	TXV	34,600	15.50	12.50	C33-50/60C	EL195UH090XE48C	7783601
XC14S036-230A	TXV	34,800	16.00	13.00	C33-50/60C	EL195UH110XE60C	7629744
XC14S036-230A	TXV	34,600	15.50	12.50	C33-50/60C	EL296UH090XE48C	7629743

NOTES:

TXV = Matched with Thermostatic Expansion Valve.

RFC = Matched with RFC metering device.

AHRI certified to AHRI Standard 210/240 (with 25 ft. of connecting refrigerant lines); 95°F outdoor air temperature, 80°F db / 67°F wb entering evaporator air.

All ratings include the use of a blower time delay relay (TDR). All Lennox variable-speed furnaces and Air Handlers have time delay capabilities. Other Furnaces and Air Handlers may require an optional time delay relay (**58M81**) for field installation. See furnace or air handler specifications to determine if relay is needed.

Also see Expansion Valve Kit Usage Table.

AHRI SYSTEM MATCHES - NORTH / SOUTH REGIONS - S036

NOTE - For the latest up-to-date system matches please visit the AHRI web site at <http://www.ahridirectory.org>

Model No.	Expansion Device	Capacity	SEER	EER	Coil or Air Handler	Furnace	AHRI Reference
XC14S036-230A	TXV	34,800	16.00	13.00	C33-50/60C	EL296UH090XV36C	7629748
XC14S036-230A	TXV	34,800	16.00	13.00	C33-50/60C	EL296UH090XV48C	7783598
XC14S036-230A	TXV	34,800	16.00	13.00	C33-50/60C	EL296UH110XE60C	7783602
XC14S036-230A	TXV	35,000	16.00	13.00	C33-50/60C	EL296UH110XV48C	7783599
XC14S036-230A	TXV	35,200	16.00	13.00	C33-50/60C	EL296UH110XV60C	7629736
XC14S036-230A	TXV	35,200	16.00	13.00	C33-50/60C	SL280UH090V60C	7629751
XC14S036-230A	TXV	35,200	16.00	13.00	C33-50/60C	SL280UH090XV60C	7629752
XC14S036-230A	TXV	35,000	16.00	13.00	C33-50/60C	SL280UH110V60C	7783603
XC14S036-230A	TXV	35,000	16.00	13.00	C33-50/60C	SL280UH110XV60C	7629755
XC14S036-230A	TXV	34,800	16.00	13.00	C33-50/60C	SLP98UH090XV36C	7629730
XC14S036-230A	TXV	34,800	16.00	13.00	C33-50/60C	SLP98UH090XV48C	7629734
XC14S036-230A	TXV	35,200	16.00	13.00	C33-50/60C	SLP98UH110XV60C	7783600
XC14S036-230A	TXV	34,200	14.50	12.20	C33-50/60C		7628704
XC14S036-230A	TXV	33,200	14.50	12.20	C35-30/36A	EL180UH045E36A	8263274
XC14S036-230A	TXV	33,200	14.50	12.20	C35-30/36A	EL180UH045XE36A	8263277
XC14S036-230A	TXV	33,400	15.00	12.20	C35-30/36A	SL280UH070V36A	8263273
XC14S036-230A	TXV	33,400	15.00	12.20	C35-30/36A	SL280UH070XV36A	8263276
XC14S036-230A	TXV	33,000	14.00	11.50	C35-30/36A		8263272
XC14S036-230A	TXV	33,400	15.50	12.50	C35-30/36B	EL180UH070E36B	8263284
XC14S036-230A	TXV	33,400	15.50	12.50	C35-30/36B	EL180UH070XE36B	8263294
XC14S036-230A	TXV	33,400	15.10	12.50	C35-30/36B	EL180UH090E48B	8263286
XC14S036-230A	TXV	33,400	15.10	12.50	C35-30/36B	EL180UH090XE48B	8263296
XC14S036-230A	TXV	33,000	15.00	12.50	C35-30/36B	EL195UH045XE36B	8263287
XC14S036-230A	TXV	33,200	14.50	12.00	C35-30/36B	EL195UH070XE36B	8263289
XC14S036-230A	TXV	33,000	15.00	12.50	C35-30/36B	EL296UH045XE36B	8263297
XC14S036-230A	TXV	33,400	15.00	12.50	C35-30/36B	EL296UH045XV36B	8263291
XC14S036-230A	TXV	33,200	14.50	12.00	C35-30/36B	EL296UH070XE36B	8263299
XC14S036-230A	TXV	33,400	15.00	12.50	C35-30/36B	EL296UH070XV36B	8263300
XC14S036-230A	TXV	33,600	15.50	12.50	C35-30/36B	SL280UH090V36B	8263302
XC14S036-230A	TXV	33,600	15.50	12.50	C35-30/36B	SL280UH090V48B	8263282
XC14S036-230A	TXV	33,600	15.50	12.50	C35-30/36B	SL280UH090XV48B	8263292
XC14S036-230A	TXV	33,400	15.00	12.50	C35-30/36B	SLP98UH070XV36B	8263281
XC14S036-230A	TXV	33,000	14.00	11.50	C35-30/36B		8263279
XC14S036-230A	TXV	33,600	15.10	12.50	C35-30/36C	EL180UH090E60C	8263307
XC14S036-230A	TXV	33,400	15.50	12.50	C35-30/36C	EL180UH110E60C	8263317
XC14S036-230A	TXV	33,400	15.50	12.50	C35-30/36C	EL180UH110XE60C	8263309
XC14S036-230A	TXV	33,200	15.10	12.50	C35-30/36C	EL195UH090XE48C	8263319
XC14S036-230A	TXV	33,600	15.10	12.50	C35-30/36C	EL195UH110XE60C	8263320
XC14S036-230A	TXV	33,200	15.10	12.50	C35-30/36C	EL296UH090XE48C	8263310
XC14S036-230A	TXV	33,600	15.50	12.50	C35-30/36C	EL296UH090XV36C	8263322
XC14S036-230A	TXV	33,400	15.50	12.50	C35-30/36C	EL296UH090XV48C	8263324
XC14S036-230A	TXV	33,600	15.10	12.50	C35-30/36C	EL296UH110XE60C	8263312
XC14S036-230A	TXV	33,600	15.50	12.50	C35-30/36C	EL296UH110XV48C	8263325
XC14S036-230A	TXV	33,600	15.50	12.50	C35-30/36C	SLP98UH090XV36C	8263314
XC14S036-230A	TXV	33,400	15.50	12.50	C35-30/36C	SLP98UH090XV48C	8263305
XC14S036-230A	TXV	33,800	15.50	12.50	C35-30/36C	SLP98UH110XV60C	8263315
XC14S036-230A	TXV	33,000	14.00	11.50	C35-30/36C		8263304
XC14S036-230A	TXV	34,200	15.10	12.50	C35-30A	EL180UH045E36A	8263245
XC14S036-230A	TXV	34,200	15.10	12.50	C35-30A	EL180UH045XE36A	8263242

NOTES:

TXV = Matched with Thermostatic Expansion Valve.

RFC = Matched with RFC metering device.

AHRI certified to AHRI Standard 210/240 (with 25 ft. of connecting refrigerant lines); 95°F outdoor air temperature, 80°F db / 67°F wb entering evaporator air.

All ratings include the use of a blower time delay relay (TDR). All Lennox variable-speed furnaces and Air Handlers have time delay capabilities. Other Furnaces and Air Handlers may require an optional time delay relay (**58M81**) for field installation. See furnace or air handler specifications to determine if relay is needed.

Also see Expansion Valve Kit Usage Table.

AHRI SYSTEM MATCHES - NORTH / SOUTH REGIONS - S036

NOTE - For the latest up-to-date system matches please visit the AHRI web site at <http://www.ahridirectory.org>

Model No.	Expansion Device	Capacity	SEER	EER	Coil or Air Handler	Furnace	AHRI Reference
XC14S036-230A	TXV	34,400	15.10	12.50	C35-30A	SL280UH070V36A	8263244
XC14S036-230A	TXV	34,400	15.10	12.50	C35-30A	SL280UH070XV36A	8263240
XC14S036-230A	TXV	34,000	14.50	12.00	C35-30A		8263239
XC14S036-230A	TXV	34,400	15.00	12.50	C35-30B	EL180UH070E36B	8263263
XC14S036-230A	TXV	34,400	15.00	12.50	C35-30B	EL180UH070XE36B	8263252
XC14S036-230A	TXV	34,400	15.50	12.50	C35-30B	EL180UH090E48B	8263265
XC14S036-230A	TXV	34,400	15.50	12.50	C35-30B	EL180UH090XE48B	8263253
XC14S036-230A	TXV	34,000	14.50	12.20	C35-30B	EL195UH045XE36B	8263255
XC14S036-230A	TXV	34,000	15.10	12.50	C35-30B	EL195UH070XE36B	8263257
XC14S036-230A	TXV	34,000	14.50	12.20	C35-30B	EL296UH045XE36B	8263267
XC14S036-230A	TXV	34,200	15.10	12.50	C35-30B	EL296UH045XV36B	8263258
XC14S036-230A	TXV	34,000	15.10	12.50	C35-30B	EL296UH070XE36B	8263268
XC14S036-230A	TXV	34,200	15.10	12.50	C35-30B	EL296UH070XV36B	8263270
XC14S036-230A	TXV	34,400	15.50	12.50	C35-30B	SL280UH090V36B	8263249
XC14S036-230A	TXV	34,400	15.50	12.50	C35-30B	SL280UH090V48B	8263262
XC14S036-230A	TXV	34,400	15.50	12.50	C35-30B	SL280UH090XV48B	8263250
XC14S036-230A	TXV	34,200	15.10	12.50	C35-30B	SLP98UH070XV36B	8263260
XC14S036-230A	TXV	34,000	14.50	12.00	C35-30B		8263247
XC14S036-230A	TXV	34,400	15.10	12.50	C35-36A	EL180UH045E36A	8263331
XC14S036-230A	TXV	34,400	15.10	12.50	C35-36A	EL180UH045XE36A	8263334
XC14S036-230A	TXV	34,600	15.50	12.50	C35-36A	SL280UH070V36A	8263329
XC14S036-230A	TXV	34,600	15.50	12.50	C35-36A	SL280UH070XV36A	8263332
XC14S036-230A	TXV	34,200	14.25	12.20	C35-36A		8263327
XC14S036-230A	TXV	34,600	16.00	13.00	C35-36B	EL180UH070E36B	8263341
XC14S036-230A	TXV	34,600	16.00	13.00	C35-36B	EL180UH070XE36B	8263359
XC14S036-230A	TXV	34,600	16.00	13.00	C35-36B	EL180UH090E48B	8263346
XC14S036-230A	TXV	34,600	16.00	13.00	C35-36B	EL180UH090XE48B	8263342
XC14S036-230A	TXV	34,400	15.00	12.50	C35-36B	EL195UH045XE36B	8263347
XC14S036-230A	TXV	34,400	15.00	12.50	C35-36B	EL195UH070XE36B	8263349
XC14S036-230A	TXV	34,400	15.00	12.50	C35-36B	EL296UH045XE36B	8263344
XC14S036-230A	TXV	34,600	15.50	12.50	C35-36B	EL296UH045XV36B	8263337
XC14S036-230A	TXV	34,400	15.00	12.50	C35-36B	EL296UH070XE36B	8263351
XC14S036-230A	TXV	34,600	15.50	12.50	C35-36B	EL296UH070XV36B	8263352
XC14S036-230A	TXV	34,800	16.00	13.00	C35-36B	SL280UH090V36B	8263354
XC14S036-230A	TXV	34,800	16.00	13.00	C35-36B	SL280UH090V48B	8263356
XC14S036-230A	TXV	34,800	16.00	13.00	C35-36B	SL280UH090XV48B	8263357
XC14S036-230A	TXV	34,600	15.50	12.50	C35-36B	SLP98UH070XV36B	8263339
XC14S036-230A	TXV	34,200	14.25	12.20	C35-36B		8263336
XC14S036-230A	TXV	34,800	16.00	13.00	C35-48B	EL180UH070E36B	8263374
XC14S036-230A	TXV	34,800	16.00	13.00	C35-48B	EL180UH070XE36B	8263371
XC14S036-230A	TXV	34,800	16.00	13.00	C35-48B	EL180UH090E48B	8263376
XC14S036-230A	TXV	34,800	16.00	13.00	C35-48B	EL180UH090XE48B	8263372
XC14S036-230A	TXV	34,400	15.00	12.50	C35-48B	EL195UH045XE36B	8263377
XC14S036-230A	TXV	34,600	15.10	12.50	C35-48B	EL195UH070XE36B	8263379
XC14S036-230A	TXV	34,400	15.00	12.50	C35-48B	EL296UH045XE36B	8263362
XC14S036-230A	TXV	34,800	15.50	12.50	C35-48B	EL296UH045XV36B	8263381
XC14S036-230A	TXV	34,600	15.10	12.50	C35-48B	EL296UH070XE36B	8263364
XC14S036-230A	TXV	34,800	15.50	12.50	C35-48B	EL296UH070XV36B	8263366
XC14S036-230A	TXV	34,800	16.00	13.00	C35-48B	SL280UH090V36B	8263368

NOTES:

TXV = Matched with Thermostatic Expansion Valve.

RFC = Matched with RFC metering device.

AHRI certified to AHRI Standard 210/240 (with 25 ft. of connecting refrigerant lines); 95°F outdoor air temperature, 80°F db / 67°F wb entering evaporator air.

All ratings include the use of a blower time delay relay (TDR). All Lennox variable-speed furnaces and Air Handlers have time delay capabilities. Other Furnaces and Air Handlers may require an optional time delay relay (**58M81**) for field installation. See furnace or air handler specifications to determine if relay is needed.

Also see Expansion Valve Kit Usage Table.

AHRI SYSTEM MATCHES - NORTH / SOUTH REGIONS - S036

NOTE - For the latest up-to-date system matches please visit the AHRI web site at <http://www.ahridirectory.org>

Model No.	Expansion Device	Capacity	SEER	EER	Coil or Air Handler	Furnace	AHRI Reference
XC14S036-230A	TXV	35,000	16.00	13.00	C35-48B	SL280UH090V48B	8263384
XC14S036-230A	TXV	35,000	16.00	13.00	C35-48B	SL280UH090XV48B	8263369
XC14S036-230A	TXV	34,800	15.50	12.50	C35-48B	SLP98UH070XV36B	8263382
XC14S036-230A	TXV	34,400	14.50	12.20	C35-48B		8263361
XC14S036-230A	TXV	34,800	16.00	13.00	C35-48C	EL180UH090E60C	8263410
XC14S036-230A	TXV	34,800	16.00	13.00	C35-48C	EL180UH110E60C	8263401
XC14S036-230A	TXV	34,800	16.00	13.00	C35-48C	EL180UH110XE60C	8263412
XC14S036-230A	TXV	34,600	15.50	12.50	C35-48C	EL195UH090XE48C	8263387
XC14S036-230A	TXV	34,800	16.00	13.00	C35-48C	EL195UH110XE60C	8263389
XC14S036-230A	TXV	34,600	15.50	12.50	C35-48C	EL296UH090XE48C	8263413
XC14S036-230A	TXV	34,800	16.00	13.00	C35-48C	EL296UH090XV36C	8263391
XC14S036-230A	TXV	34,800	16.00	13.00	C35-48C	EL296UH090XV48C	8263392
XC14S036-230A	TXV	34,600	16.00	13.00	C35-48C	EL296UH110XE60C	8263415
XC14S036-230A	TXV	35,000	16.00	13.00	C35-48C	EL296UH110XV48C	8263394
XC14S036-230A	TXV	35,200	16.00	13.00	C35-48C	EL296UH110XV60C	8263406
XC14S036-230A	TXV	35,400	16.00	13.00	C35-48C	SL280UH090V60C	8263407
XC14S036-230A	TXV	35,400	16.00	13.00	C35-48C	SL280UH090XV60C	8263397
XC14S036-230A	TXV	35,200	16.00	13.00	C35-48C	SL280UH110V60C	8263409
XC14S036-230A	TXV	35,200	16.00	13.00	C35-48C	SL280UH110XV60C	8263399
XC14S036-230A	TXV	34,800	16.00	13.00	C35-48C	SLP98UH090XV36C	8263402
XC14S036-230A	TXV	34,800	16.00	13.00	C35-48C	SLP98UH090XV48C	8263404
XC14S036-230A	TXV	35,200	16.00	13.00	C35-48C	SLP98UH110XV60C	8263396
XC14S036-230A	TXV	34,400	14.50	12.20	C35-48C		8263386
XC14S036-230A	TXV	35,200	16.00	13.00	C35-49C	EL180UH090E60C	8263436
XC14S036-230A	TXV	35,000	16.00	13.00	C35-49C	EL180UH110E60C	8263427
XC14S036-230A	TXV	35,000	16.00	13.00	C35-49C	EL180UH110XE60C	8263438
XC14S036-230A	TXV	34,800	16.00	13.00	C35-49C	EL195UH090XE48C	8263428
XC14S036-230A	TXV	35,200	16.00	13.00	C35-49C	EL195UH110XE60C	8263430
XC14S036-230A	TXV	34,800	16.00	13.00	C35-49C	EL296UH090XE48C	8263439
XC14S036-230A	TXV	35,200	16.00	13.00	C35-49C	EL296UH090XV36C	8263418
XC14S036-230A	TXV	35,000	16.00	13.00	C35-49C	EL296UH090XV48C	8263420
XC14S036-230A	TXV	35,200	16.00	13.00	C35-49C	EL296UH110XE60C	8263441
XC14S036-230A	TXV	35,200	16.00	13.00	C35-49C	EL296UH110XV48C	8263421
XC14S036-230A	TXV	35,600	16.00	13.00	C35-49C	EL296UH110XV60C	8263433
XC14S036-230A	TXV	35,600	16.00	13.00	C35-49C	SL280UH090V60C	8263444
XC14S036-230A	TXV	35,600	16.00	13.00	C35-49C	SL280UH090XV60C	8263424
XC14S036-230A	TXV	35,400	16.00	13.00	C35-49C	SL280UH110V60C	8263435
XC14S036-230A	TXV	35,400	16.00	13.00	C35-49C	SL280UH110XV60C	8263426
XC14S036-230A	TXV	35,200	16.00	13.00	C35-49C	SLP98UH090XV36C	8263443
XC14S036-230A	TXV	35,000	16.00	13.00	C35-49C	SLP98UH090XV48C	8263432
XC14S036-230A	TXV	35,600	16.00	13.00	C35-49C	SLP98UH110XV60C	8263422
XC14S036-230A	TXV	34,600	14.50	12.20	C35-49C		8263417
XC14S036-230A	TXV	34,800	16.00	13.00	C35-50/60C	EL180UH090E60C	8263475
XC14S036-230A	TXV	34,800	16.00	13.00	C35-50/60C	EL180UH110E60C	8263454
XC14S036-230A	TXV	34,800	16.00	13.00	C35-50/60C	EL180UH110XE60C	8263477
XC14S036-230A	TXV	34,600	15.50	12.50	C35-50/60C	EL195UH090XE48C	8263455
XC14S036-230A	TXV	34,800	16.00	13.00	C35-50/60C	EL195UH110XE60C	8263457
XC14S036-230A	TXV	34,600	15.50	12.50	C35-50/60C	EL296UH090XE48C	8263463
XC14S036-230A	TXV	34,800	16.00	13.00	C35-50/60C	EL296UH090XV36C	8263459

NOTES:

TXV = Matched with Thermostatic Expansion Valve.

RFC = Matched with RFC metering device.

AHRI certified to AHRI Standard 210/240 (with 25 ft. of connecting refrigerant lines); 95°F outdoor air temperature, 80°F db / 67°F wb entering evaporator air.

All ratings include the use of a blower time delay relay (TDR). All Lennox variable-speed furnaces and Air Handlers have time delay capabilities. Other Furnaces and Air Handlers may require an optional time delay relay (**58M81**) for field installation. See furnace or air handler specifications to determine if relay is needed.

Also see Expansion Valve Kit Usage Table.

AHRI SYSTEM MATCHES - NORTH / SOUTH REGIONS - S036

NOTE - For the latest up-to-date system matches please visit the AHRI web site at <http://www.ahridirectory.org>

Model No.	Expansion Device	Capacity	SEER	EER	Coil or Air Handler	Furnace	AHRI Reference
XC14S036-230A	TXV	34,800	16.00	13.00	C35-50/60C	EL296UH090XV48C	8263460
XC14S036-230A	TXV	34,800	16.00	13.00	C35-50/60C	EL296UH110XE60C	8263465
XC14S036-230A	TXV	35,000	16.00	13.00	C35-50/60C	EL296UH110XV48C	8263448
XC14S036-230A	TXV	35,200	16.00	13.00	C35-50/60C	EL296UH110XV60C	8263470
XC14S036-230A	TXV	35,200	16.00	13.00	C35-50/60C	SL280UH090V60C	8263472
XC14S036-230A	TXV	35,200	16.00	13.00	C35-50/60C	SL280UH090XV60C	8263462
XC14S036-230A	TXV	35,000	16.00	13.00	C35-50/60C	SL280UH110V60C	8263473
XC14S036-230A	TXV	35,000	16.00	13.00	C35-50/60C	SL280UH110XV60C	8263451
XC14S036-230A	TXV	34,800	16.00	13.00	C35-50/60C	SLP98UH090XV36C	8263467
XC14S036-230A	TXV	34,800	16.00	13.00	C35-50/60C	SLP98UH090XV48C	8263468
XC14S036-230A	TXV	35,200	16.00	13.00	C35-50/60C	SLP98UH110XV60C	8263449
XC14S036-230A	TXV	34,200	14.50	12.20	C35-50/60C		8263446
XC14S036-230A	TXV	34,200	14.50	12.20	CBX25UH-036		7629721
XC14S036-230A	TXV	34,600	15.00	12.50	CBX25UH-042		7783595
XC14S036-230A	TXV	34,400	15.00	12.50	CBX25UHV-036		7629724
XC14S036-230A	TXV	35,200	16.00	13.00	CBX25UHV-042		7783596
XC14S036-230A	TXV	34,200	16.00	13.00	CBX27UH-036		7629727
XC14S036-230A	TXV	35,200	16.00	13.00	CBX27UH-042		7783597
XC14S036-230A	TXV	33,400	14.50	12.20	CBX32M-030		7629712
XC14S036-230A	TXV	33,800	14.50	12.20	CBX32M-036		7783592
XC14S036-230A	TXV	33,800	14.50	12.20	CBX32M-042		7629715
XC14S036-230A	TXV	34,800	15.10	12.50	CBX32M-048		7783593
XC14S036-230A	TXV	34,000	15.10	12.50	CBX32MV-036		7629718
XC14S036-230A	TXV	35,200	16.00	13.00	CBX32MV-048		7783594
XC14S036-230A	TXV	34,200	15.10	12.50	CBX40UHV-036		7629703
XC14S036-230A	TXV	35,000	15.50	12.50	CBX40UHV-042		7783589
XC14S036-230A	TXV	35,000	16.00	13.00	CBX40UHV-048		7629706
XC14S036-230A	TXV	33,600	15.00	12.50	CH23-41	EL180UH045E36A	7783591
XC14S036-230A	TXV	33,600	15.00	12.50	CH23-41	EL180UH045XE36A	7629694
XC14S036-230A	TXV	33,800	15.50	12.50	CH23-41	EL180UH070E36B	7783586
XC14S036-230A	TXV	33,800	15.50	12.50	CH23-41	EL180UH070XE36B	7629697
XC14S036-230A	TXV	33,800	15.50	12.50	CH23-41	EL180UH090E48B	7783587
XC14S036-230A	TXV	33,800	15.50	12.50	CH23-41	EL180UH090XE48B	7629700
XC14S036-230A	TXV	33,600	15.10	12.50	CH23-41	EL195UH045XE36B	7783588
XC14S036-230A	TXV	33,800	15.10	12.50	CH23-41	EL195UH070XE36B	7783583
XC14S036-230A	TXV	33,600	15.10	12.50	CH23-41	EL296UH045XE36B	7629685
XC14S036-230A	TXV	33,800	15.10	12.50	CH23-41	EL296UH045XV36B	7783584
XC14S036-230A	TXV	33,800	15.10	12.50	CH23-41	EL296UH070XE36B	7629688
XC14S036-230A	TXV	33,800	15.10	12.50	CH23-41	EL296UH070XV36B	7629691
XC14S036-230A	TXV	34,000	16.00	13.00	CH23-41	SL280UH090V48B	7783590
XC14S036-230A	TXV	34,000	16.00	13.00	CH23-41	SL280UH090XV48B	7629709
XC14S036-230A	TXV	33,800	15.10	12.50	CH23-41	SLP98UH070XV36B	7783585
XC14S036-230A	TXV	33,400	14.25	11.50	CH23-41		7628684
XC14S036-230A	TXV	33,600	15.00	12.50	CH23-51	EL180UH045E36A	7783581
XC14S036-230A	TXV	33,600	15.00	12.50	CH23-51	EL180UH045XE36A	7629682
XC14S036-230A	TXV	33,800	15.50	12.50	CH23-51	EL180UH070E36B	7783582
XC14S036-230A	TXV	33,800	15.50	12.50	CH23-51	EL180UH070XE36B	7629667
XC14S036-230A	TXV	33,800	15.50	12.50	CH23-51	EL180UH090E48B	7783577
XC14S036-230A	TXV	34,000	15.50	12.50	CH23-51	EL180UH090E60C	7783571

NOTES:

TXV = Matched with Thermostatic Expansion Valve.

RFC = Matched with RFC metering device.

AHRI certified to AHRI Standard 210/240 (with 25 ft. of connecting refrigerant lines); 95°F outdoor air temperature, 80°F db / 67°F wb entering evaporator air.

All ratings include the use of a blower time delay relay (TDR). All Lennox variable-speed furnaces and Air Handlers have time delay capabilities. Other Furnaces and Air Handlers may require an optional time delay relay (**58M81**) for field installation. See furnace or air handler specifications to determine if relay is needed.

Also see Expansion Valve Kit Usage Table.

AHRI SYSTEM MATCHES - NORTH / SOUTH REGIONS - S036

NOTE - For the latest up-to-date system matches please visit the AHRI web site at <http://www.ahridirectory.org>

Model No.	Expansion Device	Capacity	SEER	EER	Coil or Air Handler	Furnace	AHRI Reference
XC14S036-230A	TXV	33,800	15.50	12.50	CH23-51	EL180UH090XE48B	7629670
XC14S036-230A	TXV	34,000	15.50	12.50	CH23-51	EL180UH110E60C	7629650
XC14S036-230A	TXV	34,000	15.50	12.50	CH23-51	EL180UH110XE60C	7783572
XC14S036-230A	TXV	33,600	15.10	12.50	CH23-51	EL195UH045XE36B	7783578
XC14S036-230A	TXV	33,800	15.10	12.50	CH23-51	EL195UH070XE36B	7783579
XC14S036-230A	TXV	33,600	15.10	12.50	CH23-51	EL195UH090XE48C	7629653
XC14S036-230A	TXV	34,000	15.50	12.50	CH23-51	EL195UH110XE60C	7629656
XC14S036-230A	TXV	33,600	15.10	12.50	CH23-51	EL296UH045XE36B	7629673
XC14S036-230A	TXV	34,000	15.10	12.50	CH23-51	EL296UH045XV36B	7783574
XC14S036-230A	TXV	33,800	15.10	12.50	CH23-51	EL296UH070XE36B	7629658
XC14S036-230A	TXV	34,000	15.10	12.50	CH23-51	EL296UH070XV36B	7629661
XC14S036-230A	TXV	33,600	15.10	12.50	CH23-51	EL296UH090XE48C	7783573
XC14S036-230A	TXV	34,000	15.50	12.50	CH23-51	EL296UH090XV36C	7629637
XC14S036-230A	TXV	33,800	15.50	12.50	CH23-51	EL296UH090XV48C	7629643
XC14S036-230A	TXV	34,000	15.50	12.50	CH23-51	EL296UH110XE60C	7783568
XC14S036-230A	TXV	34,000	15.50	12.50	CH23-51	EL296UH110XV48C	7629648
XC14S036-230A	TXV	34,200	15.50	12.50	CH23-51	EL296UH110XV60C	7783565
XC14S036-230A	TXV	34,000	16.00	13.00	CH23-51	SL280UH090V36B	7629676
XC14S036-230A	TXV	34,200	16.00	13.00	CH23-51	SL280UH090V48B	7783580
XC14S036-230A	TXV	34,400	15.50	12.50	CH23-51	SL280UH090V60C	7628883
XC14S036-230A	TXV	34,200	16.00	13.00	CH23-51	SL280UH090XV48B	7629679
XC14S036-230A	TXV	34,400	15.50	12.50	CH23-51	SL280UH090XV60C	7783321
XC14S036-230A	TXV	34,200	15.50	12.50	CH23-51	SL280UH110V60C	7629664
XC14S036-230A	TXV	34,200	15.50	12.50	CH23-51	SL280UH110XV60C	7783576
XC14S036-230A	TXV	34,000	15.10	12.50	CH23-51	SLP98UH070XV36B	7783575
XC14S036-230A	TXV	34,000	15.50	12.50	CH23-51	SLP98UH090XV36C	7783569
XC14S036-230A	TXV	33,800	15.50	12.50	CH23-51	SLP98UH090XV48C	7783570
XC14S036-230A	TXV	34,200	15.50	12.50	CH23-51	SLP98UH110XV60C	7629621
XC14S036-230A	TXV	33,400	14.25	11.50	CH23-51		7783255
XC14S036-230A	TXV	34,000	15.00	12.50	CH33-31A	EL180UH045E36A	7783567
XC14S036-230A	TXV	34,000	15.00	12.50	CH33-31A	EL180UH045XE36A	7629632
XC14S036-230A	TXV	34,200	15.10	12.50	CH33-31A	SL280UH070V36A	7783566
XC14S036-230A	TXV	34,200	15.10	12.50	CH33-31A	SL280UH070XV36A	7629627
XC14S036-230A	TXV	34,600	15.10	12.50	CH33-31B	EL180UH070E36B	7629611
XC14S036-230A	TXV	34,600	15.10	12.50	CH33-31B	EL180UH070XE36B	7783564
XC14S036-230A	TXV	34,600	15.50	12.50	CH33-31B	EL180UH090E48B	7629616
XC14S036-230A	TXV	34,600	15.50	12.50	CH33-31B	EL180UH090XE48B	7783559
XC14S036-230A	TXV	34,200	14.50	12.20	CH33-31B	EL195UH045XE36B	7629587
XC14S036-230A	TXV	34,400	15.00	12.50	CH33-31B	EL195UH070XE36B	7629592
XC14S036-230A	TXV	34,200	14.50	12.20	CH33-31B	EL296UH045XE36B	7783560
XC14S036-230A	TXV	34,600	15.10	12.50	CH33-31B	EL296UH045XV36B	7629600
XC14S036-230A	TXV	34,400	15.00	12.50	CH33-31B	EL296UH070XE36B	7629597
XC14S036-230A	TXV	34,600	15.10	12.50	CH33-31B	EL296UH070XV36B	7783556
XC14S036-230A	TXV	34,800	16.00	13.00	CH33-31B	SL280UH090V36B	7783562
XC14S036-230A	TXV	34,800	15.50	12.50	CH33-31B	SL280UH090V48B	7629605
XC14S036-230A	TXV	34,800	15.50	12.50	CH33-31B	SL280UH090XV48B	7783563
XC14S036-230A	TXV	34,600	15.10	12.50	CH33-31B	SLP98UH070XV36B	7629571
XC14S036-230A	TXV	34,200	14.50	12.20	CH33-31B		7628691
XC14S036-230A	TXV	33,000	14.50	12.20	CH33-36A	EL180UH045E36A	7783558

NOTES:

TXV = Matched with Thermostatic Expansion Valve.

RFC = Matched with RFC metering device.

AHRI certified to AHRI Standard 210/240 (with 25 ft. of connecting refrigerant lines); 95°F outdoor air temperature, 80°F db / 67°F wb entering evaporator air.

All ratings include the use of a blower time delay relay (TDR). All Lennox variable-speed furnaces and Air Handlers have time delay capabilities. Other Furnaces and Air Handlers may require an optional time delay relay (**58M81**) for field installation. See furnace or air handler specifications to determine if relay is needed.

Also see Expansion Valve Kit Usage Table.

AHRI SYSTEM MATCHES - NORTH / SOUTH REGIONS - S036

NOTE - For the latest up-to-date system matches please visit the AHRI web site at <http://www.ahridirectory.org>

Model No.	Expansion Device	Capacity	SEER	EER	Coil or Air Handler	Furnace	AHRI Reference
XC14S036-230A	TXV	33,000	14.50	12.20	CH33-36A	EL180UH045XE36A	7629582
XC14S036-230A	TXV	33,200	14.50	12.20	CH33-36A	SL280UH070V36A	7783557
XC14S036-230A	TXV	33,200	14.50	12.20	CH33-36A	SL280UH070XV36A	7629576
XC14S036-230A	TXV	33,400	15.50	12.50	CH33-36B	EL180UH070E36B	7629565
XC14S036-230A	TXV	33,400	15.50	12.50	CH33-36B	EL180UH070XE36B	7783555
XC14S036-230A	TXV	33,400	15.10	12.50	CH33-36B	EL180UH090E48B	7629568
XC14S036-230A	TXV	33,400	15.10	12.50	CH33-36B	EL180UH090XE48B	7783550
XC14S036-230A	TXV	33,000	15.00	12.50	CH33-36B	EL195UH045XE36B	7629552
XC14S036-230A	TXV	33,200	15.00	12.50	CH33-36B	EL195UH070XE36B	7629556
XC14S036-230A	TXV	33,000	15.00	12.50	CH33-36B	EL296UH045XE36B	7783551
XC14S036-230A	TXV	33,400	14.50	12.20	CH33-36B	EL296UH045XV36B	7628868
XC14S036-230A	TXV	33,200	15.00	12.50	CH33-36B	EL296UH070XE36B	7783552
XC14S036-230A	TXV	33,400	15.00	12.50	CH33-36B	EL296UH070XV36B	7629559
XC14S036-230A	TXV	33,400	15.50	12.50	CH33-36B	SL280UH090V36B	7783553
XC14S036-230A	TXV	33,600	15.50	12.50	CH33-36B	SL280UH090V48B	7629562
XC14S036-230A	TXV	33,600	15.50	12.50	CH33-36B	SL280UH090XV48B	7783554
XC14S036-230A	TXV	33,400	15.00	12.50	CH33-36B	SLP98UH070XV36B	7783547
XC14S036-230A	TXV	33,000	14.00	11.50	CH33-36B		7783256
XC14S036-230A	TXV	33,800	15.50	12.50	CH33-36C	EL180UH090E60C	7629546
XC14S036-230A	TXV	33,800	15.50	12.50	CH33-36C	EL180UH110E60C	7783549
XC14S036-230A	TXV	33,800	15.50	12.50	CH33-36C	EL180UH110XE60C	7629549
XC14S036-230A	TXV	33,600	15.10	12.50	CH33-36C	EL195UH090XE48C	7783544
XC14S036-230A	TXV	34,000	15.50	12.50	CH33-36C	EL195UH110XE60C	7783545
XC14S036-230A	TXV	33,600	15.10	12.50	CH33-36C	EL296UH090XE48C	7629533
XC14S036-230A	TXV	34,000	15.50	12.50	CH33-36C	EL296UH090XV36C	7783546
XC14S036-230A	TXV	33,800	15.50	12.50	CH33-36C	EL296UH090XV48C	7783541
XC14S036-230A	TXV	34,000	15.50	12.50	CH33-36C	EL296UH110XE60C	7629536
XC14S036-230A	TXV	34,000	15.50	12.50	CH33-36C	EL296UH110XV48C	7629526
XC14S036-230A	TXV	34,200	15.50	12.50	CH33-36C	EL296UH110XV60C	7783542
XC14S036-230A	TXV	34,400	15.50	12.50	CH33-36C	SL280UH090V60C	7783323
XC14S036-230A	TXV	34,400	15.50	12.50	CH33-36C	SL280UH090XV60C	7628871
XC14S036-230A	TXV	34,200	15.50	12.50	CH33-36C	SL280UH110V60C	7629543
XC14S036-230A	TXV	34,200	15.50	12.50	CH33-36C	SL280UH110XV60C	7783548
XC14S036-230A	TXV	34,000	15.50	12.50	CH33-36C	SLP98UH090XV36C	7629540
XC14S036-230A	TXV	33,800	15.50	12.50	CH33-36C	SLP98UH090XV48C	7629524
XC14S036-230A	TXV	34,200	15.50	12.50	CH33-36C	SLP98UH110XV60C	7783543
XC14S036-230A	TXV	33,400	14.25	11.50	CH33-36C		7628695
XC14S036-230A	TXV	34,200	15.00	12.50	CH33-42B	EL180UH070E36B	7628859
XC14S036-230A	TXV	34,200	15.00	12.50	CH33-42B	EL180UH070XE36B	7783317
XC14S036-230A	TXV	34,200	15.50	12.50	CH33-42B	EL180UH090E48B	7628862
XC14S036-230A	TXV	34,200	15.50	12.50	CH33-42B	EL180UH090XE48B	7783319
XC14S036-230A	TXV	34,000	14.50	12.20	CH33-42B	EL195UH045XE36B	7628865
XC14S036-230A	TXV	34,000	15.10	12.50	CH33-42B	EL195UH070XE36B	7628850
XC14S036-230A	TXV	34,000	14.50	12.20	CH33-42B	EL296UH045XE36B	7783312
XC14S036-230A	TXV	34,200	15.00	12.50	CH33-42B	EL296UH045XV36B	7628853
XC14S036-230A	TXV	34,000	15.10	12.50	CH33-42B	EL296UH070XE36B	7783313
XC14S036-230A	TXV	34,200	15.10	12.50	CH33-42B	EL296UH070XV36B	7783314
XC14S036-230A	TXV	34,400	15.50	12.50	CH33-42B	SL280UH090V36B	7783325
XC14S036-230A	TXV	34,400	15.50	12.50	CH33-42B	SL280UH090V48B	7628874

NOTES:

TXV = Matched with Thermostatic Expansion Valve.

RFC = Matched with RFC metering device.

AHRI certified to AHRI Standard 210/240 (with 25 ft. of connecting refrigerant lines); 95°F outdoor air temperature, 80°F db / 67°F wb entering evaporator air.

All ratings include the use of a blower time delay relay (TDR). All Lennox variable-speed furnaces and Air Handlers have time delay capabilities. Other Furnaces and Air Handlers may require an optional time delay relay (**58M81**) for field installation. See furnace or air handler specifications to determine if relay is needed.

Also see Expansion Valve Kit Usage Table.

AHRI SYSTEM MATCHES - NORTH / SOUTH REGIONS - S036

NOTE - For the latest up-to-date system matches please visit the AHRI web site at <http://www.ahridirectory.org>

Model No.	Expansion Device	Capacity	SEER	EER	Coil or Air Handler	Furnace	AHRI Reference
XC14S036-230A	TXV	34,400	15.50	12.50	CH33-42B	SL280UH090XV48B	7783315
XC14S036-230A	TXV	34,200	15.10	12.50	CH33-42B	SLP98UH070XV36B	7628856
XC14S036-230A	TXV	35,000	16.00	13.00	CH33-43B	EL180UH070E36B	7783539
XC14S036-230A	TXV	35,000	16.00	13.00	CH33-43B	EL180UH070XE36B	7629518
XC14S036-230A	TXV	35,400	16.00	13.00	CH33-43B	EL180UH090E48B	7783540
XC14S036-230A	TXV	35,400	16.00	13.00	CH33-43B	EL180UH090XE48B	7629521
XC14S036-230A	TXV	35,000	15.10	12.50	CH33-43B	EL195UH045XE36B	7629503
XC14S036-230A	TXV	35,000	15.10	12.50	CH33-43B	EL195UH070XE36B	7629507
XC14S036-230A	TXV	35,000	15.10	12.50	CH33-43B	EL296UH045XE36B	7783535
XC14S036-230A	TXV	35,400	15.50	12.50	CH33-43B	EL296UH045XV36B	7783537
XC14S036-230A	TXV	35,000	15.10	12.50	CH33-43B	EL296UH070XE36B	7783536
XC14S036-230A	TXV	35,400	15.50	12.50	CH33-43B	EL296UH070XV36B	7629511
XC14S036-230A	TXV	35,400	16.00	13.00	CH33-43B	SL280UH090V36B	7629530
XC14S036-230A	TXV	35,400	16.00	13.00	CH33-43B	SL280UH090V48B	7783538
XC14S036-230A	TXV	35,400	16.00	13.00	CH33-43B	SL280UH090XV48B	7629514
XC14S036-230A	TXV	35,400	15.50	12.50	CH33-43B	SLP98UH070XV36B	7783532
XC14S036-230A	TXV	35,000	14.50	12.20	CH33-43B		7783252
XC14S036-230A	TXV	35,000	16.00	13.00	CH33-43C	EL180UH090E60C	7783534
XC14S036-230A	TXV	35,000	16.00	13.00	CH33-43C	EL180UH110E60C	7783528
XC14S036-230A	TXV	35,000	16.00	13.00	CH33-43C	EL180UH110XE60C	7629486
XC14S036-230A	TXV	34,800	16.00	13.00	CH33-43C	EL195UH090XE48C	7783529
XC14S036-230A	TXV	35,000	16.00	13.00	CH33-43C	EL195UH110XE60C	7783531
XC14S036-230A	TXV	34,800	16.00	13.00	CH33-43C	EL296UH090XE48C	7629489
XC14S036-230A	TXV	35,000	16.00	13.00	CH33-43C	EL296UH090XV36C	7783525
XC14S036-230A	TXV	35,000	16.00	13.00	CH33-43C	EL296UH090XV48C	7783526
XC14S036-230A	TXV	35,000	16.00	13.00	CH33-43C	EL296UH110XE60C	7629492
XC14S036-230A	TXV	35,200	16.00	13.00	CH33-43C	EL296UH110XV48C	7783527
XC14S036-230A	TXV	35,400	16.00	13.00	CH33-43C	EL296UH110XV60C	7629483
XC14S036-230A	TXV	35,600	16.00	13.00	CH33-43C	SL280UH090V60C	7629495
XC14S036-230A	TXV	35,600	16.00	13.00	CH33-43C	SL280UH090XV60C	7629497
XC14S036-230A	TXV	35,400	16.00	13.00	CH33-43C	SL280UH110V60C	7783533
XC14S036-230A	TXV	35,400	16.00	13.00	CH33-43C	SL280UH110XV60C	7629500
XC14S036-230A	TXV	35,000	16.00	13.00	CH33-43C	SLP98UH090XV36C	7629476
XC14S036-230A	TXV	35,000	16.00	13.00	CH33-43C	SLP98UH090XV48C	7629479
XC14S036-230A	TXV	35,400	16.00	13.00	CH33-43C	SLP98UH110XV60C	7783522
XC14S036-230A	TXV	34,600	15.10	12.50	CH33-44/48B	EL180UH070E36B	7783524
XC14S036-230A	TXV	34,600	15.10	12.50	CH33-44/48B	EL180UH070XE36B	7629473
XC14S036-230A	TXV	34,600	15.50	12.50	CH33-44/48B	EL180UH090E48B	7783519
XC14S036-230A	TXV	34,600	15.50	12.50	CH33-44/48B	EL180UH090XE48B	7629458
XC14S036-230A	TXV	34,400	14.50	12.20	CH33-44/48B	EL195UH045XE36B	7783520
XC14S036-230A	TXV	34,400	15.00	12.50	CH33-44/48B	EL195UH070XE36B	7783521
XC14S036-230A	TXV	34,400	14.50	12.20	CH33-44/48B	EL296UH045XE36B	7629461
XC14S036-230A	TXV	34,600	15.10	12.50	CH33-44/48B	EL296UH045XV36B	7783516
XC14S036-230A	TXV	34,400	15.00	12.50	CH33-44/48B	EL296UH070XE36B	7629464
XC14S036-230A	TXV	34,600	15.10	12.50	CH33-44/48B	EL296UH070XV36B	7629449
XC14S036-230A	TXV	34,800	16.00	13.00	CH33-44/48B	SL280UH090V36B	7629467
XC14S036-230A	TXV	34,800	15.50	12.50	CH33-44/48B	SL280UH090V48B	7783523
XC14S036-230A	TXV	34,800	15.50	12.50	CH33-44/48B	SL280UH090XV48B	7629470
XC14S036-230A	TXV	34,600	15.10	12.50	CH33-44/48B	SLP98UH070XV36B	7783517

NOTES:

TXV = Matched with Thermostatic Expansion Valve.

RFC = Matched with RFC metering device.

AHRI certified to AHRI Standard 210/240 (with 25 ft. of connecting refrigerant lines); 95°F outdoor air temperature, 80°F db / 67°F wb entering evaporator air.

All ratings include the use of a blower time delay relay (TDR). All Lennox variable-speed furnaces and Air Handlers have time delay capabilities. Other Furnaces and Air Handlers may require an optional time delay relay (**58M81**) for field installation. See furnace or air handler specifications to determine if relay is needed.

Also see Expansion Valve Kit Usage Table.

AHRI SYSTEM MATCHES - NORTH / SOUTH REGIONS - S036

NOTE - For the latest up-to-date system matches please visit the AHRI web site at <http://www.ahridirectory.org>

Model No.	Expansion Device	Capacity	SEER	EER	Coil or Air Handler	Furnace	AHRI Reference
XC14S036-230A	TXV	34,200	14.50	12.20	CH33-44/48B		7783253
XC14S036-230A	TXV	34,800	16.00	13.00	CH33-48C	EL180UH090E60C	7629440
XC14S036-230A	TXV	34,800	16.00	13.00	CH33-48C	EL180UH110E60C	7783514
XC14S036-230A	TXV	34,800	16.00	13.00	CH33-48C	EL180UH110XE60C	7629443
XC14S036-230A	TXV	34,600	15.50	12.50	CH33-48C	EL195UH090XE48C	7783515
XC14S036-230A	TXV	35,000	16.00	13.00	CH33-48C	EL195UH110XE60C	7783510
XC14S036-230A	TXV	34,600	15.50	12.50	CH33-48C	EL296UH090XE48C	7629446
XC14S036-230A	TXV	35,000	16.00	13.00	CH33-48C	EL296UH090XV36C	7783511
XC14S036-230A	TXV	34,800	16.00	13.00	CH33-48C	EL296UH090XV48C	7783512
XC14S036-230A	TXV	35,000	16.00	13.00	CH33-48C	EL296UH110XE60C	7629431
XC14S036-230A	TXV	35,000	16.00	13.00	CH33-48C	EL296UH110XV48C	7783507
XC14S036-230A	TXV	35,200	16.00	13.00	CH33-48C	EL296UH110XV60C	7629422
XC14S036-230A	TXV	35,400	16.00	13.00	CH33-48C	SL280UH090V60C	7629452
XC14S036-230A	TXV	35,400	16.00	13.00	CH33-48C	SL280UH090XV60C	7783518
XC14S036-230A	TXV	35,200	16.00	13.00	CH33-48C	SL280UH110V60C	7629455
XC14S036-230A	TXV	35,200	16.00	13.00	CH33-48C	SL280UH110XV60C	7783513
XC14S036-230A	TXV	35,000	16.00	13.00	CH33-48C	SLP98UH090XV36C	7629434
XC14S036-230A	TXV	34,800	16.00	13.00	CH33-48C	SLP98UH090XV48C	7629437
XC14S036-230A	TXV	35,200	16.00	13.00	CH33-48C	SLP98UH110XV60C	7783508
XC14S036-230A	TXV	34,400	14.50	12.20	CH33-48C		7628681
XC14S036-230A	TXV	35,400	16.00	13.00	CH33-49	EL180UH090E60C	7783311
XC14S036-230A	TXV	35,400	16.00	13.00	CH33-49	EL180UH110E60C	7628847
XC14S036-230A	TXV	35,400	16.00	13.00	CH33-49	EL180UH110XE60C	7783306
XC14S036-230A	TXV	35,000	16.00	13.00	CH33-49	EL195UH090XE48C	7628832
XC14S036-230A	TXV	35,400	16.00	13.00	CH33-49	EL195UH110XE60C	7628835
XC14S036-230A	TXV	35,000	16.00	13.00	CH33-49	EL296UH090XE48C	7783307
XC14S036-230A	TXV	35,400	16.00	13.00	CH33-49	EL296UH090XV36C	7628838
XC14S036-230A	TXV	35,200	16.00	13.00	CH33-49	EL296UH090XV48C	7628823
XC14S036-230A	TXV	35,400	16.00	13.00	CH33-49	EL296UH110XE60C	7783308
XC14S036-230A	TXV	35,400	16.00	13.00	CH33-49	EL296UH110XV48C	7628826
XC14S036-230A	TXV	35,800	16.00	13.00	CH33-49	EL296UH110XV60C	7783305
XC14S036-230A	TXV	35,800	16.00	13.00	CH33-49	SL280UH090V60C	7783309
XC14S036-230A	TXV	35,800	16.00	13.00	CH33-49	SL280UH090XV60C	7628841
XC14S036-230A	TXV	35,600	16.00	13.00	CH33-49	SL280UH110V60C	7783310
XC14S036-230A	TXV	35,600	16.00	13.00	CH33-49	SL280UH110XV60C	7628844
XC14S036-230A	TXV	35,400	16.00	13.00	CH33-49	SLP98UH090XV36C	7783299
XC14S036-230A	TXV	35,200	16.00	13.00	CH33-49	SLP98UH090XV48C	7783304
XC14S036-230A	TXV	35,800	16.00	13.00	CH33-49	SLP98UH110XV60C	7628829
XC14S036-230A	TXV	34,800	14.50	12.20	CH33-49		7783239
XC14S036-230A	TXV	35,200	16.00	13.00	CH33-50/60C	EL180UH090E60C	7629413
XC14S036-230A	TXV	35,200	16.00	13.00	CH33-50/60C	EL180UH110E60C	7783505
XC14S036-230A	TXV	35,200	16.00	13.00	CH33-50/60C	EL180UH110XE60C	7629416
XC14S036-230A	TXV	35,000	16.00	13.00	CH33-50/60C	EL195UH090XE48C	7783506
XC14S036-230A	TXV	35,200	16.00	13.00	CH33-50/60C	EL195UH110XE60C	7783501
XC14S036-230A	TXV	35,000	16.00	13.00	CH33-50/60C	EL296UH090XE48C	7629419
XC14S036-230A	TXV	35,200	16.00	13.00	CH33-50/60C	EL296UH090XV36C	7783502
XC14S036-230A	TXV	35,000	16.00	13.00	CH33-50/60C	EL296UH090XV48C	7783503
XC14S036-230A	TXV	35,200	16.00	13.00	CH33-50/60C	EL296UH110XE60C	7629404
XC14S036-230A	TXV	35,200	16.00	13.00	CH33-50/60C	EL296UH110XV48C	7629393

NOTES:

TXV = Matched with Thermostatic Expansion Valve.

RFC = Matched with RFC metering device.

AHRI certified to AHRI Standard 210/240 (with 25 ft. of connecting refrigerant lines); 95°F outdoor air temperature, 80°F db / 67°F wb entering evaporator air.

All ratings include the use of a blower time delay relay (TDR). All Lennox variable-speed furnaces and Air Handlers have time delay capabilities. Other Furnaces and Air Handlers may require an optional time delay relay (**58M81**) for field installation. See furnace or air handler specifications to determine if relay is needed.

Also see Expansion Valve Kit Usage Table.

AHRI SYSTEM MATCHES - NORTH / SOUTH REGIONS - S036

NOTE - For the latest up-to-date system matches please visit the AHRI web site at <http://www.ahridirectory.org>

Model No.	Expansion Device	Capacity	SEER	EER	Coil or Air Handler	Furnace	AHRI Reference
XC14S036-230A	TXV	35,600	16.00	13.00	CH33-50/60C	EL296UH110XV60C	7783499
XC14S036-230A	TXV	35,600	16.00	13.00	CH33-50/60C	SL280UH090V60C	7629425
XC14S036-230A	TXV	35,600	16.00	13.00	CH33-50/60C	SL280UH090XV60C	7783509
XC14S036-230A	TXV	35,600	16.00	13.00	CH33-50/60C	SL280UH110V60C	7629428
XC14S036-230A	TXV	35,600	16.00	13.00	CH33-50/60C	SL280UH110XV60C	7783504
XC14S036-230A	TXV	35,200	16.00	13.00	CH33-50/60C	SLP98UH090XV36C	7629407
XC14S036-230A	TXV	35,000	16.00	13.00	CH33-50/60C	SLP98UH090XV48C	7629410
XC14S036-230A	TXV	35,600	16.00	13.00	CH33-50/60C	SLP98UH110XV60C	7629396
XC14S036-230A	TXV	34,600	14.50	12.20	CH33-50/60C		7628652
XC14S036-230A	TXV	34,000	15.00	12.50	CH35-30A	EL180UH045E36A	7629401
XC14S036-230A	TXV	34,000	15.00	12.50	CH35-30A	EL180UH045XE36A	7629384
XC14S036-230A	TXV	34,200	15.10	12.50	CH35-30A	SL280UH070V36A	7629398
XC14S036-230A	TXV	34,200	15.10	12.50	CH35-30A	SL280UH070XV36A	7783500
XC14S036-230A	TXV	34,800	15.10	12.50	CH35-30B	EL180UH070E36B	7629390
XC14S036-230A	TXV	34,800	15.10	12.50	CH35-30B	EL180UH070XE36B	7783498
XC14S036-230A	TXV	34,800	16.00	13.00	CH35-30B	EL180UH090E48B	7629375
XC14S036-230A	TXV	34,800	16.00	13.00	CH35-30B	EL180UH090XE48B	7783493
XC14S036-230A	TXV	34,400	14.50	12.20	CH35-30B	EL195UH045XE36B	7629378
XC14S036-230A	TXV	34,400	15.00	12.50	CH35-30B	EL195UH070XE36B	7629381
XC14S036-230A	TXV	34,400	14.50	12.20	CH35-30B	EL296UH045XE36B	7783494
XC14S036-230A	TXV	34,600	15.10	12.50	CH35-30B	EL296UH045XV36B	7629366
XC14S036-230A	TXV	34,400	15.00	12.50	CH35-30B	EL296UH070XE36B	7783495
XC14S036-230A	TXV	34,600	15.10	12.50	CH35-30B	EL296UH070XV36B	7783490
XC14S036-230A	TXV	34,800	16.00	13.00	CH35-30B	SL280UH090V36B	7783496
XC14S036-230A	TXV	34,800	15.50	12.50	CH35-30B	SL280UH090V48B	7629387
XC14S036-230A	TXV	34,800	15.50	12.50	CH35-30B	SL280UH090XV48B	7783497
XC14S036-230A	TXV	34,600	15.10	12.50	CH35-30B	SLP98UH070XV36B	7629369
XC14S036-230A	TXV	34,200	14.50	12.20	CH35-30B		7783249
XC14S036-230A	TXV	33,000	14.50	12.20	CH35-36A	EL180UH045E36A	7783492
XC14S036-230A	TXV	33,000	14.50	12.20	CH35-36A	EL180UH045XE36A	7783487
XC14S036-230A	TXV	33,200	14.50	12.20	CH35-36A	SL280UH070V36A	7783491
XC14S036-230A	TXV	33,200	14.50	12.20	CH35-36A	SL280UH070XV36A	7629372
XC14S036-230A	TXV	33,400	15.50	12.50	CH35-36B	EL180UH070E36B	7783489
XC14S036-230A	TXV	33,400	15.50	12.50	CH35-36B	EL180UH070XE36B	7629364
XC14S036-230A	TXV	33,400	15.10	12.50	CH35-36B	EL180UH090E48B	7629348
XC14S036-230A	TXV	33,400	15.10	12.50	CH35-36B	EL180UH090XE48B	7783484
XC14S036-230A	TXV	33,000	15.00	12.50	CH35-36B	EL195UH045XE36B	7783485
XC14S036-230A	TXV	33,200	14.50	12.00	CH35-36B	EL195UH070XE36B	7783486
XC14S036-230A	TXV	33,000	15.00	12.50	CH35-36B	EL296UH045XE36B	7629352
XC14S036-230A	TXV	33,600	15.00	12.20	CH35-36B	EL296UH045XV36B	7783481
XC14S036-230A	TXV	33,200	14.50	12.00	CH35-36B	EL296UH070XE36B	7629356
XC14S036-230A	TXV	33,400	15.00	12.50	CH35-36B	EL296UH070XV36B	7629340
XC14S036-230A	TXV	33,600	15.50	12.50	CH35-36B	SL280UH090V36B	7629358
XC14S036-230A	TXV	33,800	15.50	12.50	CH35-36B	SL280UH090V48B	7783488
XC14S036-230A	TXV	33,800	15.50	12.50	CH35-36B	SL280UH090XV48B	7629361
XC14S036-230A	TXV	33,400	15.00	12.50	CH35-36B	SLP98UH070XV36B	7629342
XC14S036-230A	TXV	33,000	14.00	11.50	CH35-36B		7628658
XC14S036-230A	TXV	34,000	15.50	12.50	CH35-36C	EL180UH090E60C	7783483
XC14S036-230A	TXV	33,800	15.50	12.50	CH35-36C	EL180UH110E60C	7783478

NOTES:

TXV = Matched with Thermostatic Expansion Valve.

RFC = Matched with RFC metering device.

AHRI certified to AHRI Standard 210/240 (with 25 ft. of connecting refrigerant lines); 95°F outdoor air temperature, 80°F db / 67°F wb entering evaporator air.

All ratings include the use of a blower time delay relay (TDR). All Lennox variable-speed furnaces and Air Handlers have time delay capabilities. Other Furnaces and Air Handlers may require an optional time delay relay (**58M81**) for field installation. See furnace or air handler specifications to determine if relay is needed.

Also see Expansion Valve Kit Usage Table.

AHRI SYSTEM MATCHES - NORTH / SOUTH REGIONS - S036

NOTE - For the latest up-to-date system matches please visit the AHRI web site at <http://www.ahridirectory.org>

Model No.	Expansion Device	Capacity	SEER	EER	Coil or Air Handler	Furnace	AHRI Reference
XC14S036-230A	TXV	33,800	15.50	12.50	CH35-36C	EL180UH110XE60C	7629331
XC14S036-230A	TXV	33,600	15.10	12.50	CH35-36C	EL195UH090XE48C	7783479
XC14S036-230A	TXV	34,000	15.50	12.50	CH35-36C	EL195UH110XE60C	7783480
XC14S036-230A	TXV	33,600	15.10	12.50	CH35-36C	EL296UH090XE48C	7629334
XC14S036-230A	TXV	34,000	15.50	12.50	CH35-36C	EL296UH090XV36C	7783475
XC14S036-230A	TXV	33,800	15.50	12.50	CH35-36C	EL296UH090XV48C	7783476
XC14S036-230A	TXV	34,000	15.50	12.50	CH35-36C	EL296UH110XE60C	7629337
XC14S036-230A	TXV	34,000	15.50	12.50	CH35-36C	EL296UH110XV48C	7783477
XC14S036-230A	TXV	34,400	15.50	12.50	CH35-36C	EL296UH110XV60C	7783293
XC14S036-230A	TXV	34,400	15.50	12.50	CH35-36C	SL280UH090V60C	7783291
XC14S036-230A	TXV	34,400	15.50	12.50	CH35-36C	SL280UH090XV60C	7628814
XC14S036-230A	TXV	34,200	15.50	12.50	CH35-36C	SL280UH110V60C	7783482
XC14S036-230A	TXV	34,200	15.50	12.50	CH35-36C	SL280UH110XV60C	7629345
XC14S036-230A	TXV	34,000	15.50	12.50	CH35-36C	SLP98UH090XV36C	7629322
XC14S036-230A	TXV	33,800	15.50	12.50	CH35-36C	SLP98UH090XV48C	7629325
XC14S036-230A	TXV	34,400	15.50	12.50	CH35-36C	SLP98UH110XV60C	7629328
XC14S036-230A	TXV	33,400	14.25	11.50	CH35-36C		7783250
XC14S036-230A	TXV	35,000	16.00	13.00	CH35-42B	EL180UH070E36B	7629316
XC14S036-230A	TXV	35,000	16.00	13.00	CH35-42B	EL180UH070XE36B	7783474
XC14S036-230A	TXV	35,400	16.00	13.00	CH35-42B	EL180UH090E48B	7629319
XC14S036-230A	TXV	35,400	16.00	13.00	CH35-42B	EL180UH090XE48B	7783469
XC14S036-230A	TXV	35,000	15.10	12.50	CH35-42B	EL195UH045XE36B	7629304
XC14S036-230A	TXV	35,200	15.10	12.50	CH35-42B	EL195UH070XE36B	7629307
XC14S036-230A	TXV	35,000	15.10	12.50	CH35-42B	EL296UH045XE36B	7783470
XC14S036-230A	TXV	35,400	15.50	12.50	CH35-42B	EL296UH045XV36B	7629310
XC14S036-230A	TXV	35,200	15.10	12.50	CH35-42B	EL296UH070XE36B	7783471
XC14S036-230A	TXV	35,400	15.50	12.50	CH35-42B	EL296UH070XV36B	7783466
XC14S036-230A	TXV	35,400	16.00	13.00	CH35-42B	SL280UH090V36B	7783472
XC14S036-230A	TXV	35,600	16.00	13.00	CH35-42B	SL280UH090V48B	7629313
XC14S036-230A	TXV	35,600	16.00	13.00	CH35-42B	SL280UH090XV48B	7783473
XC14S036-230A	TXV	35,400	15.50	12.50	CH35-42B	SLP98UH070XV36B	7629295
XC14S036-230A	TXV	35,000	14.50	12.20	CH35-42B		7628665
XC14S036-230A	TXV	35,200	16.00	13.00	CH35-42C	EL180UH090E60C	7783463
XC14S036-230A	TXV	35,000	16.00	13.00	CH35-42C	EL180UH110E60C	7629286
XC14S036-230A	TXV	35,000	16.00	13.00	CH35-42C	EL180UH110XE60C	7783464
XC14S036-230A	TXV	34,800	16.00	13.00	CH35-42C	EL195UH090XE48C	7629289
XC14S036-230A	TXV	35,200	16.00	13.00	CH35-42C	EL195UH110XE60C	7629292
XC14S036-230A	TXV	34,800	16.00	13.00	CH35-42C	EL296UH090XE48C	7783465
XC14S036-230A	TXV	35,200	16.00	13.00	CH35-42C	EL296UH090XV36C	7629277
XC14S036-230A	TXV	35,000	16.00	13.00	CH35-42C	EL296UH090XV48C	7629280
XC14S036-230A	TXV	35,200	16.00	13.00	CH35-42C	EL296UH110XE60C	7783460
XC14S036-230A	TXV	35,200	16.00	13.00	CH35-42C	EL296UH110XV48C	7629283
XC14S036-230A	TXV	35,400	16.00	13.00	CH35-42C	EL296UH110XV60C	7783457
XC14S036-230A	TXV	35,600	16.00	13.00	CH35-42C	SL280UH090V60C	7783467
XC14S036-230A	TXV	35,600	16.00	13.00	CH35-42C	SL280UH090XV60C	7629298
XC14S036-230A	TXV	35,400	16.00	13.00	CH35-42C	SL280UH110V60C	7783468
XC14S036-230A	TXV	35,400	16.00	13.00	CH35-42C	SL280UH110XV60C	7629301
XC14S036-230A	TXV	35,200	16.00	13.00	CH35-42C	SLP98UH090XV36C	7783461
XC14S036-230A	TXV	35,000	16.00	13.00	CH35-42C	SLP98UH090XV48C	7783462

NOTES:

TXV = Matched with Thermostatic Expansion Valve.

RFC = Matched with RFC metering device.

AHRI certified to AHRI Standard 210/240 (with 25 ft. of connecting refrigerant lines); 95°F outdoor air temperature, 80°F db / 67°F wb entering evaporator air.

All ratings include the use of a blower time delay relay (TDR). All Lennox variable-speed furnaces and Air Handlers have time delay capabilities. Other Furnaces and Air Handlers may require an optional time delay relay (**58M81**) for field installation. See furnace or air handler specifications to determine if relay is needed.

Also see Expansion Valve Kit Usage Table.

AHRI SYSTEM MATCHES - NORTH / SOUTH REGIONS - S036

NOTE - For the latest up-to-date system matches please visit the AHRI web site at <http://www.ahridirectory.org>

Model No.	Expansion Device	Capacity	SEER	EER	Coil or Air Handler	Furnace	AHRI Reference
XC14S036-230A	TXV	35,400	16.00	13.00	CH35-42C	SLP98UH110XV60C	7629268
XC14S036-230A	TXV	34,600	14.50	12.20	CH35-42C		7783251
XC14S036-230A	TXV	34,800	15.10	12.50	CH35-48B	EL180UH070E36B	7629274
XC14S036-230A	TXV	34,800	15.10	12.50	CH35-48B	EL180UH070XE36B	7783454
XC14S036-230A	TXV	34,800	16.00	13.00	CH35-48B	EL180UH090E48B	7629259
XC14S036-230A	TXV	34,800	16.00	13.00	CH35-48B	EL180UH090XE48B	7783455
XC14S036-230A	TXV	34,400	15.00	12.20	CH35-48B	EL195UH045XE36B	7629262
XC14S036-230A	TXV	34,600	15.00	12.50	CH35-48B	EL195UH070XE36B	7629265
XC14S036-230A	TXV	34,400	15.00	12.20	CH35-48B	EL296UH045XE36B	7783456
XC14S036-230A	TXV	35,000	15.10	12.50	CH35-48B	EL296UH045XV36B	7629250
XC14S036-230A	TXV	34,600	15.00	12.50	CH35-48B	EL296UH070XE36B	7783451
XC14S036-230A	TXV	34,800	15.50	12.50	CH35-48B	EL296UH070XV36B	7783452
XC14S036-230A	TXV	35,000	16.00	13.00	CH35-48B	SL280UH090V36B	7783458
XC14S036-230A	TXV	35,000	16.00	13.00	CH35-48B	SL280UH090V48B	7629271
XC14S036-230A	TXV	35,000	16.00	13.00	CH35-48B	SL280UH090XV48B	7783459
XC14S036-230A	TXV	34,800	15.50	12.50	CH35-48B	SLP98UH070XV36B	7629253
XC14S036-230A	TXV	34,400	14.50	12.20	CH35-48B		7628635
XC14S036-230A	TXV	35,000	16.00	13.00	CH35-48C	EL180UH090E60C	7783449
XC14S036-230A	TXV	35,000	16.00	13.00	CH35-48C	EL180UH110E60C	7629244
XC14S036-230A	TXV	35,000	16.00	13.00	CH35-48C	EL180UH110XE60C	7783450
XC14S036-230A	TXV	34,800	16.00	13.00	CH35-48C	EL195UH090XE48C	7629247
XC14S036-230A	TXV	35,000	16.00	13.00	CH35-48C	EL195UH110XE60C	7629232
XC14S036-230A	TXV	34,800	16.00	13.00	CH35-48C	EL296UH090XE48C	7783445
XC14S036-230A	TXV	35,000	16.00	13.00	CH35-48C	EL296UH090XV36C	7629235
XC14S036-230A	TXV	34,800	16.00	13.00	CH35-48C	EL296UH090XV48C	7629238
XC14S036-230A	TXV	35,000	16.00	13.00	CH35-48C	EL296UH110XE60C	7783446
XC14S036-230A	TXV	35,000	16.00	13.00	CH35-48C	EL296UH110XV48C	7629223
XC14S036-230A	TXV	35,400	16.00	13.00	CH35-48C	EL296UH110XV60C	7783443
XC14S036-230A	TXV	35,400	16.00	13.00	CH35-48C	SL280UH090V60C	7783453
XC14S036-230A	TXV	35,400	16.00	13.00	CH35-48C	SL280UH090XV60C	7629256
XC14S036-230A	TXV	35,400	16.00	13.00	CH35-48C	SL280UH110V60C	7783448
XC14S036-230A	TXV	35,400	16.00	13.00	CH35-48C	SL280UH110XV60C	7629241
XC14S036-230A	TXV	35,000	16.00	13.00	CH35-48C	SLP98UH090XV36C	7783447
XC14S036-230A	TXV	34,800	16.00	13.00	CH35-48C	SLP98UH090XV48C	7783442
XC14S036-230A	TXV	35,400	16.00	13.00	CH35-48C	SLP98UH110XV60C	7629226
XC14S036-230A	TXV	34,400	14.50	12.20	CH35-48C		7783246
XC14S036-230A	TXV	35,400	16.00	13.00	CH35-51C	EL180UH090E60C	7783440
XC14S036-230A	TXV	35,400	16.00	13.00	CH35-51C	EL180UH110E60C	7629217
XC14S036-230A	TXV	35,400	16.00	13.00	CH35-51C	EL180UH110XE60C	7783441
XC14S036-230A	TXV	35,200	16.00	13.00	CH35-51C	EL195UH090XE48C	7629220
XC14S036-230A	TXV	35,400	16.00	13.00	CH35-51C	EL195UH110XE60C	7783437
XC14S036-230A	TXV	35,200	16.00	13.00	CH35-51C	EL296UH090XE48C	7629203
XC14S036-230A	TXV	35,400	16.00	13.00	CH35-51C	EL296UH090XV36C	7783438
XC14S036-230A	TXV	35,200	16.00	13.00	CH35-51C	EL296UH090XV48C	7783439
XC14S036-230A	TXV	35,400	16.00	13.00	CH35-51C	EL296UH110XE60C	7629206
XC14S036-230A	TXV	35,400	16.00	13.00	CH35-51C	EL296UH110XV48C	7783434
XC14S036-230A	TXV	35,800	16.00	13.00	CH35-51C	EL296UH110XV60C	7629197
XC14S036-230A	TXV	36,000	16.00	13.00	CH35-51C	SL280UH090V60C	7783444
XC14S036-230A	TXV	36,000	16.00	13.00	CH35-51C	SL280UH090XV60C	7629229

NOTES:

TXV = Matched with Thermostatic Expansion Valve.

RFC = Matched with RFC metering device.

AHRI certified to AHRI Standard 210/240 (with 25 ft. of connecting refrigerant lines); 95°F outdoor air temperature, 80°F db / 67°F wb entering evaporator air.

All ratings include the use of a blower time delay relay (TDR). All Lennox variable-speed furnaces and Air Handlers have time delay capabilities. Other Furnaces and Air Handlers may require an optional time delay relay (**58M81**) for field installation. See furnace or air handler specifications to determine if relay is needed.

Also see Expansion Valve Kit Usage Table.

AHRI SYSTEM MATCHES - NORTH / SOUTH REGIONS - S036

NOTE - For the latest up-to-date system matches please visit the AHRI web site at <http://www.ahridirectory.org>

Model No.	Expansion Device	Capacity	SEER	EER	Coil or Air Handler	Furnace	AHRI Reference
XC14S036-230A	TXV	35,800	16.00	13.00	CH35-51C	SL280UH110V60C	7629212
XC14S036-230A	TXV	35,800	16.00	13.00	CH35-51C	SL280UH110XV60C	7629214
XC14S036-230A	TXV	35,400	16.00	13.00	CH35-51C	SLP98UH090XV36C	7629209
XC14S036-230A	TXV	35,200	16.00	13.00	CH35-51C	SLP98UH090XV48C	7629194
XC14S036-230A	TXV	35,800	16.00	13.00	CH35-51C	SLP98UH110XV60C	7783435
XC14S036-230A	TXV	34,800	14.50	12.20	CH35-51C		7628641
XC14S036-230A	TXV	33,600	14.50	12.20	CR33-30/36A	EL180DF045E36A	7783436
XC14S036-230A	TXV	33,600	15.00	12.50	CR33-30/36A	SL280DF070V36A	7629200
XC14S036-230A	TXV	33,600	15.50	12.50	CR33-30/36B	EL180DF070E36B	7783431
XC14S036-230A	TXV	33,600	15.10	12.50	CR33-30/36B	EL180DF090E48B	7629188
XC14S036-230A	TXV	33,400	14.50	12.00	CR33-30/36B	EL195DF045XE36B	7783432
XC14S036-230A	TXV	33,600	15.10	12.50	CR33-30/36B	EL195DF070XE48B	7783433
XC14S036-230A	TXV	33,400	14.50	12.00	CR33-30/36B	EL296DF045XE36B	7629191
XC14S036-230A	TXV	33,600	15.00	12.20	CR33-30/36B	EL296DF045XV36B	7783428
XC14S036-230A	TXV	33,600	15.10	12.50	CR33-30/36B	EL296DF070XE48B	7629176
XC14S036-230A	TXV	33,600	14.50	12.20	CR33-30/36B	EL296DF070XV48B	7629179
XC14S036-230A	TXV	33,800	15.10	12.50	CR33-30/36B	SL280DF090V48B	7629185
XC14S036-230A	TXV	33,800	15.00	12.50	CR33-30/36B	SLP98DF070XV36B	7783429
XC14S036-230A	TXV	33,400	14.25	11.50	CR33-30/36B		7783247
XC14S036-230A	TXV	33,800	15.50	12.50	CR33-30/36C	EL180DF110E60C	7783430
XC14S036-230A	TXV	33,600	15.10	12.50	CR33-30/36C	EL195DF090XE48C	7783425
XC14S036-230A	TXV	33,600	15.10	12.50	CR33-30/36C	EL195DF110XE60C	7783426
XC14S036-230A	TXV	33,600	15.10	12.50	CR33-30/36C	EL296DF090XE48C	7629169
XC14S036-230A	TXV	34,000	15.10	12.50	CR33-30/36C	EL296DF090XV60C	7783421
XC14S036-230A	TXV	33,600	15.10	12.50	CR33-30/36C	EL296DF110XE60C	7629172
XC14S036-230A	TXV	34,000	15.10	12.50	CR33-30/36C	EL296DF110XV60C	7783423
XC14S036-230A	TXV	34,000	15.50	12.50	CR33-30/36C	SL280DF110V60C	7629182
XC14S036-230A	TXV	33,800	15.10	12.50	CR33-30/36C	SLP98DF090XV36C	7629173
XC14S036-230A	TXV	33,800	15.10	12.50	CR33-30/36C	SLP98DF090XV48C	7783427
XC14S036-230A	TXV	34,000	15.10	12.50	CR33-30/36C	SLP98DF090XV60C	7629160
XC14S036-230A	TXV	34,000	15.10	12.50	CR33-30/36C	SLP98DF110XV60C	7629163
XC14S036-230A	TXV	33,400	14.25	11.50	CR33-30/36C		7628645
XC14S036-230A	TXV	34,200	15.00	12.50	CR33-48B	EL180DF070E36B	7783296
XC14S036-230A	TXV	34,200	15.50	12.50	CR33-48B	EL180DF090E48B	7628820
XC14S036-230A	TXV	34,000	15.10	12.50	CR33-48B	EL195DF045XE36B	7783285
XC14S036-230A	TXV	34,000	15.50	12.50	CR33-48B	EL195DF070XE48B	7783286
XC14S036-230A	TXV	34,000	15.50	12.50	CR33-48B	EL296DF045XE36B	7628805
XC14S036-230A	TXV	34,200	15.10	12.50	CR33-48B	EL296DF045XV36B	7783287
XC14S036-230A	TXV	34,000	15.50	12.50	CR33-48B	EL296DF070XE48B	7628808
XC14S036-230A	TXV	34,200	15.10	12.50	CR33-48B	EL296DF070XV48B	7628811
XC14S036-230A	TXV	34,600	15.50	12.50	CR33-48B	SL280DF090V48B	7628817
XC14S036-230A	TXV	34,000	15.50	12.50	CR33-48B	SLP98DF070XV36B	7783282
XC14S036-230A	TXV	33,800	14.25	12.00	CR33-48B		7783234
XC14S036-230A	TXV	34,400	16.00	13.00	CR33-48C	EL180DF110E60C	7783283
XC14S036-230A	TXV	34,200	15.50	12.50	CR33-48C	EL195DF090XE48C	7628799
XC14S036-230A	TXV	34,200	15.50	12.50	CR33-48C	EL195DF110XE60C	7628802
XC14S036-230A	TXV	34,200	15.50	12.50	CR33-48C	EL296DF090XE48C	7783284
XC14S036-230A	TXV	34,600	15.50	12.50	CR33-48C	EL296DF090XV60C	7628790
XC14S036-230A	TXV	34,200	15.50	12.50	CR33-48C	EL296DF110XE60C	7783279

NOTES:

TXV = Matched with Thermostatic Expansion Valve.

RFC = Matched with RFC metering device.

AHRI certified to AHRI Standard 210/240 (with 25 ft. of connecting refrigerant lines); 95°F outdoor air temperature, 80°F db / 67°F wb entering evaporator air.

All ratings include the use of a blower time delay relay (TDR). All Lennox variable-speed furnaces and Air Handlers have time delay capabilities. Other Furnaces and Air Handlers may require an optional time delay relay (**58M81**) for field installation. See furnace or air handler specifications to determine if relay is needed.

Also see Expansion Valve Kit Usage Table.

AHRI SYSTEM MATCHES - NORTH / SOUTH REGIONS - S036

NOTE - For the latest up-to-date system matches please visit the AHRI web site at <http://www.ahridirectory.org>

Model No.	Expansion Device	Capacity	SEER	EER	Coil or Air Handler	Furnace	AHRI Reference
XC14S036-230A	TXV	34,600	15.50	12.50	CR33-48C	EL296DF110XV60C	7628793
XC14S036-230A	TXV	34,600	16.00	13.00	CR33-48C	SL280DF110V60C	7628796
XC14S036-230A	TXV	34,400	15.50	12.50	CR33-48C	SLP98DF090XV36C	7628787
XC14S036-230A	TXV	34,400	16.00	13.00	CR33-48C	SLP98DF090XV48C	7783280
XC14S036-230A	TXV	34,600	15.50	12.50	CR33-48C	SLP98DF090XV60C	7783281
XC14S036-230A	TXV	34,600	15.50	12.50	CR33-48C	SLP98DF110XV60C	7783276
XC14S036-230A	TXV	33,800	14.25	12.00	CR33-48C		7783235
XC14S036-230A	TXV	34,200	15.10	12.50	CX34-31A	EL180UH045E36A	7783418
XC14S036-230A	TXV	34,200	15.10	12.50	CX34-31A	EL180UH045XE36A	7629151
XC14S036-230A	TXV	34,400	15.10	12.50	CX34-31A	SL280UH070V36A	7783424
XC14S036-230A	TXV	34,400	15.10	12.50	CX34-31A	SL280UH070XV36A	7629166
XC14S036-230A	TXV	34,000	14.50	12.00	CX34-31A		7783248
XC14S036-230A	TXV	34,400	15.00	12.50	CX34-31B	EL180UH070E36B	7629157
XC14S036-230A	TXV	34,400	15.00	12.50	CX34-31B	EL180UH070XE36B	7629140
XC14S036-230A	TXV	34,400	15.50	12.50	CX34-31B	EL180UH090E48B	7783416
XC14S036-230A	TXV	34,400	15.50	12.50	CX34-31B	EL180UH090XE48B	7629143
XC14S036-230A	TXV	34,000	14.50	12.20	CX34-31B	EL195UH045XE36B	7629145
XC14S036-230A	TXV	34,000	15.10	12.50	CX34-31B	EL195UH070XE36B	7629148
XC14S036-230A	TXV	34,000	14.50	12.20	CX34-31B	EL296UH045XE36B	7783417
XC14S036-230A	TXV	34,200	15.10	12.50	CX34-31B	EL296UH045XV36B	7783413
XC14S036-230A	TXV	34,000	15.10	12.50	CX34-31B	EL296UH070XE36B	7629130
XC14S036-230A	TXV	34,200	15.10	12.50	CX34-31B	EL296UH070XV36B	7783414
XC14S036-230A	TXV	34,400	15.50	12.50	CX34-31B	SL280UH090V36B	7783419
XC14S036-230A	TXV	34,400	15.50	12.50	CX34-31B	SL280UH090V48B	7629154
XC14S036-230A	TXV	34,400	15.50	12.50	CX34-31B	SL280UH090XV48B	7783420
XC14S036-230A	TXV	34,200	15.10	12.50	CX34-31B	SLP98UH070XV36B	7629135
XC14S036-230A	TXV	34,000	14.50	12.00	CX34-31B		7628615
XC14S036-230A	TXV	33,200	14.50	12.20	CX34-36A	EL180UH045E36A	7783410
XC14S036-230A	TXV	33,200	14.50	12.20	CX34-36A	EL180UH045XE36A	7629122
XC14S036-230A	TXV	33,400	15.00	12.20	CX34-36A	SL280UH070V36A	7629136
XC14S036-230A	TXV	33,400	15.00	12.20	CX34-36A	SL280UH070XV36A	7783415
XC14S036-230A	TXV	33,000	14.00	11.50	CX34-36A		7783243
XC14S036-230A	TXV	33,400	15.50	12.50	CX34-36B	EL180UH070E36B	7629128
XC14S036-230A	TXV	33,400	15.50	12.50	CX34-36B	EL180UH070XE36B	7783407
XC14S036-230A	TXV	33,400	15.10	12.50	CX34-36B	EL180UH090E48B	7629113
XC14S036-230A	TXV	33,400	15.10	12.50	CX34-36B	EL180UH090XE48B	7783408
XC14S036-230A	TXV	33,000	15.00	12.50	CX34-36B	EL195UH045XE36B	7629116
XC14S036-230A	TXV	33,200	14.50	12.00	CX34-36B	EL195UH070XE36B	7629119
XC14S036-230A	TXV	33,000	15.00	12.50	CX34-36B	EL296UH045XE36B	7783409
XC14S036-230A	TXV	33,400	15.00	12.50	CX34-36B	EL296UH045XV36B	7629103
XC14S036-230A	TXV	33,200	14.50	12.00	CX34-36B	EL296UH070XE36B	7783404
XC14S036-230A	TXV	33,400	15.00	12.50	CX34-36B	EL296UH070XV36B	7783405
XC14S036-230A	TXV	33,600	15.50	12.50	CX34-36B	SL280UH090V36B	7783411
XC14S036-230A	TXV	33,600	15.50	12.50	CX34-36B	SL280UH090V48B	7629125
XC14S036-230A	TXV	33,600	15.50	12.50	CX34-36B	SL280UH090XV48B	7783412
XC14S036-230A	TXV	33,400	15.00	12.50	CX34-36B	SLP98UH070XV36B	7629106
XC14S036-230A	TXV	33,000	14.00	11.50	CX34-36B		7628622
XC14S036-230A	TXV	33,600	15.10	12.50	CX34-36C	EL180UH090E60C	7783406
XC14S036-230A	TXV	33,400	15.50	12.50	CX34-36C	EL180UH110E60C	7629110

NOTES:

TXV = Matched with Thermostatic Expansion Valve.

RFC = Matched with RFC metering device.

AHRI certified to AHRI Standard 210/240 (with 25 ft. of connecting refrigerant lines); 95°F outdoor air temperature, 80°F db / 67°F wb entering evaporator air.

All ratings include the use of a blower time delay relay (TDR). All Lennox variable-speed furnaces and Air Handlers have time delay capabilities. Other Furnaces and Air Handlers may require an optional time delay relay (**58M81**) for field installation. See furnace or air handler specifications to determine if relay is needed.

Also see Expansion Valve Kit Usage Table.

AHRI SYSTEM MATCHES - NORTH / SOUTH REGIONS - S036

NOTE - For the latest up-to-date system matches please visit the AHRI web site at <http://www.ahridirectory.org>

Model No.	Expansion Device	Capacity	SEER	EER	Coil or Air Handler	Furnace	AHRI Reference
XC14S036-230A	TXV	33,400	15.50	12.50	CX34-36C	EL180UH110XE60C	7783401
XC14S036-230A	TXV	33,200	15.10	12.50	CX34-36C	EL195UH090XE48C	7629094
XC14S036-230A	TXV	33,600	15.10	12.50	CX34-36C	EL195UH110XE60C	7629097
XC14S036-230A	TXV	33,200	15.10	12.50	CX34-36C	EL296UH090XE48C	7783402
XC14S036-230A	TXV	33,600	15.50	12.50	CX34-36C	EL296UH090XV36C	7629100
XC14S036-230A	TXV	33,400	15.50	12.50	CX34-36C	EL296UH090XV48C	7629084
XC14S036-230A	TXV	33,600	15.10	12.50	CX34-36C	EL296UH110XE60C	7783403
XC14S036-230A	TXV	33,600	15.50	12.50	CX34-36C	EL296UH110XV48C	7629087
XC14S036-230A	TXV	33,600	15.50	12.50	CX34-36C	SLP98UH090XV36C	7783398
XC14S036-230A	TXV	33,400	15.50	12.50	CX34-36C	SLP98UH090XV48C	7783399
XC14S036-230A	TXV	33,800	15.50	12.50	CX34-36C	SLP98UH110XV60C	7628778
XC14S036-230A	TXV	33,000	14.00	11.50	CX34-36C		7783244
XC14S036-230A	TXV	34,400	15.10	12.50	CX34-38A	EL180UH045E36A	7783395
XC14S036-230A	TXV	34,400	15.10	12.50	CX34-38A	EL180UH045XE36A	7783396
XC14S036-230A	TXV	34,600	15.50	12.50	CX34-38A	SL280UH070V36A	7783400
XC14S036-230A	TXV	34,600	15.50	12.50	CX34-38A	SL280UH070XV36A	7629090
XC14S036-230A	TXV	34,200	14.50	12.20	CX34-38A		7628628
XC14S036-230A	TXV	34,600	16.00	13.00	CX34-38B	EL180UH070E36B	7629081
XC14S036-230A	TXV	34,600	16.00	13.00	CX34-38B	EL180UH070XE36B	7783393
XC14S036-230A	TXV	34,600	15.50	12.50	CX34-38B	EL180UH090E48B	7629064
XC14S036-230A	TXV	34,600	15.50	12.50	CX34-38B	EL180UH090XE48B	7629067
XC14S036-230A	TXV	34,400	15.00	12.50	CX34-38B	EL195UH045XE36B	7629068
XC14S036-230A	TXV	34,400	15.00	12.50	CX34-38B	EL195UH070XE36B	7629071
XC14S036-230A	TXV	34,400	15.00	12.50	CX34-38B	EL296UH045XE36B	7783394
XC14S036-230A	TXV	34,600	15.50	12.50	CX34-38B	EL296UH045XV36B	7629054
XC14S036-230A	TXV	34,400	15.00	12.50	CX34-38B	EL296UH070XE36B	7783389
XC14S036-230A	TXV	34,600	15.50	12.50	CX34-38B	EL296UH070XV36B	7783390
XC14S036-230A	TXV	34,800	16.00	13.00	CX34-38B	SL280UH090V36B	7629076
XC14S036-230A	TXV	34,800	16.00	13.00	CX34-38B	SL280UH090V48B	7629078
XC14S036-230A	TXV	34,800	16.00	13.00	CX34-38B	SL280UH090XV48B	7783397
XC14S036-230A	TXV	34,600	15.50	12.50	CX34-38B	SLP98UH070XV36B	7629057
XC14S036-230A	TXV	34,200	14.25	12.20	CX34-38B		7628542
XC14S036-230A	TXV	33,400	15.50	12.50	CX34-42	EL180UH070E36B	7628784
XC14S036-230A	TXV	33,400	15.50	12.50	CX34-42	EL180UH070XE36B	7783273
XC14S036-230A	TXV	33,400	15.10	12.50	CX34-42	EL180UH090E48B	7628769
XC14S036-230A	TXV	33,400	15.10	12.50	CX34-42	EL180UH090XE48B	7783274
XC14S036-230A	TXV	33,000	15.00	12.50	CX34-42	EL195UH045XE36B	7628772
XC14S036-230A	TXV	33,200	14.50	12.00	CX34-42	EL195UH070XE36B	7628775
XC14S036-230A	TXV	33,000	15.00	12.50	CX34-42	EL296UH045XE36B	7783275
XC14S036-230A	TXV	33,400	15.00	12.50	CX34-42	EL296UH045XV36B	7628760
XC14S036-230A	TXV	33,200	14.50	12.00	CX34-42	EL296UH070XE36B	7783270
XC14S036-230A	TXV	33,400	15.00	12.50	CX34-42	EL296UH070XV36B	7783271
XC14S036-230A	TXV	33,600	15.50	12.50	CX34-42	SL280UH090V36B	7783277
XC14S036-230A	TXV	33,600	15.50	12.50	CX34-42	SL280UH090V48B	7628781
XC14S036-230A	TXV	33,600	15.50	12.50	CX34-42	SL280UH090XV48B	7783278
XC14S036-230A	TXV	33,400	15.00	12.50	CX34-42	SLP98UH070XV36B	7628763
XC14S036-230A	TXV	33,000	14.00	11.50	CX34-42		7628571
XC14S036-230A	TXV	34,800	16.00	13.00	CX34-43B	EL180UH070E36B	7629045
XC14S036-230A	TXV	34,800	16.00	13.00	CX34-43B	EL180UH070XE36B	7783387

NOTES:

TXV = Matched with Thermostatic Expansion Valve.

RFC = Matched with RFC metering device.

AHRI certified to AHRI Standard 210/240 (with 25 ft. of connecting refrigerant lines); 95°F outdoor air temperature, 80°F db / 67°F wb entering evaporator air.

All ratings include the use of a blower time delay relay (TDR). All Lennox variable-speed furnaces and Air Handlers have time delay capabilities. Other Furnaces and Air Handlers may require an optional time delay relay (**58M81**) for field installation. See furnace or air handler specifications to determine if relay is needed.

Also see Expansion Valve Kit Usage Table.

AHRI SYSTEM MATCHES - NORTH / SOUTH REGIONS - S036

NOTE - For the latest up-to-date system matches please visit the AHRI web site at <http://www.ahridirectory.org>

Model No.	Expansion Device	Capacity	SEER	EER	Coil or Air Handler	Furnace	AHRI Reference
XC14S036-230A	TXV	34,800	16.00	13.00	CX34-43B	EL180UH090E48B	7629048
XC14S036-230A	TXV	34,800	16.00	13.00	CX34-43B	EL180UH090XE48B	7783388
XC14S036-230A	TXV	34,400	15.00	12.50	CX34-43B	EL195UH045XE36B	7629051
XC14S036-230A	TXV	34,600	15.10	12.50	CX34-43B	EL195UH070XE36B	7629035
XC14S036-230A	TXV	34,400	15.00	12.50	CX34-43B	EL296UH045XE36B	7783383
XC14S036-230A	TXV	34,800	15.50	12.50	CX34-43B	EL296UH045XV36B	7629038
XC14S036-230A	TXV	34,600	15.10	12.50	CX34-43B	EL296UH070XE36B	7783384
XC14S036-230A	TXV	34,800	15.50	12.50	CX34-43B	EL296UH070XV36B	7783385
XC14S036-230A	TXV	34,800	16.00	13.00	CX34-43B	SL280UH090V36B	7783392
XC14S036-230A	TXV	35,000	16.00	13.00	CX34-43B	SL280UH090V48B	7629061
XC14S036-230A	TXV	35,000	16.00	13.00	CX34-43B	SL280UH090XV48B	7783386
XC14S036-230A	TXV	34,800	15.50	12.50	CX34-43B	SLP98UH070XV36B	7629042
XC14S036-230A	TXV	34,400	14.50	12.20	CX34-43B		7783245
XC14S036-230A	TXV	34,800	16.00	13.00	CX34-43C	EL180UH090E60C	7783382
XC14S036-230A	TXV	34,800	16.00	13.00	CX34-43C	EL180UH110E60C	7629032
XC14S036-230A	TXV	34,800	16.00	13.00	CX34-43C	EL180UH110XE60C	7783377
XC14S036-230A	TXV	34,600	15.50	12.50	CX34-43C	EL195UH090XE48C	7629017
XC14S036-230A	TXV	34,800	16.00	13.00	CX34-43C	EL195UH110XE60C	7629020
XC14S036-230A	TXV	34,600	15.50	12.50	CX34-43C	EL296UH090XE48C	7783378
XC14S036-230A	TXV	34,800	16.00	13.00	CX34-43C	EL296UH090XV36C	7629023
XC14S036-230A	TXV	34,800	16.00	13.00	CX34-43C	EL296UH090XV48C	7629008
XC14S036-230A	TXV	34,600	16.00	13.00	CX34-43C	EL296UH110XE60C	7783379
XC14S036-230A	TXV	35,000	16.00	13.00	CX34-43C	EL296UH110XV48C	7629011
XC14S036-230A	TXV	35,200	16.00	13.00	CX34-43C	EL296UH110XV60C	7783376
XC14S036-230A	TXV	35,400	16.00	13.00	CX34-43C	SL280UH090V60C	7783380
XC14S036-230A	TXV	35,400	16.00	13.00	CX34-43C	SL280UH090XV60C	7629026
XC14S036-230A	TXV	35,200	16.00	13.00	CX34-43C	SL280UH110V60C	7783381
XC14S036-230A	TXV	35,200	16.00	13.00	CX34-43C	SL280UH110XV60C	7629029
XC14S036-230A	TXV	34,800	16.00	13.00	CX34-43C	SLP98UH090XV36C	7629006
XC14S036-230A	TXV	34,800	16.00	13.00	CX34-43C	SLP98UH090XV48C	7783375
XC14S036-230A	TXV	35,200	16.00	13.00	CX34-43C	SLP98UH110XV60C	7629014
XC14S036-230A	TXV	34,400	14.50	12.20	CX34-43C		7628596
XC14S036-230A	TXV	34,200	16.00	13.00	CX34-44/48B	EL180UH070E36B	7629001
XC14S036-230A	TXV	34,200	16.00	13.00	CX34-44/48B	EL180UH070XE36B	7629003
XC14S036-230A	TXV	34,200	15.50	12.50	CX34-44/48B	EL180UH090E48B	7783374
XC14S036-230A	TXV	34,200	15.50	12.50	CX34-44/48B	EL180UH090XE48B	7628988
XC14S036-230A	TXV	33,800	15.10	12.50	CX34-44/48B	EL195UH045XE36B	7783370
XC14S036-230A	TXV	34,200	15.00	12.50	CX34-44/48B	EL195UH070XE36B	7783371
XC14S036-230A	TXV	33,800	15.10	12.50	CX34-44/48B	EL296UH045XE36B	7628991
XC14S036-230A	TXV	34,200	15.10	12.50	CX34-44/48B	EL296UH045XV36B	7783372
XC14S036-230A	TXV	34,200	15.00	12.50	CX34-44/48B	EL296UH070XE36B	7628994
XC14S036-230A	TXV	34,200	15.10	12.50	CX34-44/48B	EL296UH070XV36B	7628977
XC14S036-230A	TXV	34,400	16.00	13.00	CX34-44/48B	SL280UH090V36B	7628997
XC14S036-230A	TXV	34,400	16.00	13.00	CX34-44/48B	SL280UH090V48B	7783373
XC14S036-230A	TXV	34,400	16.00	13.00	CX34-44/48B	SL280UH090XV48B	7629000
XC14S036-230A	TXV	34,200	15.10	12.50	CX34-44/48B	SLP98UH070XV36B	7783367
XC14S036-230A	TXV	33,800	14.50	12.00	CX34-44/48B		7783240
XC14S036-230A	TXV	34,400	15.50	12.50	CX34-44/48C	EL180UH090E60C	7783363
XC14S036-230A	TXV	34,400	16.00	13.00	CX34-44/48C	EL180UH110E60C	7628969

NOTES:

TXV = Matched with Thermostatic Expansion Valve.

RFC = Matched with RFC metering device.

AHRI certified to AHRI Standard 210/240 (with 25 ft. of connecting refrigerant lines); 95°F outdoor air temperature, 80°F db / 67°F wb entering evaporator air.

All ratings include the use of a blower time delay relay (TDR). All Lennox variable-speed furnaces and Air Handlers have time delay capabilities. Other Furnaces and Air Handlers may require an optional time delay relay (**58M81**) for field installation. See furnace or air handler specifications to determine if relay is needed.

Also see Expansion Valve Kit Usage Table.

AHRI SYSTEM MATCHES - NORTH / SOUTH REGIONS - S036

NOTE - For the latest up-to-date system matches please visit the AHRI web site at <http://www.ahridirectory.org>

Model No.	Expansion Device	Capacity	SEER	EER	Coil or Air Handler	Furnace	AHRI Reference
XC14S036-230A	TXV	34,400	16.00	13.00	CX34-44/48C	EL180UH110XE60C	7783364
XC14S036-230A	TXV	34,200	15.50	12.50	CX34-44/48C	EL195UH090XE48C	7783365
XC14S036-230A	TXV	34,400	15.50	12.50	CX34-44/48C	EL195UH110XE60C	7783366
XC14S036-230A	TXV	34,200	15.50	12.50	CX34-44/48C	EL296UH090XE48C	7628974
XC14S036-230A	TXV	34,400	15.50	12.50	CX34-44/48C	EL296UH090XV36C	7628960
XC14S036-230A	TXV	34,200	16.00	13.00	CX34-44/48C	EL296UH090XV48C	7628963
XC14S036-230A	TXV	34,200	15.50	12.50	CX34-44/48C	EL296UH110XE60C	7783360
XC14S036-230A	TXV	34,400	16.00	13.00	CX34-44/48C	EL296UH110XV48C	7628966
XC14S036-230A	TXV	34,800	16.00	13.00	CX34-44/48C	EL296UH110XV60C	7783357
XC14S036-230A	TXV	34,800	16.00	13.00	CX34-44/48C	SL280UH090V60C	7628981
XC14S036-230A	TXV	34,800	16.00	13.00	CX34-44/48C	SL280UH090XV60C	7783368
XC14S036-230A	TXV	34,600	15.50	12.50	CX34-44/48C	SL280UH110V60C	7628985
XC14S036-230A	TXV	34,600	15.50	12.50	CX34-44/48C	SL280UH110XV60C	7783369
XC14S036-230A	TXV	34,400	15.50	12.50	CX34-44/48C	SLP98UH090XV36C	7783361
XC14S036-230A	TXV	34,200	16.00	13.00	CX34-44/48C	SLP98UH090XV48C	7783362
XC14S036-230A	TXV	34,800	16.00	13.00	CX34-44/48C	SLP98UH110XV60C	7628949
XC14S036-230A	TXV	33,800	14.50	12.00	CX34-44/48C		7628602
XC14S036-230A	TXV	35,200	16.00	13.00	CX34-49	EL180UH090E60C	7783268
XC14S036-230A	TXV	35,000	16.00	13.00	CX34-49	EL180UH110E60C	7628754
XC14S036-230A	TXV	35,000	16.00	13.00	CX34-49	EL180UH110XE60C	7783269
XC14S036-230A	TXV	34,800	16.00	13.00	CX34-49	EL195UH090XE48C	7628757
XC14S036-230A	TXV	35,200	16.00	13.00	CX34-49	EL195UH110XE60C	7783266
XC14S036-230A	TXV	34,800	16.00	13.00	CX34-49	EL296UH090XE48C	7628737
XC14S036-230A	TXV	35,200	16.00	13.00	CX34-49	EL296UH090XV36C	7628741
XC14S036-230A	TXV	35,000	16.00	13.00	CX34-49	EL296UH090XV48C	7628745
XC14S036-230A	TXV	35,200	16.00	13.00	CX34-49	EL296UH110XE60C	7628740
XC14S036-230A	TXV	35,200	16.00	13.00	CX34-49	EL296UH110XV48C	7783264
XC14S036-230A	TXV	35,600	16.00	13.00	CX34-49	EL296UH110XV60C	7628734
XC14S036-230A	TXV	35,600	16.00	13.00	CX34-49	SL280UH090V60C	7783272
XC14S036-230A	TXV	35,600	16.00	13.00	CX34-49	SL280UH090XV60C	7628766
XC14S036-230A	TXV	35,400	16.00	13.00	CX34-49	SL280UH110V60C	7628748
XC14S036-230A	TXV	35,400	16.00	13.00	CX34-49	SL280UH110XV60C	7628751
XC14S036-230A	TXV	35,200	16.00	13.00	CX34-49	SLP98UH090XV36C	7783267
XC14S036-230A	TXV	35,000	16.00	13.00	CX34-49	SLP98UH090XV48C	7628731
XC14S036-230A	TXV	35,600	16.00	13.00	CX34-49	SLP98UH110XV60C	7783265
XC14S036-230A	TXV	34,600	14.50	12.20	CX34-49		7783236
XC14S036-230A	TXV	34,800	16.00	13.00	CX34-50/60C	EL180UH090E60C	7783353
XC14S036-230A	TXV	34,800	16.00	13.00	CX34-50/60C	EL180UH110E60C	7628940
XC14S036-230A	TXV	34,800	16.00	13.00	CX34-50/60C	EL180UH110XE60C	7783355
XC14S036-230A	TXV	34,600	15.50	12.50	CX34-50/60C	EL195UH090XE48C	7628943
XC14S036-230A	TXV	34,800	16.00	13.00	CX34-50/60C	EL195UH110XE60C	7628946
XC14S036-230A	TXV	34,600	15.50	12.50	CX34-50/60C	EL296UH090XE48C	7783356
XC14S036-230A	TXV	34,800	16.00	13.00	CX34-50/60C	EL296UH090XV36C	7628931
XC14S036-230A	TXV	34,800	16.00	13.00	CX34-50/60C	EL296UH090XV48C	7628934
XC14S036-230A	TXV	34,800	16.00	13.00	CX34-50/60C	EL296UH110XE60C	7783350
XC14S036-230A	TXV	35,000	16.00	13.00	CX34-50/60C	EL296UH110XV48C	7628937
XC14S036-230A	TXV	35,200	16.00	13.00	CX34-50/60C	EL296UH110XV60C	7783347
XC14S036-230A	TXV	35,200	16.00	13.00	CX34-50/60C	SL280UH090V60C	7783358
XC14S036-230A	TXV	35,200	16.00	13.00	CX34-50/60C	SL280UH090XV60C	7628954

NOTES:

TXV = Matched with Thermostatic Expansion Valve.

RFC = Matched with RFC metering device.

AHRI certified to AHRI Standard 210/240 (with 25 ft. of connecting refrigerant lines); 95°F outdoor air temperature, 80°F db / 67°F wb entering evaporator air.

All ratings include the use of a blower time delay relay (TDR). All Lennox variable-speed furnaces and Air Handlers have time delay capabilities. Other Furnaces and Air Handlers may require an optional time delay relay (**58M81**) for field installation. See furnace or air handler specifications to determine if relay is needed.

Also see Expansion Valve Kit Usage Table.

AHRI SYSTEM MATCHES - NORTH / SOUTH REGIONS - S036

NOTE - For the latest up-to-date system matches please visit the AHRI web site at <http://www.ahridirectory.org>

Model No.	Expansion Device	Capacity	SEER	EER	Coil or Air Handler	Furnace	AHRI Reference
XC14S036-230A	TXV	35,000	16.00	13.00	CX34-50/60C	SL280UH110V60C	7783359
XC14S036-230A	TXV	35,000	16.00	13.00	CX34-50/60C	SL280UH110XV60C	7628957
XC14S036-230A	TXV	34,800	16.00	13.00	CX34-50/60C	SLP98UH090XV36C	7783351
XC14S036-230A	TXV	34,800	16.00	13.00	CX34-50/60C	SLP98UH090XV48C	7783352
XC14S036-230A	TXV	35,200	16.00	13.00	CX34-50/60C	SLP98UH110XV60C	7628922
XC14S036-230A	TXV	34,200	14.50	12.20	CX34-50/60C		7783241
XC14S036-230A	TXV	33,200	14.50	12.20	CX35-30/36A	EL180UH045E36A	8263518
XC14S036-230A	TXV	33,200	14.50	12.20	CX35-30/36A	EL180UH045XE36A	8263515
XC14S036-230A	TXV	33,400	15.00	12.20	CX35-30/36A	SL280UH070V36A	8263517
XC14S036-230A	TXV	33,400	15.00	12.20	CX35-30/36A	SL280UH070XV36A	8263513
XC14S036-230A	TXV	33,000	14.00	11.50	CX35-30/36A		8263511
XC14S036-230A	TXV	33,400	15.50	12.50	CX35-30/36B	EL180UH070E36B	8263534
XC14S036-230A	TXV	33,400	15.50	12.50	CX35-30/36B	EL180UH070XE36B	8263522
XC14S036-230A	TXV	33,400	15.10	12.50	CX35-30/36B	EL180UH090E48B	8263535
XC14S036-230A	TXV	33,400	15.10	12.50	CX35-30/36B	EL180UH090XE48B	8263524
XC14S036-230A	TXV	33,000	15.00	12.50	CX35-30/36B	EL195UH045XE36B	8263537
XC14S036-230A	TXV	33,200	14.50	12.00	CX35-30/36B	EL195UH070XE36B	8263539
XC14S036-230A	TXV	33,000	15.00	12.50	CX35-30/36B	EL296UH045XE36B	8263525
XC14S036-230A	TXV	33,400	15.00	12.50	CX35-30/36B	EL296UH045XV36B	8263540
XC14S036-230A	TXV	33,200	14.50	12.00	CX35-30/36B	EL296UH070XE36B	8263527
XC14S036-230A	TXV	33,400	15.00	12.50	CX35-30/36B	EL296UH070XV36B	8263529
XC14S036-230A	TXV	33,600	15.50	12.50	CX35-30/36B	SL280UH090V36B	8263530
XC14S036-230A	TXV	33,600	15.50	12.50	CX35-30/36B	SL280UH090V48B	8263544
XC14S036-230A	TXV	33,600	15.50	12.50	CX35-30/36B	SL280UH090XV48B	8263532
XC14S036-230A	TXV	33,400	15.00	12.50	CX35-30/36B	SLP98UH070XV36B	8263542
XC14S036-230A	TXV	33,000	14.00	11.50	CX35-30/36B		8263520
XC14S036-230A	TXV	33,600	15.10	12.50	CX35-30/36C	EL180UH090E60C	8263558
XC14S036-230A	TXV	33,400	15.50	12.50	CX35-30/36C	EL180UH110E60C	8263555
XC14S036-230A	TXV	33,400	15.50	12.50	CX35-30/36C	EL180UH110XE60C	8263559
XC14S036-230A	TXV	33,200	15.10	12.50	CX35-30/36C	EL195UH090XE48C	8263546
XC14S036-230A	TXV	33,600	15.10	12.50	CX35-30/36C	EL195UH110XE60C	8263548
XC14S036-230A	TXV	33,200	15.10	12.50	CX35-30/36C	EL296UH090XE48C	8263561
XC14S036-230A	TXV	33,600	15.50	12.50	CX35-30/36C	EL296UH090XV36C	8263550
XC14S036-230A	TXV	33,400	15.50	12.50	CX35-30/36C	EL296UH090XV48C	8263551
XC14S036-230A	TXV	33,600	15.10	12.50	CX35-30/36C	EL296UH110XE60C	8263563
XC14S036-230A	TXV	33,600	15.50	12.50	CX35-30/36C	EL296UH110XV48C	8263553
XC14S036-230A	TXV	33,600	15.50	12.50	CX35-30/36C	SLP98UH090XV36C	8263564
XC14S036-230A	TXV	33,400	15.50	12.50	CX35-30/36C	SLP98UH090XV48C	8263566
XC14S036-230A	TXV	33,800	15.50	12.50	CX35-30/36C	SLP98UH110XV60C	8263556
XC14S036-230A	TXV	33,000	14.00	11.50	CX35-30/36C		8263545
XC14S036-230A	TXV	34,200	15.10	12.50	CX35-30A	EL180UH045E36A	8263483
XC14S036-230A	TXV	34,200	15.10	12.50	CX35-30A	EL180UH045XE36A	8263481
XC14S036-230A	TXV	34,400	15.10	12.50	CX35-30A	SL280UH070V36A	8263485
XC14S036-230A	TXV	34,400	15.10	12.50	CX35-30A	SL280UH070XV36A	8263480
XC14S036-230A	TXV	34,000	14.50	12.00	CX35-30A		8263478
XC14S036-230A	TXV	34,400	15.00	12.50	CX35-30B	EL180UH070E36B	8263506
XC14S036-230A	TXV	34,400	15.00	12.50	CX35-30B	EL180UH070XE36B	8263493
XC14S036-230A	TXV	34,400	15.50	12.50	CX35-30B	EL180UH090E48B	8263508
XC14S036-230A	TXV	34,400	15.50	12.50	CX35-30B	EL180UH090XE48B	8263495

NOTES:

TXV = Matched with Thermostatic Expansion Valve.

RFC = Matched with RFC metering device.

AHRI certified to AHRI Standard 210/240 (with 25 ft. of connecting refrigerant lines); 95°F outdoor air temperature, 80°F db / 67°F wb entering evaporator air.

All ratings include the use of a blower time delay relay (TDR). All Lennox variable-speed furnaces and Air Handlers have time delay capabilities. Other Furnaces and Air Handlers may require an optional time delay relay (**58M81**) for field installation. See furnace or air handler specifications to determine if relay is needed.

Also see Expansion Valve Kit Usage Table.

AHRI SYSTEM MATCHES - NORTH / SOUTH REGIONS - S036

NOTE - For the latest up-to-date system matches please visit the AHRI web site at <http://www.ahridirectory.org>

Model No.	Expansion Device	Capacity	SEER	EER	Coil or Air Handler	Furnace	AHRI Reference
XC14S036-230A	TXV	34,000	14.50	12.20	CX35-30B	EL195UH045XE36B	8263510
XC14S036-230A	TXV	34,000	15.10	12.50	CX35-30B	EL195UH070XE36B	8263498
XC14S036-230A	TXV	34,000	14.50	12.20	CX35-30B	EL296UH045XE36B	8263496
XC14S036-230A	TXV	34,200	15.10	12.50	CX35-30B	EL296UH045XV36B	8263500
XC14S036-230A	TXV	34,000	15.10	12.50	CX35-30B	EL296UH070XE36B	8263488
XC14S036-230A	TXV	34,200	15.10	12.50	CX35-30B	EL296UH070XV36B	8263490
XC14S036-230A	TXV	34,400	15.50	12.50	CX35-30B	SL280UH090V36B	8263492
XC14S036-230A	TXV	34,400	15.50	12.50	CX35-30B	SL280UH090V48B	8263503
XC14S036-230A	TXV	34,400	15.50	12.50	CX35-30B	SL280UH090XV48B	8263505
XC14S036-230A	TXV	34,200	15.10	12.50	CX35-30B	SLP98UH070XV36B	8263501
XC14S036-230A	TXV	34,000	14.50	12.00	CX35-30B		8263487
XC14S036-230A	TXV	34,400	15.10	12.50	CX35-36A	EL180UH045E36A	8263569
XC14S036-230A	TXV	34,400	15.10	12.50	CX35-36A	EL180UH045XE36A	8263574
XC14S036-230A	TXV	34,600	15.50	12.50	CX35-36A	SL280UH070V36A	8263571
XC14S036-230A	TXV	34,600	15.50	12.50	CX35-36A	SL280UH070XV36A	8263573
XC14S036-230A	TXV	34,200	14.25	12.20	CX35-36A		8263568
XC14S036-230A	TXV	34,600	16.00	13.00	CX35-36B	EL180UH070E36B	8263596
XC14S036-230A	TXV	34,600	16.00	13.00	CX35-36B	EL180UH070XE36B	8263584
XC14S036-230A	TXV	34,600	16.00	13.00	CX35-36B	EL180UH090E48B	8263598
XC14S036-230A	TXV	34,600	16.00	13.00	CX35-36B	EL180UH090XE48B	8263586
XC14S036-230A	TXV	34,400	15.00	12.50	CX35-36B	EL195UH045XE36B	8263599
XC14S036-230A	TXV	34,400	15.00	12.50	CX35-36B	EL195UH070XE36B	8263589
XC14S036-230A	TXV	34,400	15.00	12.50	CX35-36B	EL296UH045XE36B	8263588
XC14S036-230A	TXV	34,600	15.50	12.50	CX35-36B	EL296UH045XV36B	8263591
XC14S036-230A	TXV	34,400	15.00	12.50	CX35-36B	EL296UH070XE36B	8263578
XC14S036-230A	TXV	34,600	15.50	12.50	CX35-36B	EL296UH070XV36B	8263579
XC14S036-230A	TXV	34,800	16.00	13.00	CX35-36B	SL280UH090V36B	8263581
XC14S036-230A	TXV	34,800	16.00	13.00	CX35-36B	SL280UH090V48B	8263594
XC14S036-230A	TXV	34,800	16.00	13.00	CX35-36B	SL280UH090XV48B	8263583
XC14S036-230A	TXV	34,600	15.50	12.50	CX35-36B	SLP98UH070XV36B	8263593
XC14S036-230A	TXV	34,200	14.25	12.20	CX35-36B		8263576
XC14S036-230A	TXV	34,800	16.00	13.00	CX35-48B	EL180UH070E36B	8263605
XC14S036-230A	TXV	34,800	16.00	13.00	CX35-48B	EL180UH070XE36B	8263636
XC14S036-230A	TXV	34,800	16.00	13.00	CX35-48B	EL180UH090E48B	8263608
XC14S036-230A	TXV	34,800	16.00	13.00	CX35-48B	EL180UH090XE48B	8263615
XC14S036-230A	TXV	34,400	15.00	12.50	CX35-48B	EL195UH045XE36B	8263617
XC14S036-230A	TXV	34,600	15.10	12.50	CX35-48B	EL195UH070XE36B	8263623
XC14S036-230A	TXV	34,400	15.00	12.50	CX35-48B	EL296UH045XE36B	8263620
XC14S036-230A	TXV	34,800	15.50	12.50	CX35-48B	EL296UH045XV36B	8263627
XC14S036-230A	TXV	34,600	15.10	12.50	CX35-48B	EL296UH070XE36B	8263625
XC14S036-230A	TXV	34,800	15.50	12.50	CX35-48B	EL296UH070XV36B	8263611
XC14S036-230A	TXV	34,800	16.00	13.00	CX35-48B	SL280UH090V36B	8263630
XC14S036-230A	TXV	35,000	16.00	13.00	CX35-48B	SL280UH090V48B	8263604
XC14S036-230A	TXV	35,000	16.00	13.00	CX35-48B	SL280UH090XV48B	8263633
XC14S036-230A	TXV	34,800	15.50	12.50	CX35-48B	SLP98UH070XV36B	8263612
XC14S036-230A	TXV	34,400	14.50	12.20	CX35-48B		8263602
XC14S036-230A	TXV	34,800	16.00	13.00	CX35-48C	EL180UH090E60C	8263678
XC14S036-230A	TXV	34,800	16.00	13.00	CX35-48C	EL180UH110E60C	8263681
XC14S036-230A	TXV	34,800	16.00	13.00	CX35-48C	EL180UH110XE60C	8263648

NOTES:

TXV = Matched with Thermostatic Expansion Valve.

RFC = Matched with RFC metering device.

AHRI certified to AHRI Standard 210/240 (with 25 ft. of connecting refrigerant lines); 95°F outdoor air temperature, 80°F db / 67°F wb entering evaporator air. All ratings include the use of a blower time delay relay (TDR). All Lennox variable-speed furnaces and Air Handlers have time delay capabilities. Other Furnaces and Air Handlers may require an optional time delay relay (**58M81**) for field installation. See furnace or air handler specifications to determine if relay is needed.

Also see Expansion Valve Kit Usage Table.

AHRI SYSTEM MATCHES - NORTH / SOUTH REGIONS - S036

NOTE - For the latest up-to-date system matches please visit the AHRI web site at <http://www.ahridirectory.org>

Model No.	Expansion Device	Capacity	SEER	EER	Coil or Air Handler	Furnace	AHRI Reference
XC14S036-230A	TXV	34,600	15.50	12.50	CX35-48C	EL195UH090XE48C	8263650
XC14S036-230A	TXV	34,800	16.00	13.00	CX35-48C	EL195UH110XE60C	8263652
XC14S036-230A	TXV	34,600	15.50	12.50	CX35-48C	EL296UH090XE48C	8263662
XC14S036-230A	TXV	34,800	16.00	13.00	CX35-48C	EL296UH090XV36C	8263655
XC14S036-230A	TXV	34,800	16.00	13.00	CX35-48C	EL296UH090XV48C	8263656
XC14S036-230A	TXV	34,600	16.00	13.00	CX35-48C	EL296UH110XE60C	8263664
XC14S036-230A	TXV	35,000	16.00	13.00	CX35-48C	EL296UH110XV48C	8263641
XC14S036-230A	TXV	35,200	16.00	13.00	CX35-48C	EL296UH110XV60C	8263672
XC14S036-230A	TXV	35,400	16.00	13.00	CX35-48C	SL280UH090V60C	8263659
XC14S036-230A	TXV	35,400	16.00	13.00	CX35-48C	SL280UH090XV60C	8263674
XC14S036-230A	TXV	35,200	16.00	13.00	CX35-48C	SL280UH110V60C	8263645
XC14S036-230A	TXV	35,200	16.00	13.00	CX35-48C	SL280UH110XV60C	8263677
XC14S036-230A	TXV	34,800	16.00	13.00	CX35-48C	SLP98UH090XV36C	8263667
XC14S036-230A	TXV	34,800	16.00	13.00	CX35-48C	SLP98UH090XV48C	8263670
XC14S036-230A	TXV	35,200	16.00	13.00	CX35-48C	SLP98UH110XV60C	8263643
XC14S036-230A	TXV	34,400	14.50	12.20	CX35-48C		8263639
XC14S036-230A	TXV	35,200	16.00	13.00	CX35-49C	EL180UH090E60C	8263702
XC14S036-230A	TXV	35,000	16.00	13.00	CX35-49C	EL180UH110E60C	8263713
XC14S036-230A	TXV	35,000	16.00	13.00	CX35-49C	EL180UH110XE60C	8263705
XC14S036-230A	TXV	34,800	16.00	13.00	CX35-49C	EL195UH090XE48C	8263715
XC14S036-230A	TXV	35,200	16.00	13.00	CX35-49C	EL195UH110XE60C	8263717
XC14S036-230A	TXV	34,800	16.00	13.00	CX35-49C	EL296UH090XE48C	8263708
XC14S036-230A	TXV	35,200	16.00	13.00	CX35-49C	EL296UH090XV36C	8263720
XC14S036-230A	TXV	35,000	16.00	13.00	CX35-49C	EL296UH090XV48C	8263723
XC14S036-230A	TXV	35,200	16.00	13.00	CX35-49C	EL296UH110XE60C	8263685
XC14S036-230A	TXV	35,200	16.00	13.00	CX35-49C	EL296UH110XV48C	8263724
XC14S036-230A	TXV	35,600	16.00	13.00	CX35-49C	EL296UH110XV60C	8263694
XC14S036-230A	TXV	35,600	16.00	13.00	CX35-49C	SL280UH090V60C	8263697
XC14S036-230A	TXV	35,600	16.00	13.00	CX35-49C	SL280UH090XV60C	8263727
XC14S036-230A	TXV	35,400	16.00	13.00	CX35-49C	SL280UH110V60C	8263700
XC14S036-230A	TXV	35,400	16.00	13.00	CX35-49C	SL280UH110XV60C	8263730
XC14S036-230A	TXV	35,200	16.00	13.00	CX35-49C	SLP98UH090XV36C	8263688
XC14S036-230A	TXV	35,000	16.00	13.00	CX35-49C	SLP98UH090XV48C	8263692
XC14S036-230A	TXV	35,600	16.00	13.00	CX35-49C	SLP98UH110XV60C	8263710
XC14S036-230A	TXV	34,600	14.50	12.20	CX35-49C		8263683
XC14S036-230A	TXV	34,800	16.00	13.00	CX35-50/60C	EL180UH090E60C	8263774
XC14S036-230A	TXV	34,800	16.00	13.00	CX35-50/60C	EL180UH110E60C	8263739
XC14S036-230A	TXV	34,800	16.00	13.00	CX35-50/60C	EL180UH110XE60C	8263755
XC14S036-230A	TXV	34,600	15.50	12.50	CX35-50/60C	EL195UH090XE48C	8263758
XC14S036-230A	TXV	34,800	16.00	13.00	CX35-50/60C	EL195UH110XE60C	8263762
XC14S036-230A	TXV	34,600	15.50	12.50	CX35-50/60C	EL296UH090XE48C	8263760
XC14S036-230A	TXV	34,800	16.00	13.00	CX35-50/60C	EL296UH090XV36C	8263767
XC14S036-230A	TXV	34,800	16.00	13.00	CX35-50/60C	EL296UH090XV48C	8263749
XC14S036-230A	TXV	34,800	16.00	13.00	CX35-50/60C	EL296UH110XE60C	8263765
XC14S036-230A	TXV	35,000	16.00	13.00	CX35-50/60C	EL296UH110XV48C	8263751
XC14S036-230A	TXV	35,200	16.00	13.00	CX35-50/60C	EL296UH110XV60C	8263746
XC14S036-230A	TXV	35,200	16.00	13.00	CX35-50/60C	SL280UH090V60C	8263734
XC14S036-230A	TXV	35,200	16.00	13.00	CX35-50/60C	SL280UH090XV60C	8263769
XC14S036-230A	TXV	35,000	16.00	13.00	CX35-50/60C	SL280UH110V60C	8263737

NOTES:

TXV = Matched with Thermostatic Expansion Valve.

RFC = Matched with RFC metering device.

AHRI certified to AHRI Standard 210/240 (with 25 ft. of connecting refrigerant lines); 95°F outdoor air temperature, 80°F db / 67°F wb entering evaporator air.

All ratings include the use of a blower time delay relay (TDR). All Lennox variable-speed furnaces and Air Handlers have time delay capabilities. Other Furnaces and Air Handlers may require an optional time delay relay (**58M81**) for field installation. See furnace or air handler specifications to determine if relay is needed.

Also see Expansion Valve Kit Usage Table.

AHRI SYSTEM MATCHES - NORTH / SOUTH REGIONS - S036

NOTE - For the latest up-to-date system matches please visit the AHRI web site at <http://www.ahridirectory.org>

Model No.	Expansion Device	Capacity	SEER	EER	Coil or Air Handler	Furnace	AHRI Reference
XC14S036-230A	TXV	35,000	16.00	13.00	CX35-50/60C	SL280UH110XV60C	8263772
XC14S036-230A	TXV	34,800	16.00	13.00	CX35-50/60C	SLP98UH090XV36C	8263741
XC14S036-230A	TXV	34,800	16.00	13.00	CX35-50/60C	SLP98UH090XV48C	8263744
XC14S036-230A	TXV	35,200	16.00	13.00	CX35-50/60C	SLP98UH110XV60C	8263753
XC14S036-230A	TXV	34,200	14.50	12.20	CX35-50/60C		8263732

NOTES:

TXV = Matched with Thermostatic Expansion Valve.

RFC = Matched with RFC metering device.

AHRI certified to AHRI Standard 210/240 (with 25 ft. of connecting refrigerant lines); 95°F outdoor air temperature, 80°F db / 67°F wb entering evaporator air.

All ratings include the use of a blower time delay relay (TDR). All Lennox variable-speed furnaces and Air Handlers have time delay capabilities. Other Furnaces and Air Handlers may require an optional time delay relay (**58M81**) for field installation. See furnace or air handler specifications to determine if relay is needed.

Also see Expansion Valve Kit Usage Table.

AHRI SYSTEM MATCHES - SOUTHWEST REGION - 036

NOTE - For the latest up-to-date system matches please visit the AHRI web site at <http://www.ahridirectory.org>

Model No.	Expansion Device	Capacity	SEER	EER	Coil or Air Handler	Furnace	AHRI Reference
XC14-036-230A	RFC	34,000	14.25	12.20	C33-43		7514490
XC14-036-230A	RFC	34,400	14.25	12.20	C33-49		7514480
XC14-036-230A	RFC	34,000	14.25	12.20	C33-50/60C		7514525
XC14-036-230A	RFC	34,400	14.00	12.20	C35-49C		8471064
XC14-036-230A	RFC	34,000	14.00	12.20	C35-50/60C		8471066
XC14-036-230A	RFC	33,800	14.00	12.20	CH33-31B		7514517
XC14-036-230A	RFC	34,600	14.50	12.20	CH33-43B		7514509
XC14-036-230A	RFC	34,000	14.25	12.20	CH33-44/48B		7514511
XC14-036-230A	RFC	34,000	14.25	12.20	CH33-48		7514482
XC14-036-230A	RFC	34,600	14.50	12.20	CH33-49		7514483
XC14-036-230A	RFC	34,400	14.25	12.20	CH33-50/60C		7514514
XC14-036-230A	TXV	34,200	15.10	12.50	C33-31A	EL180UH045E36A	7514535
XC14-036-230A	TXV	34,200	15.10	12.50	C33-31A	EL180UH045XE36A	7514536
XC14-036-230A	TXV	34,400	15.10	12.50	C33-31A	SL280UH070V36A	7514533
XC14-036-230A	TXV	34,400	15.10	12.50	C33-31A	SL280UH070XV36A	7514534
XC14-036-230A	TXV	34,400	15.00	12.50	C33-31B	EL180UH070E36B	7515294
XC14-036-230A	TXV	34,400	15.00	12.50	C33-31B	EL180UH070XE36B	7515295
XC14-036-230A	TXV	34,400	15.50	12.50	C33-31B	EL180UH090E48B	7515296
XC14-036-230A	TXV	34,400	15.50	12.50	C33-31B	EL180UH090XE48B	7515297
XC14-036-230A	TXV	34,000	14.50	12.20	C33-31B	EL195UH045XE36B	7515298
XC14-036-230A	TXV	34,000	15.10	12.50	C33-31B	EL195UH070XE36B	7515288
XC14-036-230A	TXV	34,000	14.50	12.20	C33-31B	EL296UH045XE36B	7515287
XC14-036-230A	TXV	34,200	15.10	12.50	C33-31B	EL296UH045XV36B	7515290
XC14-036-230A	TXV	34,000	15.10	12.50	C33-31B	EL296UH070XE36B	7515289
XC14-036-230A	TXV	34,200	15.10	12.50	C33-31B	EL296UH070XV36B	7515291
XC14-036-230A	TXV	34,400	15.50	12.50	C33-31B	SL280UH090V36B	7514537
XC14-036-230A	TXV	34,400	15.50	12.50	C33-31B	SL280UH090V48B	7514538
XC14-036-230A	TXV	34,400	15.50	12.50	C33-31B	SL280UH090XV48B	7515293
XC14-036-230A	TXV	34,200	15.10	12.50	C33-31B	SLP98UH070XV36B	7515292
XC14-036-230A	TXV	33,200	14.50	12.20	C33-36A	EL180UH045E36A	7515283
XC14-036-230A	TXV	33,200	14.50	12.20	C33-36A	EL180UH045XE36A	7515284
XC14-036-230A	TXV	33,400	15.00	12.20	C33-36A	SL280UH070V36A	7515281
XC14-036-230A	TXV	33,400	15.00	12.20	C33-36A	SL280UH070XV36A	7515282
XC14-036-230A	TXV	34,600	15.50	12.50	C33-36B	CBWMV-36B-070	8581797
XC14-036-230A	TXV	33,400	15.50	12.50	C33-36B	EL180UH070E36B	7515276
XC14-036-230A	TXV	33,400	15.50	12.50	C33-36B	EL180UH070XE36B	7515277
XC14-036-230A	TXV	33,400	15.10	12.50	C33-36B	EL180UH090E48B	7515278
XC14-036-230A	TXV	33,400	15.10	12.50	C33-36B	EL180UH090XE48B	7515279
XC14-036-230A	TXV	33,000	15.00	12.50	C33-36B	EL195UH045XE36B	7515280
XC14-036-230A	TXV	33,000	15.00	12.50	C33-36B	EL296UH045XE36B	7515269
XC14-036-230A	TXV	33,400	15.00	12.50	C33-36B	EL296UH045XV36B	7515272
XC14-036-230A	TXV	33,400	15.00	12.50	C33-36B	EL296UH070XV36B	7515273
XC14-036-230A	TXV	33,600	15.50	12.50	C33-36B	SL280UH090V36B	7515285
XC14-036-230A	TXV	33,600	15.50	12.50	C33-36B	SL280UH090V48B	7515286
XC14-036-230A	TXV	33,600	15.50	12.50	C33-36B	SL280UH090XV48B	7515275
XC14-036-230A	TXV	33,400	15.00	12.50	C33-36B	SLP98UH070XV36B	7515274
XC14-036-230A	TXV	33,600	15.10	12.50	C33-36C	EL180UH090E60C	7515263
XC14-036-230A	TXV	33,400	15.50	12.50	C33-36C	EL180UH110E60C	7515264
XC14-036-230A	TXV	33,400	15.50	12.50	C33-36C	EL180UH110XE60C	7515265

NOTES:

TXV = Matched with Thermostatic Expansion Valve.

RFC = Matched with RFC metering device.

AHRI certified to AHRI Standard 210/240 (with 25 ft. of connecting refrigerant lines); 95°F outdoor air temperature, 80°F db / 67°F wb entering evaporator air.

All ratings include the use of a blower time delay relay (TDR). All Lennox variable-speed furnaces and Air Handlers have time delay capabilities. Other Furnaces and Air Handlers may require an optional time delay relay (**58M81**) for field installation. See furnace or air handler specifications to determine if relay is needed.

Also see Expansion Valve Kit Usage Table.

AHRI SYSTEM MATCHES - SOUTHWEST REGION - 036

NOTE - For the latest up-to-date system matches please visit the AHRI web site at <http://www.ahridirectory.org>

Model No.	Expansion Device	Capacity	SEER	EER	Coil or Air Handler	Furnace	AHRI Reference
XC14-036-230A	TXV	33,200	15.10	12.50	C33-36C	EL195UH090XE48C	7515266
XC14-036-230A	TXV	33,600	15.10	12.50	C33-36C	EL195UH110XE60C	7515268
XC14-036-230A	TXV	33,200	15.10	12.50	C33-36C	EL296UH090XE48C	7515267
XC14-036-230A	TXV	33,600	15.50	12.50	C33-36C	EL296UH090XV36C	7515258
XC14-036-230A	TXV	33,400	15.50	12.50	C33-36C	EL296UH090XV48C	7515260
XC14-036-230A	TXV	33,600	15.10	12.50	C33-36C	EL296UH110XE60C	7515257
XC14-036-230A	TXV	33,600	15.50	12.50	C33-36C	EL296UH110XV48C	7515262
XC14-036-230A	TXV	33,600	15.50	12.50	C33-36C	SLP98UH090XV36C	7515259
XC14-036-230A	TXV	33,400	15.50	12.50	C33-36C	SLP98UH090XV48C	7515261
XC14-036-230A	TXV	33,800	15.50	12.50	C33-36C	SLP98UH110XV60C	7514665
XC14-036-230A	TXV	34,400	15.10	12.50	C33-38A	EL180UH045E36A	7515253
XC14-036-230A	TXV	34,400	15.10	12.50	C33-38A	EL180UH045XE36A	7515254
XC14-036-230A	TXV	34,600	15.50	12.50	C33-38A	SL280UH070V36A	7515251
XC14-036-230A	TXV	34,600	15.50	12.50	C33-38A	SL280UH070XV36A	7515252
XC14-036-230A	TXV	34,200	14.25	12.20	C33-38A		7514530
XC14-036-230A	TXV	34,600	16.00	13.00	C33-38B	EL180UH070E36B	7515246
XC14-036-230A	TXV	34,600	16.00	13.00	C33-38B	EL180UH070XE36B	7515247
XC14-036-230A	TXV	34,600	16.00	13.00	C33-38B	EL180UH090E48B	7515248
XC14-036-230A	TXV	34,600	16.00	13.00	C33-38B	EL180UH090XE48B	7515249
XC14-036-230A	TXV	34,400	15.00	12.50	C33-38B	EL195UH045XE36B	7515250
XC14-036-230A	TXV	34,400	15.00	12.50	C33-38B	EL195UH070XE36B	7515240
XC14-036-230A	TXV	34,400	15.00	12.50	C33-38B	EL296UH045XE36B	7515239
XC14-036-230A	TXV	34,600	15.50	12.50	C33-38B	EL296UH045XV36B	7515242
XC14-036-230A	TXV	34,400	15.00	12.50	C33-38B	EL296UH070XE36B	7515241
XC14-036-230A	TXV	34,600	15.50	12.50	C33-38B	EL296UH070XV36B	7515243
XC14-036-230A	TXV	34,800	16.00	13.00	C33-38B	SL280UH090V36B	7515255
XC14-036-230A	TXV	34,800	16.00	13.00	C33-38B	SL280UH090V48B	7515256
XC14-036-230A	TXV	34,800	16.00	13.00	C33-38B	SL280UH090XV48B	7515245
XC14-036-230A	TXV	34,600	15.50	12.50	C33-38B	SLP98UH070XV36B	7515244
XC14-036-230A	TXV	34,200	14.25	12.20	C33-38B		7514532
XC14-036-230A	TXV	33,400	15.50	12.50	C33-42	EL180UH070E36B	7514657
XC14-036-230A	TXV	33,400	15.50	12.50	C33-42	EL180UH070XE36B	7514658
XC14-036-230A	TXV	33,400	15.10	12.50	C33-42	EL180UH090E48B	7514659
XC14-036-230A	TXV	33,400	15.10	12.50	C33-42	EL180UH090XE48B	7514660
XC14-036-230A	TXV	33,000	15.00	12.50	C33-42	EL195UH045XE36B	7514661
XC14-036-230A	TXV	33,000	15.00	12.50	C33-42	EL296UH045XE36B	7514662
XC14-036-230A	TXV	33,400	15.00	12.50	C33-42	EL296UH045XV36B	7514653
XC14-036-230A	TXV	33,400	15.00	12.50	C33-42	EL296UH070XV36B	7514654
XC14-036-230A	TXV	33,600	15.50	12.50	C33-42	SL280UH090V36B	7514666
XC14-036-230A	TXV	33,600	15.50	12.50	C33-42	SL280UH090V48B	7514667
XC14-036-230A	TXV	33,600	15.50	12.50	C33-42	SL280UH090XV48B	7514668
XC14-036-230A	TXV	33,400	15.00	12.50	C33-42	SLP98UH070XV36B	7514655
XC14-036-230A	TXV	34,800	16.00	13.00	C33-43B	EL180UH070E36B	7515236
XC14-036-230A	TXV	34,800	16.00	13.00	C33-43B	EL180UH070XE36B	7515237
XC14-036-230A	TXV	34,800	16.00	13.00	C33-43B	EL180UH090E48B	7515238
XC14-036-230A	TXV	34,800	16.00	13.00	C33-43B	EL180UH090XE48B	7515227
XC14-036-230A	TXV	34,400	15.00	12.50	C33-43B	EL195UH045XE36B	7515228
XC14-036-230A	TXV	34,600	15.10	12.50	C33-43B	EL195UH070XE36B	7515230
XC14-036-230A	TXV	34,400	15.00	12.50	C33-43B	EL296UH045XE36B	7515229

NOTES:

TXV = Matched with Thermostatic Expansion Valve.

RFC = Matched with RFC metering device.

AHRI certified to AHRI Standard 210/240 (with 25 ft. of connecting refrigerant lines); 95°F outdoor air temperature, 80°F db / 67°F wb entering evaporator air.

All ratings include the use of a blower time delay relay (TDR). All Lennox variable-speed furnaces and Air Handlers have time delay capabilities. Other Furnaces and Air Handlers may require an optional time delay relay (**58M81**) for field installation. See furnace or air handler specifications to determine if relay is needed.

Also see Expansion Valve Kit Usage Table.

AHRI SYSTEM MATCHES - SOUTHWEST REGION - 036

NOTE - For the latest up-to-date system matches please visit the AHRI web site at <http://www.ahridirectory.org>

Model No.	Expansion Device	Capacity	SEER	EER	Coil or Air Handler	Furnace	AHRI Reference
XC14-036-230A	TXV	34,800	15.50	12.50	C33-43B	EL296UH045XV36B	7515232
XC14-036-230A	TXV	34,600	15.10	12.50	C33-43B	EL296UH070XE36B	7515231
XC14-036-230A	TXV	34,800	15.50	12.50	C33-43B	EL296UH070XV36B	7515221
XC14-036-230A	TXV	34,800	16.00	13.00	C33-43B	SL280UH090V36B	7515233
XC14-036-230A	TXV	35,000	16.00	13.00	C33-43B	SL280UH090V48B	7515234
XC14-036-230A	TXV	35,000	16.00	13.00	C33-43B	SL280UH090XV48B	7515235
XC14-036-230A	TXV	34,800	15.50	12.50	C33-43B	SLP98UH070XV36B	7515222
XC14-036-230A	TXV	34,400	14.50	12.20	C33-43B		7514521
XC14-036-230A	TXV	34,800	16.00	13.00	C33-43C	EL180UH090E60C	7515215
XC14-036-230A	TXV	34,800	16.00	13.00	C33-43C	EL180UH110E60C	7515216
XC14-036-230A	TXV	34,800	16.00	13.00	C33-43C	EL180UH110XE60C	7515217
XC14-036-230A	TXV	34,600	15.50	12.50	C33-43C	EL195UH090XE48C	7515218
XC14-036-230A	TXV	34,800	16.00	13.00	C33-43C	EL195UH110XE60C	7515220
XC14-036-230A	TXV	34,600	15.50	12.50	C33-43C	EL296UH090XE48C	7515219
XC14-036-230A	TXV	34,800	16.00	13.00	C33-43C	EL296UH090XV36C	7515210
XC14-036-230A	TXV	34,800	16.00	13.00	C33-43C	EL296UH090XV48C	7515212
XC14-036-230A	TXV	34,800	16.00	13.00	C33-43C	EL296UH110XE60C	7515209
XC14-036-230A	TXV	35,000	16.00	13.00	C33-43C	EL296UH110XV48C	7515214
XC14-036-230A	TXV	35,200	16.00	13.00	C33-43C	EL296UH110XV60C	7515203
XC14-036-230A	TXV	35,400	16.00	13.00	C33-43C	SL280UH090V60C	7515223
XC14-036-230A	TXV	35,400	16.00	13.00	C33-43C	SL280UH090XV60C	7515224
XC14-036-230A	TXV	35,200	16.00	13.00	C33-43C	SL280UH110V60C	7515225
XC14-036-230A	TXV	35,200	16.00	13.00	C33-43C	SL280UH110XV60C	7515226
XC14-036-230A	TXV	34,800	16.00	13.00	C33-43C	SLP98UH090XV36C	7515211
XC14-036-230A	TXV	34,800	16.00	13.00	C33-43C	SLP98UH090XV48C	7515213
XC14-036-230A	TXV	35,200	16.00	13.00	C33-43C	SLP98UH110XV60C	7515204
XC14-036-230A	TXV	34,400	14.50	12.20	C33-43C		7514522
XC14-036-230A	TXV	34,200	16.00	13.00	C33-48B	EL180UH070E36B	7515208
XC14-036-230A	TXV	34,200	16.00	13.00	C33-48B	EL180UH070XE36B	7515197
XC14-036-230A	TXV	34,200	15.50	12.50	C33-48B	EL180UH090E48B	7515198
XC14-036-230A	TXV	34,200	15.50	12.50	C33-48B	EL180UH090XE48B	7515199
XC14-036-230A	TXV	33,800	15.10	12.50	C33-48B	EL195UH045XE36B	7515200
XC14-036-230A	TXV	34,200	15.00	12.50	C33-48B	EL195UH070XE36B	7515202
XC14-036-230A	TXV	33,800	15.10	12.50	C33-48B	EL296UH045XE36B	7515201
XC14-036-230A	TXV	34,200	15.10	12.50	C33-48B	EL296UH045XV36B	7515192
XC14-036-230A	TXV	34,200	15.00	12.50	C33-48B	EL296UH070XE36B	7515191
XC14-036-230A	TXV	34,200	15.10	12.50	C33-48B	EL296UH070XV36B	7515193
XC14-036-230A	TXV	34,400	16.00	13.00	C33-48B	SL280UH090V36B	7515205
XC14-036-230A	TXV	34,400	16.00	13.00	C33-48B	SL280UH090V48B	7515206
XC14-036-230A	TXV	34,400	16.00	13.00	C33-48B	SL280UH090XV48B	7515207
XC14-036-230A	TXV	34,000	15.10	12.50	C33-48B	SLP98UH070XV36B	7515194
XC14-036-230A	TXV	34,200	15.10	12.50	C33-48C	EL195UH090XE48C	7515195
XC14-036-230A	TXV	34,400	15.50	12.50	C33-48C	EL195UH110XE60C	7515185
XC14-036-230A	TXV	34,200	15.10	12.50	C33-48C	EL296UH090XE48C	7515196
XC14-036-230A	TXV	34,400	15.50	12.50	C33-48C	EL296UH090XV36C	7515187
XC14-036-230A	TXV	34,400	15.50	12.50	C33-48C	EL296UH090XV48C	7515189
XC14-036-230A	TXV	34,400	15.50	12.50	C33-48C	EL296UH110XE60C	7515186
XC14-036-230A	TXV	34,400	15.50	12.50	C33-48C	SLP98UH090XV36C	7515188
XC14-036-230A	TXV	34,400	15.50	12.50	C33-48C	SLP98UH090XV48C	7515190

NOTES:

TXV = Matched with Thermostatic Expansion Valve.

RFC = Matched with RFC metering device.

AHRI certified to AHRI Standard 210/240 (with 25 ft. of connecting refrigerant lines); 95°F outdoor air temperature, 80°F db / 67°F wb entering evaporator air.

All ratings include the use of a blower time delay relay (TDR). All Lennox variable-speed furnaces and Air Handlers have time delay capabilities. Other Furnaces and Air Handlers may require an optional time delay relay (**58M81**) for field installation. See furnace or air handler specifications to determine if relay is needed.

Also see Expansion Valve Kit Usage Table.

AHRI SYSTEM MATCHES - SOUTHWEST REGION - 036

NOTE - For the latest up-to-date system matches please visit the AHRI web site at <http://www.ahridirectory.org>

Model No.	Expansion Device	Capacity	SEER	EER	Coil or Air Handler	Furnace	AHRI Reference
XC14-036-230A	TXV	35,200	16.00	13.00	C33-49	EL180UH090E60C	7514648
XC14-036-230A	TXV	35,000	16.00	13.00	C33-49	EL180UH110E60C	7514649
XC14-036-230A	TXV	35,000	16.00	13.00	C33-49	EL180UH110XE60C	7514650
XC14-036-230A	TXV	34,800	16.00	13.00	C33-49	EL195UH090XE48C	7514639
XC14-036-230A	TXV	35,200	16.00	13.00	C33-49	EL195UH110XE60C	7514641
XC14-036-230A	TXV	34,800	16.00	13.00	C33-49	EL296UH090XE48C	7514640
XC14-036-230A	TXV	35,200	16.00	13.00	C33-49	EL296UH090XV36C	7514643
XC14-036-230A	TXV	35,000	16.00	13.00	C33-49	EL296UH090XV48C	7514633
XC14-036-230A	TXV	35,200	16.00	13.00	C33-49	EL296UH110XE60C	7514642
XC14-036-230A	TXV	35,200	16.00	13.00	C33-49	EL296UH110XV48C	7514635
XC14-036-230A	TXV	35,600	16.00	13.00	C33-49	EL296UH110XV60C	7514636
XC14-036-230A	TXV	35,600	16.00	13.00	C33-49	SL280UH090V60C	7514656
XC14-036-230A	TXV	35,600	16.00	13.00	C33-49	SL280UH090XV60C	7514645
XC14-036-230A	TXV	35,400	16.00	13.00	C33-49	SL280UH110V60C	7514646
XC14-036-230A	TXV	35,400	16.00	13.00	C33-49	SL280UH110XV60C	7514647
XC14-036-230A	TXV	35,200	16.00	13.00	C33-49	SLP98UH090XV36C	7514644
XC14-036-230A	TXV	35,000	16.00	13.00	C33-49	SLP98UH090XV48C	7514634
XC14-036-230A	TXV	35,600	16.00	13.00	C33-49	SLP98UH110XV60C	7514637
XC14-036-230A	TXV	34,600	14.50	12.20	C33-49		7514481
XC14-036-230A	TXV	34,800	16.00	13.00	C33-50/60C	EL180UH090E60C	7515183
XC14-036-230A	TXV	34,800	16.00	13.00	C33-50/60C	EL180UH110E60C	7515184
XC14-036-230A	TXV	34,800	16.00	13.00	C33-50/60C	EL180UH110XE60C	7515173
XC14-036-230A	TXV	34,600	15.50	12.50	C33-50/60C	EL195UH090XE48C	7515174
XC14-036-230A	TXV	34,800	16.00	13.00	C33-50/60C	EL195UH110XE60C	7515176
XC14-036-230A	TXV	34,600	15.50	12.50	C33-50/60C	EL296UH090XE48C	7515175
XC14-036-230A	TXV	34,800	16.00	13.00	C33-50/60C	EL296UH090XV36C	7515178
XC14-036-230A	TXV	34,800	16.00	13.00	C33-50/60C	EL296UH090XV48C	7515168
XC14-036-230A	TXV	34,800	16.00	13.00	C33-50/60C	EL296UH110XE60C	7515177
XC14-036-230A	TXV	35,000	16.00	13.00	C33-50/60C	EL296UH110XV48C	7515170
XC14-036-230A	TXV	35,200	16.00	13.00	C33-50/60C	EL296UH110XV60C	7515171
XC14-036-230A	TXV	35,200	16.00	13.00	C33-50/60C	SL280UH090V60C	7515179
XC14-036-230A	TXV	35,200	16.00	13.00	C33-50/60C	SL280UH090XV60C	7515180
XC14-036-230A	TXV	35,000	16.00	13.00	C33-50/60C	SL280UH110V60C	7515181
XC14-036-230A	TXV	35,000	16.00	13.00	C33-50/60C	SL280UH110XV60C	7515182
XC14-036-230A	TXV	34,800	16.00	13.00	C33-50/60C	SLP98UH090XV36C	7515167
XC14-036-230A	TXV	34,800	16.00	13.00	C33-50/60C	SLP98UH090XV48C	7515169
XC14-036-230A	TXV	35,200	16.00	13.00	C33-50/60C	SLP98UH110XV60C	7515172
XC14-036-230A	TXV	34,200	14.50	12.20	C33-50/60C		7514526
XC14-036-230A	TXV	33,200	14.50	12.20	C35-30/36A	EL180UH045E36A	8265803
XC14-036-230A	TXV	33,200	14.50	12.20	C35-30/36A	EL180UH045XE36A	8265804
XC14-036-230A	TXV	33,400	15.00	12.20	C35-30/36A	SL280UH070V36A	8265801
XC14-036-230A	TXV	33,400	15.00	12.20	C35-30/36A	SL280UH070XV36A	8265802
XC14-036-230A	TXV	33,400	15.50	12.50	C35-30/36B	EL180UH070E36B	8265810
XC14-036-230A	TXV	33,400	15.50	12.50	C35-30/36B	EL180UH070XE36B	8265811
XC14-036-230A	TXV	33,400	15.10	12.50	C35-30/36B	EL180UH090E48B	8265812
XC14-036-230A	TXV	33,400	15.10	12.50	C35-30/36B	EL180UH090XE48B	8265813
XC14-036-230A	TXV	33,000	15.00	12.50	C35-30/36B	EL195UH045XE36B	8265814
XC14-036-230A	TXV	33,000	15.00	12.50	C35-30/36B	EL296UH045XE36B	8265805
XC14-036-230A	TXV	33,400	15.00	12.50	C35-30/36B	EL296UH045XV36B	8265806

NOTES:

TXV = Matched with Thermostatic Expansion Valve.

RFC = Matched with RFC metering device.

AHRI certified to AHRI Standard 210/240 (with 25 ft. of connecting refrigerant lines); 95°F outdoor air temperature, 80°F db / 67°F wb entering evaporator air.

All ratings include the use of a blower time delay relay (TDR). All Lennox variable-speed furnaces and Air Handlers have time delay capabilities. Other Furnaces and Air Handlers may require an optional time delay relay (**58M81**) for field installation. See furnace or air handler specifications to determine if relay is needed.

Also see Expansion Valve Kit Usage Table.

AHRI SYSTEM MATCHES - SOUTHWEST REGION - 036

NOTE - For the latest up-to-date system matches please visit the AHRI web site at <http://www.ahridirectory.org>

Model No.	Expansion Device	Capacity	SEER	EER	Coil or Air Handler	Furnace	AHRI Reference
XC14-036-230A	TXV	33,400	15.00	12.50	C35-30/36B	EL296UH070XV36B	8265807
XC14-036-230A	TXV	33,600	15.50	12.50	C35-30/36B	SL280UH090V36B	8265815
XC14-036-230A	TXV	33,600	15.50	12.50	C35-30/36B	SL280UH090V48B	8265816
XC14-036-230A	TXV	33,600	15.50	12.50	C35-30/36B	SL280UH090XV48B	8265809
XC14-036-230A	TXV	33,400	15.00	12.50	C35-30/36B	SLP98UH070XV36B	8265808
XC14-036-230A	TXV	33,600	15.10	12.50	C35-30/36C	EL180UH090E60C	8265824
XC14-036-230A	TXV	33,400	15.50	12.50	C35-30/36C	EL180UH110E60C	8265825
XC14-036-230A	TXV	33,400	15.50	12.50	C35-30/36C	EL180UH110XE60C	8265826
XC14-036-230A	TXV	33,200	15.10	12.50	C35-30/36C	EL195UH090XE48C	8265827
XC14-036-230A	TXV	33,600	15.10	12.50	C35-30/36C	EL195UH110XE60C	8265829
XC14-036-230A	TXV	33,200	15.10	12.50	C35-30/36C	EL296UH090XE48C	8265828
XC14-036-230A	TXV	33,600	15.50	12.50	C35-30/36C	EL296UH090XV36C	8265819
XC14-036-230A	TXV	33,400	15.50	12.50	C35-30/36C	EL296UH090XV48C	8265821
XC14-036-230A	TXV	33,600	15.10	12.50	C35-30/36C	EL296UH110XE60C	8265818
XC14-036-230A	TXV	33,600	15.50	12.50	C35-30/36C	EL296UH110XV48C	8265823
XC14-036-230A	TXV	33,600	15.50	12.50	C35-30/36C	SLP98UH090XV36C	8265820
XC14-036-230A	TXV	33,400	15.50	12.50	C35-30/36C	SLP98UH090XV48C	8265822
XC14-036-230A	TXV	33,800	15.50	12.50	C35-30/36C	SLP98UH110XV60C	8265817
XC14-036-230A	TXV	34,200	15.10	12.50	C35-30A	EL180UH045E36A	8265785
XC14-036-230A	TXV	34,200	15.10	12.50	C35-30A	EL180UH045XE36A	8265786
XC14-036-230A	TXV	34,400	15.10	12.50	C35-30A	SL280UH070V36A	8265783
XC14-036-230A	TXV	34,400	15.10	12.50	C35-30A	SL280UH070XV36A	8265784
XC14-036-230A	TXV	34,400	15.00	12.50	C35-30B	EL180UH070E36B	8265796
XC14-036-230A	TXV	34,400	15.00	12.50	C35-30B	EL180UH070XE36B	8265797
XC14-036-230A	TXV	34,400	15.50	12.50	C35-30B	EL180UH090E48B	8265798
XC14-036-230A	TXV	34,400	15.50	12.50	C35-30B	EL180UH090XE48B	8265799
XC14-036-230A	TXV	34,000	14.50	12.20	C35-30B	EL195UH045XE36B	8265800
XC14-036-230A	TXV	34,000	15.10	12.50	C35-30B	EL195UH070XE36B	8265790
XC14-036-230A	TXV	34,000	14.50	12.20	C35-30B	EL296UH045XE36B	8265789
XC14-036-230A	TXV	34,200	15.10	12.50	C35-30B	EL296UH045XV36B	8265792
XC14-036-230A	TXV	34,000	15.10	12.50	C35-30B	EL296UH070XE36B	8265791
XC14-036-230A	TXV	34,200	15.10	12.50	C35-30B	EL296UH070XV36B	8265793
XC14-036-230A	TXV	34,400	15.50	12.50	C35-30B	SL280UH090V36B	8265787
XC14-036-230A	TXV	34,400	15.50	12.50	C35-30B	SL280UH090V48B	8265788
XC14-036-230A	TXV	34,400	15.50	12.50	C35-30B	SL280UH090XV48B	8265795
XC14-036-230A	TXV	34,200	15.10	12.50	C35-30B	SLP98UH070XV36B	8265794
XC14-036-230A	TXV	34,400	15.10	12.50	C35-36A	EL180UH045E36A	8265833
XC14-036-230A	TXV	34,400	15.10	12.50	C35-36A	EL180UH045XE36A	8265834
XC14-036-230A	TXV	34,600	15.50	12.50	C35-36A	SL280UH070V36A	8265831
XC14-036-230A	TXV	34,600	15.50	12.50	C35-36A	SL280UH070XV36A	8265832
XC14-036-230A	TXV	34,200	14.25	12.20	C35-36A		8265830
XC14-036-230A	TXV	34,600	16.00	13.00	C35-36B	EL180UH070E36B	8265843
XC14-036-230A	TXV	34,600	16.00	13.00	C35-36B	EL180UH070XE36B	8265844
XC14-036-230A	TXV	34,600	16.00	13.00	C35-36B	EL180UH090E48B	8265845
XC14-036-230A	TXV	34,600	16.00	13.00	C35-36B	EL180UH090XE48B	8265846
XC14-036-230A	TXV	34,400	15.00	12.50	C35-36B	EL195UH045XE36B	8265847
XC14-036-230A	TXV	34,400	15.00	12.50	C35-36B	EL195UH070XE36B	8265837
XC14-036-230A	TXV	34,400	15.00	12.50	C35-36B	EL296UH045XE36B	8265836
XC14-036-230A	TXV	34,600	15.50	12.50	C35-36B	EL296UH045XV36B	8265839

NOTES:

TXV = Matched with Thermostatic Expansion Valve.

RFC = Matched with RFC metering device.

AHRI certified to AHRI Standard 210/240 (with 25 ft. of connecting refrigerant lines); 95°F outdoor air temperature, 80°F db / 67°F wb entering evaporator air.

All ratings include the use of a blower time delay relay (TDR). All Lennox variable-speed furnaces and Air Handlers have time delay capabilities. Other Furnaces and Air Handlers may require an optional time delay relay (**58M81**) for field installation. See furnace or air handler specifications to determine if relay is needed.

Also see Expansion Valve Kit Usage Table.

AHRI SYSTEM MATCHES - SOUTHWEST REGION - 036

NOTE - For the latest up-to-date system matches please visit the AHRI web site at <http://www.ahridirectory.org>

Model No.	Expansion Device	Capacity	SEER	EER	Coil or Air Handler	Furnace	AHRI Reference
XC14-036-230A	TXV	34,400	15.00	12.50	C35-36B	EL296UH070XE36B	8265838
XC14-036-230A	TXV	34,600	15.50	12.50	C35-36B	EL296UH070XV36B	8265840
XC14-036-230A	TXV	34,800	16.00	13.00	C35-36B	SL280UH090V36B	8265848
XC14-036-230A	TXV	34,800	16.00	13.00	C35-36B	SL280UH090V48B	8265849
XC14-036-230A	TXV	34,800	16.00	13.00	C35-36B	SL280UH090XV48B	8265842
XC14-036-230A	TXV	34,600	15.50	12.50	C35-36B	SLP98UH070XV36B	8265841
XC14-036-230A	TXV	34,200	14.25	12.20	C35-36B		8265835
XC14-036-230A	TXV	34,800	16.00	13.00	C35-48B	EL180UH070E36B	8265862
XC14-036-230A	TXV	34,800	16.00	13.00	C35-48B	EL180UH070XE36B	8265863
XC14-036-230A	TXV	34,800	16.00	13.00	C35-48B	EL180UH090E48B	8265864
XC14-036-230A	TXV	34,800	16.00	13.00	C35-48B	EL180UH090XE48B	8265853
XC14-036-230A	TXV	34,400	15.00	12.50	C35-48B	EL195UH045XE36B	8265854
XC14-036-230A	TXV	34,600	15.10	12.50	C35-48B	EL195UH070XE36B	8265856
XC14-036-230A	TXV	34,400	15.00	12.50	C35-48B	EL296UH045XE36B	8265855
XC14-036-230A	TXV	34,800	15.50	12.50	C35-48B	EL296UH045XV36B	8265858
XC14-036-230A	TXV	34,600	15.10	12.50	C35-48B	EL296UH070XE36B	8265857
XC14-036-230A	TXV	34,800	15.50	12.50	C35-48B	EL296UH070XV36B	8265851
XC14-036-230A	TXV	34,800	16.00	13.00	C35-48B	SL280UH090V36B	8265859
XC14-036-230A	TXV	35,000	16.00	13.00	C35-48B	SL280UH090V48B	8265860
XC14-036-230A	TXV	35,000	16.00	13.00	C35-48B	SL280UH090XV48B	8265861
XC14-036-230A	TXV	34,800	15.50	12.50	C35-48B	SLP98UH070XV36B	8265852
XC14-036-230A	TXV	34,400	14.50	12.20	C35-48B		8265850
XC14-036-230A	TXV	34,800	16.00	13.00	C35-48C	EL180UH090E60C	8265874
XC14-036-230A	TXV	34,800	16.00	13.00	C35-48C	EL180UH110E60C	8265875
XC14-036-230A	TXV	34,800	16.00	13.00	C35-48C	EL180UH110XE60C	8265876
XC14-036-230A	TXV	34,600	15.50	12.50	C35-48C	EL195UH090XE48C	8265877
XC14-036-230A	TXV	34,800	16.00	13.00	C35-48C	EL195UH110XE60C	8265879
XC14-036-230A	TXV	34,600	15.50	12.50	C35-48C	EL296UH090XE48C	8265878
XC14-036-230A	TXV	34,800	16.00	13.00	C35-48C	EL296UH090XV36C	8265869
XC14-036-230A	TXV	34,800	16.00	13.00	C35-48C	EL296UH090XV48C	8265871
XC14-036-230A	TXV	34,600	16.00	13.00	C35-48C	EL296UH110XE60C	8265868
XC14-036-230A	TXV	35,000	16.00	13.00	C35-48C	EL296UH110XV48C	8265873
XC14-036-230A	TXV	35,200	16.00	13.00	C35-48C	EL296UH110XV60C	8265866
XC14-036-230A	TXV	35,400	16.00	13.00	C35-48C	SL280UH090V60C	8265880
XC14-036-230A	TXV	35,400	16.00	13.00	C35-48C	SL280UH090XV60C	8265881
XC14-036-230A	TXV	35,200	16.00	13.00	C35-48C	SL280UH110V60C	8265882
XC14-036-230A	TXV	35,200	16.00	13.00	C35-48C	SL280UH110XV60C	8265883
XC14-036-230A	TXV	34,800	16.00	13.00	C35-48C	SLP98UH090XV36C	8265870
XC14-036-230A	TXV	34,800	16.00	13.00	C35-48C	SLP98UH090XV48C	8265872
XC14-036-230A	TXV	35,200	16.00	13.00	C35-48C	SLP98UH110XV60C	8265867
XC14-036-230A	TXV	34,400	14.50	12.20	C35-48C		8265865
XC14-036-230A	TXV	35,200	16.00	13.00	C35-49C	EL180UH090E60C	8265899
XC14-036-230A	TXV	35,000	16.00	13.00	C35-49C	EL180UH110E60C	8265900
XC14-036-230A	TXV	35,000	16.00	13.00	C35-49C	EL180UH110XE60C	8265901
XC14-036-230A	TXV	34,800	16.00	13.00	C35-49C	EL195UH090XE48C	8265890
XC14-036-230A	TXV	35,200	16.00	13.00	C35-49C	EL195UH110XE60C	8265892
XC14-036-230A	TXV	34,800	16.00	13.00	C35-49C	EL296UH090XE48C	8265891
XC14-036-230A	TXV	35,200	16.00	13.00	C35-49C	EL296UH090XV36C	8265894
XC14-036-230A	TXV	35,000	16.00	13.00	C35-49C	EL296UH090XV48C	8265885

NOTES:

TXV = Matched with Thermostatic Expansion Valve.

RFC = Matched with RFC metering device.

AHRI certified to AHRI Standard 210/240 (with 25 ft. of connecting refrigerant lines); 95°F outdoor air temperature, 80°F db / 67°F wb entering evaporator air.

All ratings include the use of a blower time delay relay (TDR). All Lennox variable-speed furnaces and Air Handlers have time delay capabilities. Other Furnaces and Air Handlers may require an optional time delay relay (**58M81**) for field installation. See furnace or air handler specifications to determine if relay is needed.

Also see Expansion Valve Kit Usage Table.

AHRI SYSTEM MATCHES - SOUTHWEST REGION - 036

NOTE - For the latest up-to-date system matches please visit the AHRI web site at <http://www.ahridirectory.org>

Model No.	Expansion Device	Capacity	SEER	EER	Coil or Air Handler	Furnace	AHRI Reference
XC14-036-230A	TXV	35,200	16.00	13.00	C35-49C	EL296UH110XE60C	8265893
XC14-036-230A	TXV	35,200	16.00	13.00	C35-49C	EL296UH110XV48C	8265887
XC14-036-230A	TXV	35,600	16.00	13.00	C35-49C	EL296UH110XV60C	8265888
XC14-036-230A	TXV	35,600	16.00	13.00	C35-49C	SL280UH090V60C	8265902
XC14-036-230A	TXV	35,600	16.00	13.00	C35-49C	SL280UH090XV60C	8265896
XC14-036-230A	TXV	35,400	16.00	13.00	C35-49C	SL280UH110V60C	8265897
XC14-036-230A	TXV	35,400	16.00	13.00	C35-49C	SL280UH110XV60C	8265898
XC14-036-230A	TXV	35,200	16.00	13.00	C35-49C	SLP98UH090XV36C	8265895
XC14-036-230A	TXV	35,000	16.00	13.00	C35-49C	SLP98UH090XV48C	8265886
XC14-036-230A	TXV	35,600	16.00	13.00	C35-49C	SLP98UH110XV60C	8265889
XC14-036-230A	TXV	34,600	14.50	12.20	C35-49C		8265884
XC14-036-230A	TXV	34,800	16.00	13.00	C35-50/60C	EL180UH090E60C	8265920
XC14-036-230A	TXV	34,800	16.00	13.00	C35-50/60C	EL180UH110E60C	8265921
XC14-036-230A	TXV	34,800	16.00	13.00	C35-50/60C	EL180UH110XE60C	8265910
XC14-036-230A	TXV	34,400	15.50	12.50	C35-50/60C	EL195UH090XE48C	8265911
XC14-036-230A	TXV	34,800	16.00	13.00	C35-50/60C	EL195UH110XE60C	8265913
XC14-036-230A	TXV	34,400	15.50	12.50	C35-50/60C	EL296UH090XE48C	8265912
XC14-036-230A	TXV	34,800	16.00	13.00	C35-50/60C	EL296UH090XV36C	8265915
XC14-036-230A	TXV	34,600	16.00	13.00	C35-50/60C	EL296UH090XV48C	8265905
XC14-036-230A	TXV	34,800	16.00	13.00	C35-50/60C	EL296UH110XE60C	8265914
XC14-036-230A	TXV	34,800	16.00	13.00	C35-50/60C	EL296UH110XV48C	8265907
XC14-036-230A	TXV	35,200	16.00	13.00	C35-50/60C	EL296UH110XV60C	8265908
XC14-036-230A	TXV	35,200	16.00	13.00	C35-50/60C	SL280UH090V60C	8265916
XC14-036-230A	TXV	35,200	16.00	13.00	C35-50/60C	SL280UH090XV60C	8265917
XC14-036-230A	TXV	35,000	16.00	13.00	C35-50/60C	SL280UH110V60C	8265918
XC14-036-230A	TXV	35,000	16.00	13.00	C35-50/60C	SL280UH110XV60C	8265919
XC14-036-230A	TXV	34,800	16.00	13.00	C35-50/60C	SLP98UH090XV36C	8265904
XC14-036-230A	TXV	34,600	16.00	13.00	C35-50/60C	SLP98UH090XV48C	8265906
XC14-036-230A	TXV	35,200	16.00	13.00	C35-50/60C	SLP98UH110XV60C	8265909
XC14-036-230A	TXV	34,200	14.50	12.20	C35-50/60C		8265903
XC14-036-230A	TXV	34,200	14.50	12.20	CBX25UH-036		7515161
XC14-036-230A	TXV	34,600	15.00	12.50	CBX25UH-042		7515162
XC14-036-230A	TXV	34,400	15.00	12.50	CBX25UHV-036		7515163
XC14-036-230A	TXV	35,200	16.00	13.00	CBX25UHV-042		7515164
XC14-036-230A	TXV	34,200	16.00	13.00	CBX27UH-036		7515165
XC14-036-230A	TXV	35,200	16.00	13.00	CBX27UH-042		7515166
XC14-036-230A	TXV	33,400	14.50	12.20	CBX32M-030		7515155
XC14-036-230A	TXV	33,800	14.50	12.20	CBX32M-036		7515156
XC14-036-230A	TXV	33,800	14.50	12.20	CBX32M-042		7515157
XC14-036-230A	TXV	34,800	15.10	12.50	CBX32M-048		7515158
XC14-036-230A	TXV	34,000	15.10	12.50	CBX32MV-036		7515159
XC14-036-230A	TXV	35,200	16.00	13.00	CBX32MV-048		7515160
XC14-036-230A	TXV	34,200	15.10	12.50	CBX40UHV-036		7515149
XC14-036-230A	TXV	35,000	15.50	12.50	CBX40UHV-042		7515150
XC14-036-230A	TXV	35,000	16.00	13.00	CBX40UHV-048		7515151
XC14-036-230A	TXV	33,600	15.00	12.50	CH23-41	EL180UH045E36A	7515154
XC14-036-230A	TXV	33,600	15.00	12.50	CH23-41	EL180UH045XE36A	7515143
XC14-036-230A	TXV	33,800	15.50	12.50	CH23-41	EL180UH070E36B	7515144
XC14-036-230A	TXV	33,800	15.50	12.50	CH23-41	EL180UH070XE36B	7515145

NOTES:

TXV = Matched with Thermostatic Expansion Valve.

RFC = Matched with RFC metering device.

AHRI certified to AHRI Standard 210/240 (with 25 ft. of connecting refrigerant lines); 95°F outdoor air temperature, 80°F db / 67°F wb entering evaporator air.

All ratings include the use of a blower time delay relay (TDR). All Lennox variable-speed furnaces and Air Handlers have time delay capabilities. Other Furnaces and Air Handlers may require an optional time delay relay (**58M81**) for field installation. See furnace or air handler specifications to determine if relay is needed.

Also see Expansion Valve Kit Usage Table.

AHRI SYSTEM MATCHES - SOUTHWEST REGION - 036

NOTE - For the latest up-to-date system matches please visit the AHRI web site at <http://www.ahridirectory.org>

Model No.	Expansion Device	Capacity	SEER	EER	Coil or Air Handler	Furnace	AHRI Reference
XC14-036-230A	TXV	33,800	15.50	12.50	CH23-41	EL180UH090E48B	7515146
XC14-036-230A	TXV	33,800	15.50	12.50	CH23-41	EL180UH090XE48B	7515147
XC14-036-230A	TXV	33,600	15.10	12.50	CH23-41	EL195UH045XE36B	7515148
XC14-036-230A	TXV	33,800	15.10	12.50	CH23-41	EL195UH070XE36B	7515138
XC14-036-230A	TXV	33,600	15.10	12.50	CH23-41	EL296UH045XE36B	7515137
XC14-036-230A	TXV	33,800	15.10	12.50	CH23-41	EL296UH045XV36B	7515140
XC14-036-230A	TXV	33,800	15.10	12.50	CH23-41	EL296UH070XE36B	7515139
XC14-036-230A	TXV	33,800	15.10	12.50	CH23-41	EL296UH070XV36B	7515141
XC14-036-230A	TXV	34,000	16.00	13.00	CH23-41	SL280UH090V48B	7515152
XC14-036-230A	TXV	34,000	16.00	13.00	CH23-41	SL280UH090XV48B	7515153
XC14-036-230A	TXV	33,800	15.10	12.50	CH23-41	SLP98UH070XV36B	7515142
XC14-036-230A	TXV	33,600	15.00	12.50	CH23-51	EL180UH045E36A	7515134
XC14-036-230A	TXV	33,600	15.00	12.50	CH23-51	EL180UH045XE36A	7515135
XC14-036-230A	TXV	33,800	15.50	12.50	CH23-51	EL180UH070E36B	7515136
XC14-036-230A	TXV	33,800	15.50	12.50	CH23-51	EL180UH070XE36B	7515125
XC14-036-230A	TXV	33,800	15.50	12.50	CH23-51	EL180UH090E48B	7515126
XC14-036-230A	TXV	34,000	15.50	12.50	CH23-51	EL180UH090E60C	7515113
XC14-036-230A	TXV	33,800	15.50	12.50	CH23-51	EL180UH090XE48B	7515127
XC14-036-230A	TXV	34,000	15.50	12.50	CH23-51	EL180UH110E60C	7515114
XC14-036-230A	TXV	34,000	15.50	12.50	CH23-51	EL180UH110XE60C	7515115
XC14-036-230A	TXV	33,600	15.10	12.50	CH23-51	EL195UH045XE36B	7515128
XC14-036-230A	TXV	33,800	15.10	12.50	CH23-51	EL195UH070XE36B	7515130
XC14-036-230A	TXV	33,600	15.10	12.50	CH23-51	EL195UH090XE48C	7515116
XC14-036-230A	TXV	34,000	15.50	12.50	CH23-51	EL195UH110XE60C	7515118
XC14-036-230A	TXV	33,600	15.10	12.50	CH23-51	EL296UH045XE36B	7515129
XC14-036-230A	TXV	34,000	15.10	12.50	CH23-51	EL296UH045XV36B	7515120
XC14-036-230A	TXV	33,800	15.10	12.50	CH23-51	EL296UH070XE36B	7515119
XC14-036-230A	TXV	34,000	15.10	12.50	CH23-51	EL296UH070XV36B	7515121
XC14-036-230A	TXV	33,600	15.10	12.50	CH23-51	EL296UH090XE48C	7515117
XC14-036-230A	TXV	34,000	15.50	12.50	CH23-51	EL296UH090XV36C	7515108
XC14-036-230A	TXV	33,800	15.50	12.50	CH23-51	EL296UH090XV48C	7515110
XC14-036-230A	TXV	34,000	15.50	12.50	CH23-51	EL296UH110XE60C	7515107
XC14-036-230A	TXV	34,000	15.50	12.50	CH23-51	EL296UH110XV48C	7515112
XC14-036-230A	TXV	34,200	15.50	12.50	CH23-51	EL296UH110XV60C	7515101
XC14-036-230A	TXV	34,000	16.00	13.00	CH23-51	SL280UH090V36B	7515131
XC14-036-230A	TXV	34,200	16.00	13.00	CH23-51	SL280UH090V48B	7515132
XC14-036-230A	TXV	34,400	15.50	12.50	CH23-51	SL280UH090V60C	7514638
XC14-036-230A	TXV	34,200	16.00	13.00	CH23-51	SL280UH090XV48B	7515133
XC14-036-230A	TXV	34,400	15.50	12.50	CH23-51	SL280UH090XV60C	7514627
XC14-036-230A	TXV	34,200	15.50	12.50	CH23-51	SL280UH110V60C	7515123
XC14-036-230A	TXV	34,200	15.50	12.50	CH23-51	SL280UH110XV60C	7515124
XC14-036-230A	TXV	34,000	15.10	12.50	CH23-51	SLP98UH070XV36B	7515122
XC14-036-230A	TXV	34,000	15.50	12.50	CH23-51	SLP98UH090XV36C	7515109
XC14-036-230A	TXV	33,800	15.50	12.50	CH23-51	SLP98UH090XV48C	7515111
XC14-036-230A	TXV	34,200	15.50	12.50	CH23-51	SLP98UH110XV60C	7515102
XC14-036-230A	TXV	34,000	15.00	12.50	CH33-31A	EL180UH045E36A	7515105
XC14-036-230A	TXV	34,000	15.00	12.50	CH33-31A	EL180UH045XE36A	7515106

NOTES:

TXV = Matched with Thermostatic Expansion Valve.

RFC = Matched with RFC metering device.

AHRI certified to AHRI Standard 210/240 (with 25 ft. of connecting refrigerant lines); 95°F outdoor air temperature, 80°F db / 67°F wb entering evaporator air. All ratings include the use of a blower time delay relay (TDR). All Lennox variable-speed furnaces and Air Handlers have time delay capabilities. Other Furnaces and Air Handlers may require an optional time delay relay (**58M81**) for field installation. See furnace or air handler specifications to determine if relay is needed.

Also see Expansion Valve Kit Usage Table.

AHRI SYSTEM MATCHES - SOUTHWEST REGION - 036

NOTE - For the latest up-to-date system matches please visit the AHRI web site at <http://www.ahridirectory.org>

Model No.	Expansion Device	Capacity	SEER	EER	Coil or Air Handler	Furnace	AHRI Reference
XC14-036-230A	TXV	34,200	15.10	12.50	CH33-31A	SL280UH070V36A	7515103
XC14-036-230A	TXV	34,200	15.10	12.50	CH33-31A	SL280UH070XV36A	7515104
XC14-036-230A	TXV	34,600	15.10	12.50	CH33-31B	EL180UH070E36B	7515098
XC14-036-230A	TXV	34,600	15.10	12.50	CH33-31B	EL180UH070XE36B	7515099
XC14-036-230A	TXV	34,600	15.50	12.50	CH33-31B	EL180UH090E48B	7515100
XC14-036-230A	TXV	34,600	15.50	12.50	CH33-31B	EL180UH090XE48B	7515089
XC14-036-230A	TXV	34,200	14.50	12.20	CH33-31B	EL195UH045XE36B	7515090
XC14-036-230A	TXV	34,400	15.00	12.50	CH33-31B	EL195UH070XE36B	7515092
XC14-036-230A	TXV	34,200	14.50	12.20	CH33-31B	EL296UH045XE36B	7515091
XC14-036-230A	TXV	34,600	15.10	12.50	CH33-31B	EL296UH045XV36B	7515094
XC14-036-230A	TXV	34,400	15.00	12.50	CH33-31B	EL296UH070XE36B	7515093
XC14-036-230A	TXV	34,600	15.10	12.50	CH33-31B	EL296UH070XV36B	7515083
XC14-036-230A	TXV	34,800	16.00	13.00	CH33-31B	SL280UH090V36B	7515095
XC14-036-230A	TXV	34,800	15.50	12.50	CH33-31B	SL280UH090V48B	7515096
XC14-036-230A	TXV	34,800	15.50	12.50	CH33-31B	SL280UH090XV48B	7515097
XC14-036-230A	TXV	34,600	15.10	12.50	CH33-31B	SLP98UH070XV36B	7515084
XC14-036-230A	TXV	34,200	14.50	12.20	CH33-31B		7514518
XC14-036-230A	TXV	33,000	14.50	12.20	CH33-36A	EL180UH045E36A	7515087
XC14-036-230A	TXV	33,000	14.50	12.20	CH33-36A	EL180UH045XE36A	7515088
XC14-036-230A	TXV	33,200	14.50	12.20	CH33-36A	SL280UH070V36A	7515085
XC14-036-230A	TXV	33,200	14.50	12.20	CH33-36A	SL280UH070XV36A	7515086
XC14-036-230A	TXV	33,400	15.50	12.50	CH33-36B	EL180UH070E36B	7515080
XC14-036-230A	TXV	33,400	15.50	12.50	CH33-36B	EL180UH070XE36B	7515081
XC14-036-230A	TXV	33,400	15.10	12.50	CH33-36B	EL180UH090E48B	7515082
XC14-036-230A	TXV	33,400	15.10	12.50	CH33-36B	EL180UH090XE48B	7515071
XC14-036-230A	TXV	33,000	15.00	12.50	CH33-36B	EL195UH045XE36B	7515072
XC14-036-230A	TXV	33,200	15.00	12.50	CH33-36B	EL195UH070XE36B	7515074
XC14-036-230A	TXV	33,000	15.00	12.50	CH33-36B	EL296UH045XE36B	7515073
XC14-036-230A	TXV	33,400	14.50	12.20	CH33-36B	EL296UH045XV36B	7514628
XC14-036-230A	TXV	33,200	15.00	12.50	CH33-36B	EL296UH070XE36B	7515075
XC14-036-230A	TXV	33,400	15.00	12.50	CH33-36B	EL296UH070XV36B	7515076
XC14-036-230A	TXV	33,400	15.50	12.50	CH33-36B	SL280UH090V36B	7515077
XC14-036-230A	TXV	33,600	15.50	12.50	CH33-36B	SL280UH090V48B	7515078
XC14-036-230A	TXV	33,600	15.50	12.50	CH33-36B	SL280UH090XV48B	7515079
XC14-036-230A	TXV	33,400	15.00	12.50	CH33-36B	SLP98UH070XV36B	7515065
XC14-036-230A	TXV	33,800	15.50	12.50	CH33-36C	EL180UH090E60C	7515068
XC14-036-230A	TXV	33,800	15.50	12.50	CH33-36C	EL180UH110E60C	7515069
XC14-036-230A	TXV	33,800	15.50	12.50	CH33-36C	EL180UH110XE60C	7515070
XC14-036-230A	TXV	33,600	15.10	12.50	CH33-36C	EL195UH090XE48C	7515059
XC14-036-230A	TXV	34,000	15.50	12.50	CH33-36C	EL195UH110XE60C	7515061
XC14-036-230A	TXV	33,600	15.10	12.50	CH33-36C	EL296UH090XE48C	7515060
XC14-036-230A	TXV	34,000	15.50	12.50	CH33-36C	EL296UH090XV36C	7515063
XC14-036-230A	TXV	33,800	15.50	12.50	CH33-36C	EL296UH090XV48C	7515053
XC14-036-230A	TXV	34,000	15.50	12.50	CH33-36C	EL296UH110XE60C	7515062
XC14-036-230A	TXV	34,000	15.50	12.50	CH33-36C	EL296UH110XV48C	7515055
XC14-036-230A	TXV	34,200	15.50	12.50	CH33-36C	EL296UH110XV60C	7515056
XC14-036-230A	TXV	34,400	15.50	12.50	CH33-36C	SL280UH090V60C	7514629

NOTES:

TXV = Matched with Thermostatic Expansion Valve.

RFC = Matched with RFC metering device.

AHRI certified to AHRI Standard 210/240 (with 25 ft. of connecting refrigerant lines); 95°F outdoor air temperature, 80°F db / 67°F wb entering evaporator air.

All ratings include the use of a blower time delay relay (TDR). All Lennox variable-speed furnaces and Air Handlers have time delay capabilities. Other Furnaces and Air Handlers may require an optional time delay relay (**58M81**) for field installation. See furnace or air handler specifications to determine if relay is needed.

Also see Expansion Valve Kit Usage Table.

AHRI SYSTEM MATCHES - SOUTHWEST REGION - 036

NOTE - For the latest up-to-date system matches please visit the AHRI web site at <http://www.ahridirectory.org>

Model No.	Expansion Device	Capacity	SEER	EER	Coil or Air Handler	Furnace	AHRI Reference
XC14-036-230A	TXV	34,400	15.50	12.50	CH33-36C	SL280UH090XV60C	7514630
XC14-036-230A	TXV	34,200	15.50	12.50	CH33-36C	SL280UH110V60C	7515066
XC14-036-230A	TXV	34,200	15.50	12.50	CH33-36C	SL280UH110XV60C	7515067
XC14-036-230A	TXV	34,000	15.50	12.50	CH33-36C	SLP98UH090XV36C	7515064
XC14-036-230A	TXV	33,800	15.50	12.50	CH33-36C	SLP98UH090XV48C	7515054
XC14-036-230A	TXV	34,200	15.50	12.50	CH33-36C	SLP98UH110XV60C	7515057
XC14-036-230A	TXV	34,200	15.00	12.50	CH33-42B	EL180UH070E36B	7514622
XC14-036-230A	TXV	34,200	15.00	12.50	CH33-42B	EL180UH070XE36B	7514623
XC14-036-230A	TXV	34,200	15.50	12.50	CH33-42B	EL180UH090E48B	7514624
XC14-036-230A	TXV	34,200	15.50	12.50	CH33-42B	EL180UH090XE48B	7514625
XC14-036-230A	TXV	34,000	14.50	12.20	CH33-42B	EL195UH045XE36B	7514626
XC14-036-230A	TXV	34,000	15.10	12.50	CH33-42B	EL195UH070XE36B	7514616
XC14-036-230A	TXV	34,000	14.50	12.20	CH33-42B	EL296UH045XE36B	7514615
XC14-036-230A	TXV	34,200	15.00	12.50	CH33-42B	EL296UH045XV36B	7514618
XC14-036-230A	TXV	34,000	15.10	12.50	CH33-42B	EL296UH070XE36B	7514617
XC14-036-230A	TXV	34,200	15.10	12.50	CH33-42B	EL296UH070XV36B	7514619
XC14-036-230A	TXV	34,400	15.50	12.50	CH33-42B	SL280UH090V36B	7514631
XC14-036-230A	TXV	34,400	15.50	12.50	CH33-42B	SL280UH090V48B	7514632
XC14-036-230A	TXV	34,400	15.50	12.50	CH33-42B	SL280UH090XV48B	7514621
XC14-036-230A	TXV	34,200	15.10	12.50	CH33-42B	SLP98UH070XV36B	7514620
XC14-036-230A	TXV	35,000	16.00	13.00	CH33-43B	EL180UH070E36B	7515049
XC14-036-230A	TXV	35,000	16.00	13.00	CH33-43B	EL180UH070XE36B	7515050
XC14-036-230A	TXV	35,400	16.00	13.00	CH33-43B	EL180UH090E48B	7515051
XC14-036-230A	TXV	35,400	16.00	13.00	CH33-43B	EL180UH090XE48B	7515052
XC14-036-230A	TXV	35,000	15.10	12.50	CH33-43B	EL195UH045XE36B	7515041
XC14-036-230A	TXV	35,000	15.10	12.50	CH33-43B	EL195UH070XE36B	7515043
XC14-036-230A	TXV	35,000	15.10	12.50	CH33-43B	EL296UH045XE36B	7515042
XC14-036-230A	TXV	35,400	15.50	12.50	CH33-43B	EL296UH045XV36B	7515045
XC14-036-230A	TXV	35,000	15.10	12.50	CH33-43B	EL296UH070XE36B	7515044
XC14-036-230A	TXV	35,400	15.50	12.50	CH33-43B	EL296UH070XV36B	7515046
XC14-036-230A	TXV	35,400	16.00	13.00	CH33-43B	SL280UH090V36B	7515058
XC14-036-230A	TXV	35,400	16.00	13.00	CH33-43B	SL280UH090V48B	7515047
XC14-036-230A	TXV	35,400	16.00	13.00	CH33-43B	SL280UH090XV48B	7515048
XC14-036-230A	TXV	35,400	15.50	12.50	CH33-43B	SLP98UH070XV36B	7515035
XC14-036-230A	TXV	35,000	14.50	12.20	CH33-43B		7514510
XC14-036-230A	TXV	35,000	16.00	13.00	CH33-43C	EL180UH090E60C	7515040
XC14-036-230A	TXV	35,000	16.00	13.00	CH33-43C	EL180UH110E60C	7515029
XC14-036-230A	TXV	35,000	16.00	13.00	CH33-43C	EL180UH110XE60C	7515030
XC14-036-230A	TXV	34,800	16.00	13.00	CH33-43C	EL195UH090XE48C	7515031
XC14-036-230A	TXV	35,000	16.00	13.00	CH33-43C	EL195UH110XE60C	7515033
XC14-036-230A	TXV	34,800	16.00	13.00	CH33-43C	EL296UH090XE48C	7515032
XC14-036-230A	TXV	35,000	16.00	13.00	CH33-43C	EL296UH090XV36C	7515023
XC14-036-230A	TXV	35,000	16.00	13.00	CH33-43C	EL296UH090XV48C	7515025
XC14-036-230A	TXV	35,000	16.00	13.00	CH33-43C	EL296UH110XE60C	7515034
XC14-036-230A	TXV	35,200	16.00	13.00	CH33-43C	EL296UH110XV48C	7515027
XC14-036-230A	TXV	35,400	16.00	13.00	CH33-43C	EL296UH110XV60C	7515028
XC14-036-230A	TXV	35,600	16.00	13.00	CH33-43C	SL280UH090V60C	7515036
XC14-036-230A	TXV	35,600	16.00	13.00	CH33-43C	SL280UH090XV60C	7515037
XC14-036-230A	TXV	35,400	16.00	13.00	CH33-43C	SL280UH110V60C	7515038

NOTES:

TXV = Matched with Thermostatic Expansion Valve.

RFC = Matched with RFC metering device.

AHRI certified to AHRI Standard 210/240 (with 25 ft. of connecting refrigerant lines); 95°F outdoor air temperature, 80°F db / 67°F wb entering evaporator air.

All ratings include the use of a blower time delay relay (TDR). All Lennox variable-speed furnaces and Air Handlers have time delay capabilities. Other Furnaces and Air Handlers may require an optional time delay relay (**58M81**) for field installation. See furnace or air handler specifications to determine if relay is needed.

Also see Expansion Valve Kit Usage Table.

AHRI SYSTEM MATCHES - SOUTHWEST REGION - 036

NOTE - For the latest up-to-date system matches please visit the AHRI web site at <http://www.ahridirectory.org>

Model No.	Expansion Device	Capacity	SEER	EER	Coil or Air Handler	Furnace	AHRI Reference
XC14-036-230A	TXV	35,400	16.00	13.00	CH33-43C	SL280UH110XV60C	7515039
XC14-036-230A	TXV	35,000	16.00	13.00	CH33-43C	SLP98UH090XV36C	7515024
XC14-036-230A	TXV	35,000	16.00	13.00	CH33-43C	SLP98UH090XV48C	7515026
XC14-036-230A	TXV	35,400	16.00	13.00	CH33-43C	SLP98UH110XV60C	7515017
XC14-036-230A	TXV	34,600	15.10	12.50	CH33-44/48B	EL180UH070E36B	7515021
XC14-036-230A	TXV	34,600	15.10	12.50	CH33-44/48B	EL180UH070XE36B	7515022
XC14-036-230A	TXV	34,600	15.50	12.50	CH33-44/48B	EL180UH090E48B	7515011
XC14-036-230A	TXV	34,600	15.50	12.50	CH33-44/48B	EL180UH090XE48B	7515012
XC14-036-230A	TXV	34,400	14.50	12.20	CH33-44/48B	EL195UH045XE36B	7515013
XC14-036-230A	TXV	34,400	15.00	12.50	CH33-44/48B	EL195UH070XE36B	7515015
XC14-036-230A	TXV	34,400	14.50	12.20	CH33-44/48B	EL296UH045XE36B	7515014
XC14-036-230A	TXV	34,600	15.10	12.50	CH33-44/48B	EL296UH045XV36B	7515005
XC14-036-230A	TXV	34,400	15.00	12.50	CH33-44/48B	EL296UH070XE36B	7515016
XC14-036-230A	TXV	34,600	15.10	12.50	CH33-44/48B	EL296UH070XV36B	7515006
XC14-036-230A	TXV	34,800	16.00	13.00	CH33-44/48B	SL280UH090V36B	7515018
XC14-036-230A	TXV	34,800	15.50	12.50	CH33-44/48B	SL280UH090V48B	7515019
XC14-036-230A	TXV	34,800	15.50	12.50	CH33-44/48B	SL280UH090XV48B	7515020
XC14-036-230A	TXV	34,600	15.10	12.50	CH33-44/48B	SLP98UH070XV36B	7515007
XC14-036-230A	TXV	34,200	14.50	12.20	CH33-44/48B		7514512
XC14-036-230A	TXV	34,800	16.00	13.00	CH33-48C	EL180UH090E60C	7515000
XC14-036-230A	TXV	34,800	16.00	13.00	CH33-48C	EL180UH110E60C	7515001
XC14-036-230A	TXV	34,800	16.00	13.00	CH33-48C	EL180UH110XE60C	7515002
XC14-036-230A	TXV	34,600	15.50	12.50	CH33-48C	EL195UH090XE48C	7515003
XC14-036-230A	TXV	35,000	16.00	13.00	CH33-48C	EL195UH110XE60C	7514993
XC14-036-230A	TXV	34,600	15.50	12.50	CH33-48C	EL296UH090XE48C	7515004
XC14-036-230A	TXV	35,000	16.00	13.00	CH33-48C	EL296UH090XV36C	7514995
XC14-036-230A	TXV	34,800	16.00	13.00	CH33-48C	EL296UH090XV48C	7514997
XC14-036-230A	TXV	35,000	16.00	13.00	CH33-48C	EL296UH110XE60C	7514994
XC14-036-230A	TXV	35,000	16.00	13.00	CH33-48C	EL296UH110XV48C	7514987
XC14-036-230A	TXV	35,200	16.00	13.00	CH33-48C	EL296UH110XV60C	7514988
XC14-036-230A	TXV	35,400	16.00	13.00	CH33-48C	SL280UH090V60C	7515008
XC14-036-230A	TXV	35,400	16.00	13.00	CH33-48C	SL280UH090XV60C	7515009
XC14-036-230A	TXV	35,200	16.00	13.00	CH33-48C	SL280UH110V60C	7515010
XC14-036-230A	TXV	35,200	16.00	13.00	CH33-48C	SL280UH110XV60C	7514999
XC14-036-230A	TXV	35,000	16.00	13.00	CH33-48C	SLP98UH090XV36C	7514996
XC14-036-230A	TXV	34,800	16.00	13.00	CH33-48C	SLP98UH090XV48C	7514998
XC14-036-230A	TXV	35,200	16.00	13.00	CH33-48C	SLP98UH110XV60C	7514989
XC14-036-230A	TXV	34,400	14.50	12.20	CH33-48C		7514513
XC14-036-230A	TXV	35,400	16.00	13.00	CH33-49	EL180UH090E60C	7514613
XC14-036-230A	TXV	35,400	16.00	13.00	CH33-49	EL180UH110E60C	7514614
XC14-036-230A	TXV	35,400	16.00	13.00	CH33-49	EL180UH110XE60C	7514603
XC14-036-230A	TXV	35,000	16.00	13.00	CH33-49	EL195UH090XE48C	7514604
XC14-036-230A	TXV	35,400	16.00	13.00	CH33-49	EL195UH110XE60C	7514606
XC14-036-230A	TXV	35,000	16.00	13.00	CH33-49	EL296UH090XE48C	7514605
XC14-036-230A	TXV	35,400	16.00	13.00	CH33-49	EL296UH090XV36C	7514608
XC14-036-230A	TXV	35,200	16.00	13.00	CH33-49	EL296UH090XV48C	7514598
XC14-036-230A	TXV	35,400	16.00	13.00	CH33-49	EL296UH110XE60C	7514607
XC14-036-230A	TXV	35,400	16.00	13.00	CH33-49	EL296UH110XV48C	7514600
XC14-036-230A	TXV	35,800	16.00	13.00	CH33-49	EL296UH110XV60C	7514601

NOTES:

TXV = Matched with Thermostatic Expansion Valve.

RFC = Matched with RFC metering device.

AHRI certified to AHRI Standard 210/240 (with 25 ft. of connecting refrigerant lines); 95°F outdoor air temperature, 80°F db / 67°F wb entering evaporator air.

All ratings include the use of a blower time delay relay (TDR). All Lennox variable-speed furnaces and Air Handlers have time delay capabilities. Other Furnaces and Air Handlers may require an optional time delay relay (**58M81**) for field installation. See furnace or air handler specifications to determine if relay is needed.

Also see Expansion Valve Kit Usage Table.

AHRI SYSTEM MATCHES - SOUTHWEST REGION - 036

NOTE - For the latest up-to-date system matches please visit the AHRI web site at <http://www.ahridirectory.org>

Model No.	Expansion Device	Capacity	SEER	EER	Coil or Air Handler	Furnace	AHRI Reference
XC14-036-230A	TXV	35,800	16.00	13.00	CH33-49	SL280UH090V60C	7514609
XC14-036-230A	TXV	35,800	16.00	13.00	CH33-49	SL280UH090XV60C	7514610
XC14-036-230A	TXV	35,600	16.00	13.00	CH33-49	SL280UH110V60C	7514611
XC14-036-230A	TXV	35,600	16.00	13.00	CH33-49	SL280UH110XV60C	7514612
XC14-036-230A	TXV	35,400	16.00	13.00	CH33-49	SLP98UH090XV36C	7514597
XC14-036-230A	TXV	35,200	16.00	13.00	CH33-49	SLP98UH090XV48C	7514599
XC14-036-230A	TXV	35,800	16.00	13.00	CH33-49	SLP98UH110XV60C	7514602
XC14-036-230A	TXV	34,800	14.50	12.20	CH33-49		7514484
XC14-036-230A	TXV	35,200	16.00	13.00	CH33-50/60C	EL180UH090E60C	7514982
XC14-036-230A	TXV	35,200	16.00	13.00	CH33-50/60C	EL180UH110E60C	7514983
XC14-036-230A	TXV	35,200	16.00	13.00	CH33-50/60C	EL180UH110XE60C	7514984
XC14-036-230A	TXV	35,000	16.00	13.00	CH33-50/60C	EL195UH090XE48C	7514985
XC14-036-230A	TXV	35,200	16.00	13.00	CH33-50/60C	EL195UH110XE60C	7514975
XC14-036-230A	TXV	35,000	16.00	13.00	CH33-50/60C	EL296UH090XE48C	7514986
XC14-036-230A	TXV	35,200	16.00	13.00	CH33-50/60C	EL296UH090XV36C	7514977
XC14-036-230A	TXV	35,000	16.00	13.00	CH33-50/60C	EL296UH090XV48C	7514979
XC14-036-230A	TXV	35,200	16.00	13.00	CH33-50/60C	EL296UH110XE60C	7514976
XC14-036-230A	TXV	35,200	16.00	13.00	CH33-50/60C	EL296UH110XV48C	7514969
XC14-036-230A	TXV	35,600	16.00	13.00	CH33-50/60C	EL296UH110XV60C	7514970
XC14-036-230A	TXV	35,600	16.00	13.00	CH33-50/60C	SL280UH090V60C	7514990
XC14-036-230A	TXV	35,600	16.00	13.00	CH33-50/60C	SL280UH090XV60C	7514991
XC14-036-230A	TXV	35,600	16.00	13.00	CH33-50/60C	SL280UH110V60C	7514992
XC14-036-230A	TXV	35,600	16.00	13.00	CH33-50/60C	SL280UH110XV60C	7514981
XC14-036-230A	TXV	35,200	16.00	13.00	CH33-50/60C	SLP98UH090XV36C	7514978
XC14-036-230A	TXV	35,000	16.00	13.00	CH33-50/60C	SLP98UH090XV48C	7514980
XC14-036-230A	TXV	35,600	16.00	13.00	CH33-50/60C	SLP98UH110XV60C	7514971
XC14-036-230A	TXV	34,600	14.50	12.20	CH33-50/60C		7514503
XC14-036-230A	TXV	34,000	15.00	12.50	CH35-30A	EL180UH045E36A	7514974
XC14-036-230A	TXV	34,000	15.00	12.50	CH35-30A	EL180UH045XE36A	7514963
XC14-036-230A	TXV	34,200	15.10	12.50	CH35-30A	SL280UH070V36A	7514972
XC14-036-230A	TXV	34,200	15.10	12.50	CH35-30A	SL280UH070XV36A	7514973
XC14-036-230A	TXV	34,800	15.10	12.50	CH35-30B	EL180UH070E36B	7514967
XC14-036-230A	TXV	34,800	15.10	12.50	CH35-30B	EL180UH070XE36B	7514968
XC14-036-230A	TXV	34,800	16.00	13.00	CH35-30B	EL180UH090E48B	7514957
XC14-036-230A	TXV	34,800	16.00	13.00	CH35-30B	EL180UH090XE48B	7514958
XC14-036-230A	TXV	34,400	14.50	12.20	CH35-30B	EL195UH045XE36B	7514959
XC14-036-230A	TXV	34,400	15.00	12.50	CH35-30B	EL195UH070XE36B	7514961
XC14-036-230A	TXV	34,400	14.50	12.20	CH35-30B	EL296UH045XE36B	7514960
XC14-036-230A	TXV	34,600	15.10	12.50	CH35-30B	EL296UH045XV36B	7514951
XC14-036-230A	TXV	34,400	15.00	12.50	CH35-30B	EL296UH070XE36B	7514962
XC14-036-230A	TXV	34,600	15.10	12.50	CH35-30B	EL296UH070XV36B	7514952
XC14-036-230A	TXV	34,800	16.00	13.00	CH35-30B	SL280UH090V36B	7514964
XC14-036-230A	TXV	34,800	15.50	12.50	CH35-30B	SL280UH090V48B	7514965
XC14-036-230A	TXV	34,800	15.50	12.50	CH35-30B	SL280UH090XV48B	7514966
XC14-036-230A	TXV	34,600	15.10	12.50	CH35-30B	SLP98UH070XV36B	7514953
XC14-036-230A	TXV	34,200	14.50	12.20	CH35-30B		7514504
XC14-036-230A	TXV	33,000	14.50	12.20	CH35-36A	EL180UH045E36A	7514956
XC14-036-230A	TXV	33,000	14.50	12.20	CH35-36A	EL180UH045XE36A	7514945
XC14-036-230A	TXV	33,200	14.50	12.20	CH35-36A	SL280UH070V36A	7514954

NOTES:

TXV = Matched with Thermostatic Expansion Valve.

RFC = Matched with RFC metering device.

AHRI certified to AHRI Standard 210/240 (with 25 ft. of connecting refrigerant lines); 95°F outdoor air temperature, 80°F db / 67°F wb entering evaporator air.

All ratings include the use of a blower time delay relay (TDR). All Lennox variable-speed furnaces and Air Handlers have time delay capabilities. Other Furnaces and Air Handlers may require an optional time delay relay (**58M81**) for field installation. See furnace or air handler specifications to determine if relay is needed.

Also see Expansion Valve Kit Usage Table.

AHRI SYSTEM MATCHES - SOUTHWEST REGION - 036

NOTE - For the latest up-to-date system matches please visit the AHRI web site at <http://www.ahridirectory.org>

Model No.	Expansion Device	Capacity	SEER	EER	Coil or Air Handler	Furnace	AHRI Reference
XC14-036-230A	TXV	33,200	14.50	12.20	CH35-36A	SL280UH070XV36A	7514955
XC14-036-230A	TXV	33,400	15.50	12.50	CH35-36B	EL180UH070E36B	7514949
XC14-036-230A	TXV	33,400	15.50	12.50	CH35-36B	EL180UH070XE36B	7514950
XC14-036-230A	TXV	33,400	15.10	12.50	CH35-36B	EL180UH090E48B	7514939
XC14-036-230A	TXV	33,400	15.10	12.50	CH35-36B	EL180UH090XE48B	7514940
XC14-036-230A	TXV	33,000	15.00	12.50	CH35-36B	EL195UH045XE36B	7514941
XC14-036-230A	TXV	33,000	15.00	12.50	CH35-36B	EL296UH045XE36B	7514942
XC14-036-230A	TXV	33,600	15.00	12.20	CH35-36B	EL296UH045XV36B	7514933
XC14-036-230A	TXV	33,400	15.00	12.50	CH35-36B	EL296UH070XV36B	7514934
XC14-036-230A	TXV	33,600	15.50	12.50	CH35-36B	SL280UH090V36B	7514946
XC14-036-230A	TXV	33,800	15.50	12.50	CH35-36B	SL280UH090V48B	7514947
XC14-036-230A	TXV	33,800	15.50	12.50	CH35-36B	SL280UH090XV48B	7514948
XC14-036-230A	TXV	33,400	15.00	12.50	CH35-36B	SLP98UH070XV36B	7514935
XC14-036-230A	TXV	34,000	15.50	12.50	CH35-36C	EL180UH090E60C	7514938
XC14-036-230A	TXV	33,800	15.50	12.50	CH35-36C	EL180UH110E60C	7514927
XC14-036-230A	TXV	33,800	15.50	12.50	CH35-36C	EL180UH110XE60C	7514928
XC14-036-230A	TXV	33,600	15.10	12.50	CH35-36C	EL195UH090XE48C	7514929
XC14-036-230A	TXV	34,000	15.50	12.50	CH35-36C	EL195UH110XE60C	7514931
XC14-036-230A	TXV	33,600	15.10	12.50	CH35-36C	EL296UH090XE48C	7514930
XC14-036-230A	TXV	34,000	15.50	12.50	CH35-36C	EL296UH090XV36C	7514921
XC14-036-230A	TXV	33,800	15.50	12.50	CH35-36C	EL296UH090XV48C	7514923
XC14-036-230A	TXV	34,000	15.50	12.50	CH35-36C	EL296UH110XE60C	7514932
XC14-036-230A	TXV	34,000	15.50	12.50	CH35-36C	EL296UH110XV48C	7514925
XC14-036-230A	TXV	34,400	15.50	12.50	CH35-36C	EL296UH110XV60C	7514593
XC14-036-230A	TXV	34,400	15.50	12.50	CH35-36C	SL280UH090V60C	7514591
XC14-036-230A	TXV	34,400	15.50	12.50	CH35-36C	SL280UH090XV60C	7514592
XC14-036-230A	TXV	34,200	15.50	12.50	CH35-36C	SL280UH110V60C	7514936
XC14-036-230A	TXV	34,200	15.50	12.50	CH35-36C	SL280UH110XV60C	7514937
XC14-036-230A	TXV	34,000	15.50	12.50	CH35-36C	SLP98UH090XV36C	7514922
XC14-036-230A	TXV	33,800	15.50	12.50	CH35-36C	SLP98UH090XV48C	7514924
XC14-036-230A	TXV	34,400	15.50	12.50	CH35-36C	SLP98UH110XV60C	7514926
XC14-036-230A	TXV	35,000	16.00	13.00	CH35-42B	EL180UH070E36B	7514918
XC14-036-230A	TXV	35,000	16.00	13.00	CH35-42B	EL180UH070XE36B	7514919
XC14-036-230A	TXV	35,400	16.00	13.00	CH35-42B	EL180UH090E48B	7514920
XC14-036-230A	TXV	35,400	16.00	13.00	CH35-42B	EL180UH090XE48B	7514909
XC14-036-230A	TXV	35,000	15.10	12.50	CH35-42B	EL195UH045XE36B	7514910
XC14-036-230A	TXV	35,200	15.10	12.50	CH35-42B	EL195UH070XE36B	7514912
XC14-036-230A	TXV	35,000	15.10	12.50	CH35-42B	EL296UH045XE36B	7514911
XC14-036-230A	TXV	35,400	15.50	12.50	CH35-42B	EL296UH045XV36B	7514914
XC14-036-230A	TXV	35,200	15.10	12.50	CH35-42B	EL296UH070XE36B	7514913
XC14-036-230A	TXV	35,400	15.50	12.50	CH35-42B	EL296UH070XV36B	7514903
XC14-036-230A	TXV	35,400	16.00	13.00	CH35-42B	SL280UH090V36B	7514915
XC14-036-230A	TXV	35,600	16.00	13.00	CH35-42B	SL280UH090V48B	7514916
XC14-036-230A	TXV	35,600	16.00	13.00	CH35-42B	SL280UH090XV48B	7514917
XC14-036-230A	TXV	35,400	15.50	12.50	CH35-42B	SLP98UH070XV36B	7514904
XC14-036-230A	TXV	35,000	14.50	12.20	CH35-42B		7514507
XC14-036-230A	TXV	35,200	16.00	13.00	CH35-42C	EL180UH090E60C	7514897
XC14-036-230A	TXV	35,000	16.00	13.00	CH35-42C	EL180UH110E60C	7514898
XC14-036-230A	TXV	35,000	16.00	13.00	CH35-42C	EL180UH110XE60C	7514899

NOTES:

TXV = Matched with Thermostatic Expansion Valve.

RFC = Matched with RFC metering device.

AHRI certified to AHRI Standard 210/240 (with 25 ft. of connecting refrigerant lines); 95°F outdoor air temperature, 80°F db / 67°F wb entering evaporator air.

All ratings include the use of a blower time delay relay (TDR). All Lennox variable-speed furnaces and Air Handlers have time delay capabilities. Other Furnaces and Air Handlers may require an optional time delay relay (**58M81**) for field installation. See furnace or air handler specifications to determine if relay is needed.

Also see Expansion Valve Kit Usage Table.

AHRI SYSTEM MATCHES - SOUTHWEST REGION - 036

NOTE - For the latest up-to-date system matches please visit the AHRI web site at <http://www.ahridirectory.org>

Model No.	Expansion Device	Capacity	SEER	EER	Coil or Air Handler	Furnace	AHRI Reference
XC14-036-230A	TXV	34,800	16.00	13.00	CH35-42C	EL195UH090XE48C	7514900
XC14-036-230A	TXV	35,200	16.00	13.00	CH35-42C	EL195UH110XE60C	7514902
XC14-036-230A	TXV	34,800	16.00	13.00	CH35-42C	EL296UH090XE48C	7514901
XC14-036-230A	TXV	35,200	16.00	13.00	CH35-42C	EL296UH090XV36C	7514892
XC14-036-230A	TXV	35,000	16.00	13.00	CH35-42C	EL296UH090XV48C	7514894
XC14-036-230A	TXV	35,200	16.00	13.00	CH35-42C	EL296UH110XE60C	7514891
XC14-036-230A	TXV	35,200	16.00	13.00	CH35-42C	EL296UH110XV48C	7514896
XC14-036-230A	TXV	35,400	16.00	13.00	CH35-42C	EL296UH110XV60C	7514885
XC14-036-230A	TXV	35,600	16.00	13.00	CH35-42C	SL280UH090V60C	7514905
XC14-036-230A	TXV	35,600	16.00	13.00	CH35-42C	SL280UH090XV60C	7514906
XC14-036-230A	TXV	35,400	16.00	13.00	CH35-42C	SL280UH110V60C	7514907
XC14-036-230A	TXV	35,400	16.00	13.00	CH35-42C	SL280UH110XV60C	7514908
XC14-036-230A	TXV	35,200	16.00	13.00	CH35-42C	SLP98UH090XV36C	7514893
XC14-036-230A	TXV	35,000	16.00	13.00	CH35-42C	SLP98UH090XV48C	7514895
XC14-036-230A	TXV	35,400	16.00	13.00	CH35-42C	SLP98UH110XV60C	7514886
XC14-036-230A	TXV	34,600	14.50	12.20	CH35-42C		7514508
XC14-036-230A	TXV	34,800	15.10	12.50	CH35-48B	EL180UH070E36B	7514890
XC14-036-230A	TXV	34,800	15.10	12.50	CH35-48B	EL180UH070XE36B	7514879
XC14-036-230A	TXV	34,800	16.00	13.00	CH35-48B	EL180UH090E48B	7514880
XC14-036-230A	TXV	34,800	16.00	13.00	CH35-48B	EL180UH090XE48B	7514881
XC14-036-230A	TXV	34,400	15.00	12.20	CH35-48B	EL195UH045XE36B	7514882
XC14-036-230A	TXV	34,600	15.00	12.50	CH35-48B	EL195UH070XE36B	7514884
XC14-036-230A	TXV	34,400	15.00	12.20	CH35-48B	EL296UH045XE36B	7514883
XC14-036-230A	TXV	35,000	15.10	12.50	CH35-48B	EL296UH045XV36B	7514874
XC14-036-230A	TXV	34,600	15.00	12.50	CH35-48B	EL296UH070XE36B	7514873
XC14-036-230A	TXV	34,800	15.50	12.50	CH35-48B	EL296UH070XV36B	7514875
XC14-036-230A	TXV	35,000	16.00	13.00	CH35-48B	SL280UH090V36B	7514887
XC14-036-230A	TXV	35,000	16.00	13.00	CH35-48B	SL280UH090V48B	7514888
XC14-036-230A	TXV	35,000	16.00	13.00	CH35-48B	SL280UH090XV48B	7514889
XC14-036-230A	TXV	34,800	15.50	12.50	CH35-48B	SLP98UH070XV36B	7514876
XC14-036-230A	TXV	34,400	14.50	12.20	CH35-48B		7514497
XC14-036-230A	TXV	35,000	16.00	13.00	CH35-48C	EL180UH090E60C	7514869
XC14-036-230A	TXV	35,000	16.00	13.00	CH35-48C	EL180UH110E60C	7514870
XC14-036-230A	TXV	35,000	16.00	13.00	CH35-48C	EL180UH110XE60C	7514871
XC14-036-230A	TXV	34,800	16.00	13.00	CH35-48C	EL195UH090XE48C	7514872
XC14-036-230A	TXV	35,000	16.00	13.00	CH35-48C	EL195UH110XE60C	7514862
XC14-036-230A	TXV	34,800	16.00	13.00	CH35-48C	EL296UH090XE48C	7514861
XC14-036-230A	TXV	35,000	16.00	13.00	CH35-48C	EL296UH090XV36C	7514864
XC14-036-230A	TXV	34,800	16.00	13.00	CH35-48C	EL296UH090XV48C	7514866
XC14-036-230A	TXV	35,000	16.00	13.00	CH35-48C	EL296UH110XE60C	7514863
XC14-036-230A	TXV	35,000	16.00	13.00	CH35-48C	EL296UH110XV48C	7514856
XC14-036-230A	TXV	35,400	16.00	13.00	CH35-48C	EL296UH110XV60C	7514857
XC14-036-230A	TXV	35,400	16.00	13.00	CH35-48C	SL280UH090V60C	7514877
XC14-036-230A	TXV	35,400	16.00	13.00	CH35-48C	SL280UH090XV60C	7514878
XC14-036-230A	TXV	35,400	16.00	13.00	CH35-48C	SL280UH110V60C	7514867
XC14-036-230A	TXV	35,400	16.00	13.00	CH35-48C	SL280UH110XV60C	7514868
XC14-036-230A	TXV	35,000	16.00	13.00	CH35-48C	SLP98UH090XV36C	7514865
XC14-036-230A	TXV	34,800	16.00	13.00	CH35-48C	SLP98UH090XV48C	7514855
XC14-036-230A	TXV	35,400	16.00	13.00	CH35-48C	SLP98UH110XV60C	7514858

NOTES:

TXV = Matched with Thermostatic Expansion Valve.

RFC = Matched with RFC metering device.

AHRI certified to AHRI Standard 210/240 (with 25 ft. of connecting refrigerant lines); 95°F outdoor air temperature, 80°F db / 67°F wb entering evaporator air.

All ratings include the use of a blower time delay relay (TDR). All Lennox variable-speed furnaces and Air Handlers have time delay capabilities. Other Furnaces and Air Handlers may require an optional time delay relay (**58M81**) for field installation. See furnace or air handler specifications to determine if relay is needed.

Also see Expansion Valve Kit Usage Table.

AHRI SYSTEM MATCHES - SOUTHWEST REGION - 036

NOTE - For the latest up-to-date system matches please visit the AHRI web site at <http://www.ahridirectory.org>

Model No.	Expansion Device	Capacity	SEER	EER	Coil or Air Handler	Furnace	AHRI Reference
XC14-036-230A	TXV	34,400	14.50	12.20	CH35-48C		7514498
XC14-036-230A	TXV	35,400	16.00	13.00	CH35-51C	EL180UH090E60C	7514851
XC14-036-230A	TXV	35,400	16.00	13.00	CH35-51C	EL180UH110E60C	7514852
XC14-036-230A	TXV	35,400	16.00	13.00	CH35-51C	EL180UH110XE60C	7514853
XC14-036-230A	TXV	35,200	16.00	13.00	CH35-51C	EL195UH090XE48C	7514854
XC14-036-230A	TXV	35,400	16.00	13.00	CH35-51C	EL195UH110XE60C	7514844
XC14-036-230A	TXV	35,200	16.00	13.00	CH35-51C	EL296UH090XE48C	7514843
XC14-036-230A	TXV	35,400	16.00	13.00	CH35-51C	EL296UH090XV36C	7514846
XC14-036-230A	TXV	35,200	16.00	13.00	CH35-51C	EL296UH090XV48C	7514848
XC14-036-230A	TXV	35,400	16.00	13.00	CH35-51C	EL296UH110XE60C	7514845
XC14-036-230A	TXV	35,400	16.00	13.00	CH35-51C	EL296UH110XV48C	7514838
XC14-036-230A	TXV	35,800	16.00	13.00	CH35-51C	EL296UH110XV60C	7514839
XC14-036-230A	TXV	36,000	16.00	13.00	CH35-51C	SL280UH090V60C	7514859
XC14-036-230A	TXV	36,000	16.00	13.00	CH35-51C	SL280UH090XV60C	7514860
XC14-036-230A	TXV	35,800	16.00	13.00	CH35-51C	SL280UH110V60C	7514849
XC14-036-230A	TXV	35,800	16.00	13.00	CH35-51C	SL280UH110XV60C	7514850
XC14-036-230A	TXV	35,400	16.00	13.00	CH35-51C	SLP98UH090XV36C	7514847
XC14-036-230A	TXV	35,200	16.00	13.00	CH35-51C	SLP98UH090XV48C	7514837
XC14-036-230A	TXV	35,800	16.00	13.00	CH35-51C	SLP98UH110XV60C	7514840
XC14-036-230A	TXV	34,800	14.50	12.20	CH35-51C		7514499
XC14-036-230A	TXV	33,600	14.50	12.20	CR33-30/36A	EL180DF045E36A	7514842
XC14-036-230A	TXV	33,600	15.00	12.50	CR33-30/36A	SL280DF070V36A	7514841
XC14-036-230A	TXV	33,600	15.50	12.50	CR33-30/36B	EL180DF070E36B	7514832
XC14-036-230A	TXV	33,600	15.10	12.50	CR33-30/36B	EL180DF090E48B	7514833
XC14-036-230A	TXV	33,600	15.10	12.50	CR33-30/36B	EL195DF070XE48B	7514836
XC14-036-230A	TXV	33,600	15.00	12.20	CR33-30/36B	EL296DF045XV36B	7514826
XC14-036-230A	TXV	33,600	15.10	12.50	CR33-30/36B	EL296DF070XE48B	7514825
XC14-036-230A	TXV	33,600	14.50	12.20	CR33-30/36B	EL296DF070XV48B	7514827
XC14-036-230A	TXV	33,800	15.10	12.50	CR33-30/36B	SL280DF090V48B	7514831
XC14-036-230A	TXV	33,800	15.00	12.50	CR33-30/36B	SLP98DF070XV36B	7514828
XC14-036-230A	TXV	33,800	15.50	12.50	CR33-30/36C	EL180DF110E60C	7514830
XC14-036-230A	TXV	33,600	15.10	12.50	CR33-30/36C	EL195DF090XE48C	7514819
XC14-036-230A	TXV	33,600	15.10	12.50	CR33-30/36C	EL195DF110XE60C	7514821
XC14-036-230A	TXV	33,600	15.10	12.50	CR33-30/36C	EL296DF090XE48C	7615399
XC14-036-230A	TXV	34,000	15.10	12.50	CR33-30/36C	EL296DF090XV60C	7615396
XC14-036-230A	TXV	33,600	15.10	12.50	CR33-30/36C	EL296DF110XE60C	7615400
XC14-036-230A	TXV	34,000	15.10	12.50	CR33-30/36C	EL296DF110XV60C	7615397
XC14-036-230A	TXV	34,000	15.50	12.50	CR33-30/36C	SL280DF110V60C	7514829
XC14-036-230A	TXV	33,800	15.10	12.50	CR33-30/36C	SLP98DF090XV36C	7514823
XC14-036-230A	TXV	33,800	15.10	12.50	CR33-30/36C	SLP98DF090XV48C	7514824
XC14-036-230A	TXV	34,000	15.10	12.50	CR33-30/36C	SLP98DF090XV60C	7514814
XC14-036-230A	TXV	34,000	15.10	12.50	CR33-30/36C	SLP98DF110XV60C	7514816
XC14-036-230A	TXV	34,200	15.00	12.50	CR33-48B	EL180DF070E36B	7514595
XC14-036-230A	TXV	34,200	15.50	12.50	CR33-48B	EL180DF090E48B	7514596
XC14-036-230A	TXV	34,000	15.10	12.50	CR33-48B	EL195DF045XE36B	7514585
XC14-036-230A	TXV	34,000	15.50	12.50	CR33-48B	EL195DF070XE48B	7514587
XC14-036-230A	TXV	34,000	15.50	12.50	CR33-48B	EL296DF045XE36B	7514586
XC14-036-230A	TXV	34,200	15.10	12.50	CR33-48B	EL296DF045XV36B	7622667
XC14-036-230A	TXV	34,000	15.50	12.50	CR33-48B	EL296DF070XE48B	7514588

NOTES:

TXV = Matched with Thermostatic Expansion Valve.

RFC = Matched with RFC metering device.

AHRI certified to AHRI Standard 210/240 (with 25 ft. of connecting refrigerant lines); 95°F outdoor air temperature, 80°F db / 67°F wb entering evaporator air.

All ratings include the use of a blower time delay relay (TDR). All Lennox variable-speed furnaces and Air Handlers have time delay capabilities. Other Furnaces and Air Handlers may require an optional time delay relay (**58M81**) for field installation. See furnace or air handler specifications to determine if relay is needed.

Also see Expansion Valve Kit Usage Table.

AHRI SYSTEM MATCHES - SOUTHWEST REGION - 036

NOTE - For the latest up-to-date system matches please visit the AHRI web site at <http://www.ahridirectory.org>

Model No.	Expansion Device	Capacity	SEER	EER	Coil or Air Handler	Furnace	AHRI Reference
XC14-036-230A	TXV	34,200	15.10	12.50	CR33-48B	EL296DF070XV48B	7514590
XC14-036-230A	TXV	34,600	15.50	12.50	CR33-48B	SL280DF090V48B	7514594
XC14-036-230A	TXV	34,000	15.50	12.50	CR33-48B	SLP98DF070XV36B	7514579
XC14-036-230A	TXV	34,400	16.00	13.00	CR33-48C	EL180DF110E60C	7514581
XC14-036-230A	TXV	34,200	15.50	12.50	CR33-48C	EL195DF090XE48C	7514582
XC14-036-230A	TXV	34,200	15.50	12.50	CR33-48C	EL195DF110XE60C	7514584
XC14-036-230A	TXV	34,200	15.50	12.50	CR33-48C	EL296DF090XE48C	7514583
XC14-036-230A	TXV	34,600	15.50	12.50	CR33-48C	EL296DF090XV60C	7514576
XC14-036-230A	TXV	34,200	15.50	12.50	CR33-48C	EL296DF110XE60C	7514573
XC14-036-230A	TXV	34,600	15.50	12.50	CR33-48C	EL296DF110XV60C	7514578
XC14-036-230A	TXV	34,600	16.00	13.00	CR33-48C	SL280DF110V60C	7514580
XC14-036-230A	TXV	34,400	15.50	12.50	CR33-48C	SLP98DF090XV36C	7514574
XC14-036-230A	TXV	34,400	16.00	13.00	CR33-48C	SLP98DF090XV48C	7514575
XC14-036-230A	TXV	34,600	15.50	12.50	CR33-48C	SLP98DF090XV60C	7514577
XC14-036-230A	TXV	34,600	15.50	12.50	CR33-48C	SLP98DF110XV60C	7514567
XC14-036-230A	TXV	34,200	15.10	12.50	CX34-31A	EL180UH045E36A	7514807
XC14-036-230A	TXV	34,200	15.10	12.50	CX34-31A	EL180UH045XE36A	7514808
XC14-036-230A	TXV	34,400	15.10	12.50	CX34-31A	SL280UH070V36A	7514817
XC14-036-230A	TXV	34,400	15.10	12.50	CX34-31A	SL280UH070XV36A	7514818
XC14-036-230A	TXV	34,400	15.00	12.50	CX34-31B	EL180UH070E36B	7514812
XC14-036-230A	TXV	34,400	15.00	12.50	CX34-31B	EL180UH070XE36B	7514801
XC14-036-230A	TXV	34,400	15.50	12.50	CX34-31B	EL180UH090E48B	7514802
XC14-036-230A	TXV	34,400	15.50	12.50	CX34-31B	EL180UH090XE48B	7514803
XC14-036-230A	TXV	34,000	14.50	12.20	CX34-31B	EL195UH045XE36B	7514804
XC14-036-230A	TXV	34,000	15.10	12.50	CX34-31B	EL195UH070XE36B	7514806
XC14-036-230A	TXV	34,000	14.50	12.20	CX34-31B	EL296UH045XE36B	7514805
XC14-036-230A	TXV	34,200	15.10	12.50	CX34-31B	EL296UH045XV36B	7514796
XC14-036-230A	TXV	34,000	15.10	12.50	CX34-31B	EL296UH070XE36B	7514795
XC14-036-230A	TXV	34,200	15.10	12.50	CX34-31B	EL296UH070XV36B	7514797
XC14-036-230A	TXV	34,400	15.50	12.50	CX34-31B	SL280UH090V36B	7514809
XC14-036-230A	TXV	34,400	15.50	12.50	CX34-31B	SL280UH090V48B	7514810
XC14-036-230A	TXV	34,400	15.50	12.50	CX34-31B	SL280UH090XV48B	7514811
XC14-036-230A	TXV	34,200	15.10	12.50	CX34-31B	SLP98UH070XV36B	7514798
XC14-036-230A	TXV	33,200	14.50	12.20	CX34-36A	EL180UH045E36A	7514789
XC14-036-230A	TXV	33,200	14.50	12.20	CX34-36A	EL180UH045XE36A	7514790
XC14-036-230A	TXV	33,400	15.00	12.20	CX34-36A	SL280UH070V36A	7514799
XC14-036-230A	TXV	33,400	15.00	12.20	CX34-36A	SL280UH070XV36A	7514800
XC14-036-230A	TXV	33,400	15.50	12.50	CX34-36B	EL180UH070E36B	7514794
XC14-036-230A	TXV	33,400	15.50	12.50	CX34-36B	EL180UH070XE36B	7514783
XC14-036-230A	TXV	33,400	15.10	12.50	CX34-36B	EL180UH090E48B	7514784
XC14-036-230A	TXV	33,400	15.10	12.50	CX34-36B	EL180UH090XE48B	7514785
XC14-036-230A	TXV	33,000	15.00	12.50	CX34-36B	EL195UH045XE36B	7514786
XC14-036-230A	TXV	33,000	15.00	12.50	CX34-36B	EL296UH045XE36B	7514787
XC14-036-230A	TXV	33,400	15.00	12.50	CX34-36B	EL296UH045XV36B	7514778
XC14-036-230A	TXV	33,400	15.00	12.50	CX34-36B	EL296UH070XV36B	7514779
XC14-036-230A	TXV	33,600	15.50	12.50	CX34-36B	SL280UH090V36B	7514791
XC14-036-230A	TXV	33,600	15.50	12.50	CX34-36B	SL280UH090V48B	7514792
XC14-036-230A	TXV	33,600	15.50	12.50	CX34-36B	SL280UH090XV48B	7514793
XC14-036-230A	TXV	33,400	15.00	12.50	CX34-36B	SLP98UH070XV36B	7514780

NOTES:

TXV = Matched with Thermostatic Expansion Valve.

RFC = Matched with RFC metering device.

AHRI certified to AHRI Standard 210/240 (with 25 ft. of connecting refrigerant lines); 95°F outdoor air temperature, 80°F db / 67°F wb entering evaporator air.

All ratings include the use of a blower time delay relay (TDR). All Lennox variable-speed furnaces and Air Handlers have time delay capabilities. Other Furnaces and Air Handlers may require an optional time delay relay (**58M81**) for field installation. See furnace or air handler specifications to determine if relay is needed.

Also see Expansion Valve Kit Usage Table.

AHRI SYSTEM MATCHES - SOUTHWEST REGION - 036

NOTE - For the latest up-to-date system matches please visit the AHRI web site at <http://www.ahridirectory.org>

Model No.	Expansion Device	Capacity	SEER	EER	Coil or Air Handler	Furnace	AHRI Reference
XC14-036-230A	TXV	33,600	15.10	12.50	CX34-36C	EL180UH090E60C	7514781
XC14-036-230A	TXV	33,400	15.50	12.50	CX34-36C	EL180UH110E60C	7514782
XC14-036-230A	TXV	33,400	15.50	12.50	CX34-36C	EL180UH110XE60C	7514771
XC14-036-230A	TXV	33,200	15.10	12.50	CX34-36C	EL195UH090XE48C	7514772
XC14-036-230A	TXV	33,600	15.10	12.50	CX34-36C	EL195UH110XE60C	7514774
XC14-036-230A	TXV	33,200	15.10	12.50	CX34-36C	EL296UH090XE48C	7514773
XC14-036-230A	TXV	33,600	15.50	12.50	CX34-36C	EL296UH090XV36C	7514776
XC14-036-230A	TXV	33,400	15.50	12.50	CX34-36C	EL296UH090XV48C	7514766
XC14-036-230A	TXV	33,600	15.10	12.50	CX34-36C	EL296UH110XE60C	7514775
XC14-036-230A	TXV	33,600	15.50	12.50	CX34-36C	EL296UH110XV48C	7514768
XC14-036-230A	TXV	33,600	15.50	12.50	CX34-36C	SLP98UH090XV36C	7514765
XC14-036-230A	TXV	33,400	15.50	12.50	CX34-36C	SLP98UH090XV48C	7514767
XC14-036-230A	TXV	33,800	15.50	12.50	CX34-36C	SLP98UH110XV60C	7514568
XC14-036-230A	TXV	34,400	15.10	12.50	CX34-38A	EL180UH045E36A	7514759
XC14-036-230A	TXV	34,400	15.10	12.50	CX34-38A	EL180UH045XE36A	7514760
XC14-036-230A	TXV	34,600	15.50	12.50	CX34-38A	SL280UH070V36A	7514769
XC14-036-230A	TXV	34,600	15.50	12.50	CX34-38A	SL280UH070XV36A	7514770
XC14-036-230A	TXV	34,200	14.50	12.20	CX34-38A		7514495
XC14-036-230A	TXV	34,600	15.50	12.50	CX34-38B	CBWMV-36B-070	8581798
XC14-036-230A	TXV	34,600	16.00	13.00	CX34-38B	EL180UH070E36B	7514764
XC14-036-230A	TXV	34,600	16.00	13.00	CX34-38B	EL180UH070XE36B	7514753
XC14-036-230A	TXV	34,600	15.50	12.50	CX34-38B	EL180UH090E48B	7514754
XC14-036-230A	TXV	34,600	15.50	12.50	CX34-38B	EL180UH090XE48B	7514755
XC14-036-230A	TXV	34,400	15.00	12.50	CX34-38B	EL195UH045XE36B	7514756
XC14-036-230A	TXV	34,400	15.00	12.50	CX34-38B	EL195UH070XE36B	7514758
XC14-036-230A	TXV	34,400	15.00	12.50	CX34-38B	EL296UH045XE36B	7514757
XC14-036-230A	TXV	34,600	15.50	12.50	CX34-38B	EL296UH045XV36B	7514748
XC14-036-230A	TXV	34,400	15.00	12.50	CX34-38B	EL296UH070XE36B	7514747
XC14-036-230A	TXV	34,600	15.50	12.50	CX34-38B	EL296UH070XV36B	7514749
XC14-036-230A	TXV	34,800	16.00	13.00	CX34-38B	SL280UH090V36B	7514761
XC14-036-230A	TXV	34,800	16.00	13.00	CX34-38B	SL280UH090V48B	7514762
XC14-036-230A	TXV	34,800	16.00	13.00	CX34-38B	SL280UH090XV48B	7514763
XC14-036-230A	TXV	34,600	15.50	12.50	CX34-38B	SLP98UH070XV36B	7514750
XC14-036-230A	TXV	34,200	14.25	12.20	CX34-38B		7514467
XC14-036-230A	TXV	33,400	15.50	12.50	CX34-42	EL180UH070E36B	7514572
XC14-036-230A	TXV	33,400	15.50	12.50	CX34-42	EL180UH070XE36B	7514561
XC14-036-230A	TXV	33,400	15.10	12.50	CX34-42	EL180UH090E48B	7514562
XC14-036-230A	TXV	33,400	15.10	12.50	CX34-42	EL180UH090XE48B	7514563
XC14-036-230A	TXV	33,000	15.00	12.50	CX34-42	EL195UH045XE36B	7514564
XC14-036-230A	TXV	33,000	15.00	12.50	CX34-42	EL296UH045XE36B	7514565
XC14-036-230A	TXV	33,400	15.00	12.50	CX34-42	EL296UH045XV36B	7514556
XC14-036-230A	TXV	33,400	15.00	12.50	CX34-42	EL296UH070XV36B	7514557
XC14-036-230A	TXV	33,600	15.50	12.50	CX34-42	SL280UH090V36B	7514569
XC14-036-230A	TXV	33,600	15.50	12.50	CX34-42	SL280UH090V48B	7514570
XC14-036-230A	TXV	33,600	15.50	12.50	CX34-42	SL280UH090XV48B	7514571
XC14-036-230A	TXV	33,400	15.00	12.50	CX34-42	SLP98UH070XV36B	7514558
XC14-036-230A	TXV	34,800	16.00	13.00	CX34-43B	EL180UH070E36B	7514742
XC14-036-230A	TXV	34,800	16.00	13.00	CX34-43B	EL180UH070XE36B	7514743
XC14-036-230A	TXV	34,800	16.00	13.00	CX34-43B	EL180UH090E48B	7514744

NOTES:

TXV = Matched with Thermostatic Expansion Valve.

RFC = Matched with RFC metering device.

AHRI certified to AHRI Standard 210/240 (with 25 ft. of connecting refrigerant lines); 95°F outdoor air temperature, 80°F db / 67°F wb entering evaporator air.

All ratings include the use of a blower time delay relay (TDR). All Lennox variable-speed furnaces and Air Handlers have time delay capabilities. Other Furnaces and Air Handlers may require an optional time delay relay (**58M81**) for field installation. See furnace or air handler specifications to determine if relay is needed.

Also see Expansion Valve Kit Usage Table.

AHRI SYSTEM MATCHES - SOUTHWEST REGION - 036

NOTE - For the latest up-to-date system matches please visit the AHRI web site at <http://www.ahridirectory.org>

Model No.	Expansion Device	Capacity	SEER	EER	Coil or Air Handler	Furnace	AHRI Reference
XC14-036-230A	TXV	34,800	16.00	13.00	CX34-43B	EL180UH090XE48B	7514745
XC14-036-230A	TXV	34,400	15.00	12.50	CX34-43B	EL195UH045XE36B	7514746
XC14-036-230A	TXV	34,600	15.10	12.50	CX34-43B	EL195UH070XE36B	7514736
XC14-036-230A	TXV	34,400	15.00	12.50	CX34-43B	EL296UH045XE36B	7514735
XC14-036-230A	TXV	34,800	15.50	12.50	CX34-43B	EL296UH045XV36B	7514738
XC14-036-230A	TXV	34,600	15.10	12.50	CX34-43B	EL296UH070XE36B	7514737
XC14-036-230A	TXV	34,800	15.50	12.50	CX34-43B	EL296UH070XV36B	7514739
XC14-036-230A	TXV	34,800	16.00	13.00	CX34-43B	SL280UH090V36B	7514751
XC14-036-230A	TXV	35,000	16.00	13.00	CX34-43B	SL280UH090V48B	7514752
XC14-036-230A	TXV	35,000	16.00	13.00	CX34-43B	SL280UH090XV48B	7514741
XC14-036-230A	TXV	34,800	15.50	12.50	CX34-43B	SLP98UH070XV36B	7514740
XC14-036-230A	TXV	34,400	14.50	12.20	CX34-43B		7514496
XC14-036-230A	TXV	34,800	16.00	13.00	CX34-43C	EL180UH090E60C	7514733
XC14-036-230A	TXV	34,800	16.00	13.00	CX34-43C	EL180UH110E60C	7514734
XC14-036-230A	TXV	34,800	16.00	13.00	CX34-43C	EL180UH110XE60C	7514723
XC14-036-230A	TXV	34,600	15.50	12.50	CX34-43C	EL195UH090XE48C	7514724
XC14-036-230A	TXV	34,800	16.00	13.00	CX34-43C	EL195UH110XE60C	7514726
XC14-036-230A	TXV	34,600	15.50	12.50	CX34-43C	EL296UH090XE48C	7514725
XC14-036-230A	TXV	34,800	16.00	13.00	CX34-43C	EL296UH090XV36C	7514728
XC14-036-230A	TXV	34,800	16.00	13.00	CX34-43C	EL296UH090XV48C	7514718
XC14-036-230A	TXV	34,600	16.00	13.00	CX34-43C	EL296UH110XE60C	7514727
XC14-036-230A	TXV	35,000	16.00	13.00	CX34-43C	EL296UH110XV48C	7514720
XC14-036-230A	TXV	35,200	16.00	13.00	CX34-43C	EL296UH110XV60C	7514721
XC14-036-230A	TXV	35,400	16.00	13.00	CX34-43C	SL280UH090V60C	7514729
XC14-036-230A	TXV	35,400	16.00	13.00	CX34-43C	SL280UH090XV60C	7514730
XC14-036-230A	TXV	35,200	16.00	13.00	CX34-43C	SL280UH110V60C	7514731
XC14-036-230A	TXV	35,200	16.00	13.00	CX34-43C	SL280UH110XV60C	7514732
XC14-036-230A	TXV	34,800	16.00	13.00	CX34-43C	SLP98UH090XV36C	7514717
XC14-036-230A	TXV	34,800	16.00	13.00	CX34-43C	SLP98UH090XV48C	7514719
XC14-036-230A	TXV	35,200	16.00	13.00	CX34-43C	SLP98UH110XV60C	7514722
XC14-036-230A	TXV	34,400	14.50	12.20	CX34-43C		7514485
XC14-036-230A	TXV	34,200	16.00	13.00	CX34-44/48B	EL180UH070E36B	7514714
XC14-036-230A	TXV	34,200	16.00	13.00	CX34-44/48B	EL180UH070XE36B	7514715
XC14-036-230A	TXV	34,200	15.50	12.50	CX34-44/48B	EL180UH090E48B	7614656
XC14-036-230A	TXV	34,200	15.50	12.50	CX34-44/48B	EL180UH090XE48B	7514705
XC14-036-230A	TXV	33,800	15.10	12.50	CX34-44/48B	EL195UH045XE36B	7514706
XC14-036-230A	TXV	34,200	15.00	12.50	CX34-44/48B	EL195UH070XE36B	7514708
XC14-036-230A	TXV	33,800	15.10	12.50	CX34-44/48B	EL296UH045XE36B	7514707
XC14-036-230A	TXV	34,200	15.10	12.50	CX34-44/48B	EL296UH045XV36B	7514710
XC14-036-230A	TXV	34,200	15.00	12.50	CX34-44/48B	EL296UH070XE36B	7514709
XC14-036-230A	TXV	34,200	15.10	12.50	CX34-44/48B	EL296UH070XV36B	7614669
XC14-036-230A	TXV	34,400	16.00	13.00	CX34-44/48B	SL280UH090V36B	7514711
XC14-036-230A	TXV	34,400	16.00	13.00	CX34-44/48B	SL280UH090V48B	7514712
XC14-036-230A	TXV	34,400	16.00	13.00	CX34-44/48B	SL280UH090XV48B	7514713
XC14-036-230A	TXV	34,200	15.10	12.50	CX34-44/48B	SLP98UH070XV36B	7514700
XC14-036-230A	TXV	34,400	15.50	12.50	CX34-44/48C	EL180UH090E60C	7514693
XC14-036-230A	TXV	34,400	16.00	13.00	CX34-44/48C	EL180UH110E60C	7514694
XC14-036-230A	TXV	34,400	16.00	13.00	CX34-44/48C	EL180UH110XE60C	7514695
XC14-036-230A	TXV	34,200	15.50	12.50	CX34-44/48C	EL195UH090XE48C	7514696

NOTES:

TXV = Matched with Thermostatic Expansion Valve.

RFC = Matched with RFC metering device.

AHRI certified to AHRI Standard 210/240 (with 25 ft. of connecting refrigerant lines); 95°F outdoor air temperature, 80°F db / 67°F wb entering evaporator air.

All ratings include the use of a blower time delay relay (TDR). All Lennox variable-speed furnaces and Air Handlers have time delay capabilities. Other Furnaces and Air Handlers may require an optional time delay relay (**58M81**) for field installation. See furnace or air handler specifications to determine if relay is needed.

Also see Expansion Valve Kit Usage Table.

AHRI SYSTEM MATCHES - SOUTHWEST REGION - 036

NOTE - For the latest up-to-date system matches please visit the AHRI web site at <http://www.ahridirectory.org>

Model No.	Expansion Device	Capacity	SEER	EER	Coil or Air Handler	Furnace	AHRI Reference
XC14-036-230A	TXV	34,400	15.50	12.50	CX34-44/48C	EL195UH110XE60C	7514698
XC14-036-230A	TXV	34,200	15.50	12.50	CX34-44/48C	EL296UH090XE48C	7514697
XC14-036-230A	TXV	34,400	15.50	12.50	CX34-44/48C	EL296UH090XV36C	7514688
XC14-036-230A	TXV	34,200	16.00	13.00	CX34-44/48C	EL296UH090XV48C	7514690
XC14-036-230A	TXV	34,200	15.50	12.50	CX34-44/48C	EL296UH110XE60C	7514687
XC14-036-230A	TXV	34,400	16.00	13.00	CX34-44/48C	EL296UH110XV48C	7514692
XC14-036-230A	TXV	34,800	16.00	13.00	CX34-44/48C	EL296UH110XV60C	7514681
XC14-036-230A	TXV	34,800	16.00	13.00	CX34-44/48C	SL280UH090V60C	7514701
XC14-036-230A	TXV	34,800	16.00	13.00	CX34-44/48C	SL280UH090XV60C	7514702
XC14-036-230A	TXV	34,600	15.50	12.50	CX34-44/48C	SL280UH110V60C	7514703
XC14-036-230A	TXV	34,600	15.50	12.50	CX34-44/48C	SL280UH110XV60C	7514704
XC14-036-230A	TXV	34,400	15.50	12.50	CX34-44/48C	SLP98UH090XV36C	7514689
XC14-036-230A	TXV	34,200	16.00	13.00	CX34-44/48C	SLP98UH090XV48C	7514691
XC14-036-230A	TXV	34,800	16.00	13.00	CX34-44/48C	SLP98UH110XV60C	7514682
XC14-036-230A	TXV	35,200	16.00	13.00	CX34-49	EL180UH090E60C	7514551
XC14-036-230A	TXV	35,000	16.00	13.00	CX34-49	EL180UH110E60C	7514552
XC14-036-230A	TXV	35,000	16.00	13.00	CX34-49	EL180UH110XE60C	7514553
XC14-036-230A	TXV	34,800	16.00	13.00	CX34-49	EL195UH090XE48C	7514554
XC14-036-230A	TXV	35,200	16.00	13.00	CX34-49	EL195UH110XE60C	7514544
XC14-036-230A	TXV	34,800	16.00	13.00	CX34-49	EL296UH090XE48C	7514543
XC14-036-230A	TXV	35,200	16.00	13.00	CX34-49	EL296UH090XV36C	7514546
XC14-036-230A	TXV	35,000	16.00	13.00	CX34-49	EL296UH090XV48C	7514548
XC14-036-230A	TXV	35,200	16.00	13.00	CX34-49	EL296UH110XE60C	7514545
XC14-036-230A	TXV	35,200	16.00	13.00	CX34-49	EL296UH110XV48C	7514540
XC14-036-230A	TXV	35,600	16.00	13.00	CX34-49	EL296UH110XV60C	7514541
XC14-036-230A	TXV	35,600	16.00	13.00	CX34-49	SL280UH090V60C	7514559
XC14-036-230A	TXV	35,600	16.00	13.00	CX34-49	SL280UH090XV60C	7514560
XC14-036-230A	TXV	35,400	16.00	13.00	CX34-49	SL280UH110V60C	7514549
XC14-036-230A	TXV	35,400	16.00	13.00	CX34-49	SL280UH110XV60C	7514550
XC14-036-230A	TXV	35,200	16.00	13.00	CX34-49	SLP98UH090XV36C	7514547
XC14-036-230A	TXV	35,000	16.00	13.00	CX34-49	SLP98UH090XV48C	7514539
XC14-036-230A	TXV	35,600	16.00	13.00	CX34-49	SLP98UH110XV60C	7514542
XC14-036-230A	TXV	34,600	14.50	12.20	CX34-49		7514478
XC14-036-230A	TXV	34,800	16.00	13.00	CX34-50/60C	EL180UH090E60C	7514675
XC14-036-230A	TXV	34,800	16.00	13.00	CX34-50/60C	EL180UH110E60C	7514676
XC14-036-230A	TXV	34,800	16.00	13.00	CX34-50/60C	EL180UH110XE60C	7514677
XC14-036-230A	TXV	34,600	15.50	12.50	CX34-50/60C	EL195UH090XE48C	7514678
XC14-036-230A	TXV	34,800	16.00	13.00	CX34-50/60C	EL195UH110XE60C	7514680
XC14-036-230A	TXV	34,600	15.50	12.50	CX34-50/60C	EL296UH090XE48C	7514679
XC14-036-230A	TXV	34,800	16.00	13.00	CX34-50/60C	EL296UH090XV36C	7514670
XC14-036-230A	TXV	34,800	16.00	13.00	CX34-50/60C	EL296UH090XV48C	7514672
XC14-036-230A	TXV	34,800	16.00	13.00	CX34-50/60C	EL296UH110XE60C	7514669
XC14-036-230A	TXV	35,000	16.00	13.00	CX34-50/60C	EL296UH110XV48C	7514674
XC14-036-230A	TXV	35,200	16.00	13.00	CX34-50/60C	EL296UH110XV60C	7514663
XC14-036-230A	TXV	35,200	16.00	13.00	CX34-50/60C	SL280UH090V60C	7514683
XC14-036-230A	TXV	35,200	16.00	13.00	CX34-50/60C	SL280UH090XV60C	7514684
XC14-036-230A	TXV	35,000	16.00	13.00	CX34-50/60C	SL280UH110V60C	7514685
XC14-036-230A	TXV	35,000	16.00	13.00	CX34-50/60C	SL280UH110XV60C	7514686
XC14-036-230A	TXV	34,800	16.00	13.00	CX34-50/60C	SLP98UH090XV36C	7514671

NOTES:

TXV = Matched with Thermostatic Expansion Valve.

RFC = Matched with RFC metering device.

AHRI certified to AHRI Standard 210/240 (with 25 ft. of connecting refrigerant lines); 95°F outdoor air temperature, 80°F db / 67°F wb entering evaporator air.

All ratings include the use of a blower time delay relay (TDR). All Lennox variable-speed furnaces and Air Handlers have time delay capabilities. Other Furnaces and Air Handlers may require an optional time delay relay (**58M81**) for field installation. See furnace or air handler specifications to determine if relay is needed.

Also see Expansion Valve Kit Usage Table.

AHRI SYSTEM MATCHES - SOUTHWEST REGION - 036

NOTE - For the latest up-to-date system matches please visit the AHRI web site at <http://www.ahridirectory.org>

Model No.	Expansion Device	Capacity	SEER	EER	Coil or Air Handler	Furnace	AHRI Reference
XC14-036-230A	TXV	34,800	16.00	13.00	CX34-50/60C	SLP98UH090XV48C	7514673
XC14-036-230A	TXV	35,200	16.00	13.00	CX34-50/60C	SLP98UH110XV60C	7514664
XC14-036-230A	TXV	34,200	14.50	12.20	CX34-50/60C		7514488
XC14-036-230A	TXV	33,200	14.50	12.20	CX35-30/36A	EL180UH045E36A	8265940
XC14-036-230A	TXV	33,200	14.50	12.20	CX35-30/36A	EL180UH045XE36A	8265941
XC14-036-230A	TXV	33,400	15.00	12.20	CX35-30/36A	SL280UH070V36A	8265942
XC14-036-230A	TXV	33,400	15.00	12.20	CX35-30/36A	SL280UH070XV36A	8265943
XC14-036-230A	TXV	33,400	15.50	12.50	CX35-30/36B	EL180UH070E36B	8265955
XC14-036-230A	TXV	33,400	15.50	12.50	CX35-30/36B	EL180UH070XE36B	8265947
XC14-036-230A	TXV	33,400	15.10	12.50	CX35-30/36B	EL180UH090E48B	8265948
XC14-036-230A	TXV	33,400	15.10	12.50	CX35-30/36B	EL180UH090XE48B	8265949
XC14-036-230A	TXV	33,000	15.00	12.50	CX35-30/36B	EL195UH045XE36B	8265950
XC14-036-230A	TXV	33,000	15.00	12.50	CX35-30/36B	EL296UH045XE36B	8265951
XC14-036-230A	TXV	33,400	15.00	12.50	CX35-30/36B	EL296UH045XV36B	8265944
XC14-036-230A	TXV	33,400	15.00	12.50	CX35-30/36B	EL296UH070XV36B	8265945
XC14-036-230A	TXV	33,600	15.50	12.50	CX35-30/36B	SL280UH090V36B	8265952
XC14-036-230A	TXV	33,600	15.50	12.50	CX35-30/36B	SL280UH090V48B	8265953
XC14-036-230A	TXV	33,600	15.50	12.50	CX35-30/36B	SL280UH090XV48B	8265954
XC14-036-230A	TXV	33,400	15.00	12.50	CX35-30/36B	SLP98UH070XV36B	8265946
XC14-036-230A	TXV	33,600	15.10	12.50	CX35-30/36C	EL180UH090E60C	8265967
XC14-036-230A	TXV	33,400	15.50	12.50	CX35-30/36C	EL180UH110E60C	8265968
XC14-036-230A	TXV	33,400	15.50	12.50	CX35-30/36C	EL180UH110XE60C	8265961
XC14-036-230A	TXV	33,200	15.10	12.50	CX35-30/36C	EL195UH090XE48C	8265962
XC14-036-230A	TXV	33,600	15.10	12.50	CX35-30/36C	EL195UH110XE60C	8265964
XC14-036-230A	TXV	33,200	15.10	12.50	CX35-30/36C	EL296UH090XE48C	8265963
XC14-036-230A	TXV	33,600	15.50	12.50	CX35-30/36C	EL296UH090XV36C	8265966
XC14-036-230A	TXV	33,400	15.50	12.50	CX35-30/36C	EL296UH090XV48C	8265958
XC14-036-230A	TXV	33,600	15.10	12.50	CX35-30/36C	EL296UH110XE60C	8265965
XC14-036-230A	TXV	33,600	15.50	12.50	CX35-30/36C	EL296UH110XV48C	8265960
XC14-036-230A	TXV	33,600	15.50	12.50	CX35-30/36C	SLP98UH090XV36C	8265957
XC14-036-230A	TXV	33,400	15.50	12.50	CX35-30/36C	SLP98UH090XV48C	8265959
XC14-036-230A	TXV	33,800	15.50	12.50	CX35-30/36C	SLP98UH110XV60C	8265956
XC14-036-230A	TXV	34,200	15.10	12.50	CX35-30A	EL180UH045E36A	8265922
XC14-036-230A	TXV	34,200	15.10	12.50	CX35-30A	EL180UH045XE36A	8265923
XC14-036-230A	TXV	34,400	15.10	12.50	CX35-30A	SL280UH070V36A	8265924
XC14-036-230A	TXV	34,400	15.10	12.50	CX35-30A	SL280UH070XV36A	8265925
XC14-036-230A	TXV	34,400	15.00	12.50	CX35-30B	EL180UH070E36B	8265939
XC14-036-230A	TXV	34,400	15.00	12.50	CX35-30B	EL180UH070XE36B	8265930
XC14-036-230A	TXV	34,400	15.50	12.50	CX35-30B	EL180UH090E48B	8265931
XC14-036-230A	TXV	34,400	15.50	12.50	CX35-30B	EL180UH090XE48B	8265932
XC14-036-230A	TXV	34,000	14.50	12.20	CX35-30B	EL195UH045XE36B	8265933
XC14-036-230A	TXV	34,000	15.10	12.50	CX35-30B	EL195UH070XE36B	8265935
XC14-036-230A	TXV	34,000	14.50	12.20	CX35-30B	EL296UH045XE36B	8265934
XC14-036-230A	TXV	34,200	15.10	12.50	CX35-30B	EL296UH045XV36B	8265927
XC14-036-230A	TXV	34,000	15.10	12.50	CX35-30B	EL296UH070XE36B	8265926
XC14-036-230A	TXV	34,200	15.10	12.50	CX35-30B	EL296UH070XV36B	8265928
XC14-036-230A	TXV	34,400	15.50	12.50	CX35-30B	SL280UH090V36B	8265936
XC14-036-230A	TXV	34,400	15.50	12.50	CX35-30B	SL280UH090V48B	8265937
XC14-036-230A	TXV	34,400	15.50	12.50	CX35-30B	SL280UH090XV48B	8265938

NOTES:

TXV = Matched with Thermostatic Expansion Valve.

RFC = Matched with RFC metering device.

AHRI certified to AHRI Standard 210/240 (with 25 ft. of connecting refrigerant lines); 95°F outdoor air temperature, 80°F db / 67°F wb entering evaporator air.

All ratings include the use of a blower time delay relay (TDR). All Lennox variable-speed furnaces and Air Handlers have time delay capabilities. Other Furnaces and Air Handlers may require an optional time delay relay (**58M81**) for field installation. See furnace or air handler specifications to determine if relay is needed.

Also see Expansion Valve Kit Usage Table.

AHRI SYSTEM MATCHES - SOUTHWEST REGION - 036

NOTE - For the latest up-to-date system matches please visit the AHRI web site at <http://www.ahridirectory.org>

Model No.	Expansion Device	Capacity	SEER	EER	Coil or Air Handler	Furnace	AHRI Reference
XC14-036-230A	TXV	34,200	15.10	12.50	CX35-30B	SLP98UH070XV36B	8265929
XC14-036-230A	TXV	34,400	15.10	12.50	CX35-36A	EL180UH045E36A	8265970
XC14-036-230A	TXV	34,400	15.10	12.50	CX35-36A	EL180UH045XE36A	8265971
XC14-036-230A	TXV	34,600	15.50	12.50	CX35-36A	SL280UH070V36A	8265972
XC14-036-230A	TXV	34,600	15.50	12.50	CX35-36A	SL280UH070XV36A	8265973
XC14-036-230A	TXV	34,200	14.25	12.20	CX35-36A		8265969
XC14-036-230A	TXV	34,600	16.00	13.00	CX35-36B	EL180UH070E36B	8265988
XC14-036-230A	TXV	34,600	16.00	13.00	CX35-36B	EL180UH070XE36B	8265979
XC14-036-230A	TXV	34,600	16.00	13.00	CX35-36B	EL180UH090E48B	8265980
XC14-036-230A	TXV	34,600	16.00	13.00	CX35-36B	EL180UH090XE48B	8265981
XC14-036-230A	TXV	34,400	15.00	12.50	CX35-36B	EL195UH045XE36B	8265982
XC14-036-230A	TXV	34,400	15.00	12.50	CX35-36B	EL195UH070XE36B	8265984
XC14-036-230A	TXV	34,400	15.00	12.50	CX35-36B	EL296UH045XE36B	8265983
XC14-036-230A	TXV	34,600	15.50	12.50	CX35-36B	EL296UH045XV36B	8265976
XC14-036-230A	TXV	34,400	15.00	12.50	CX35-36B	EL296UH070XE36B	8265975
XC14-036-230A	TXV	34,600	15.50	12.50	CX35-36B	EL296UH070XV36B	8265977
XC14-036-230A	TXV	34,800	16.00	13.00	CX35-36B	SL280UH090V36B	8265985
XC14-036-230A	TXV	34,800	16.00	13.00	CX35-36B	SL280UH090V48B	8265986
XC14-036-230A	TXV	34,800	16.00	13.00	CX35-36B	SL280UH090XV48B	8265987
XC14-036-230A	TXV	34,600	15.50	12.50	CX35-36B	SLP98UH070XV36B	8265978
XC14-036-230A	TXV	34,200	14.25	12.20	CX35-36B		8265974
XC14-036-230A	TXV	34,800	16.00	13.00	CX35-48B	EL180UH070E36B	8265997
XC14-036-230A	TXV	34,800	16.00	13.00	CX35-48B	EL180UH070XE36B	8265998
XC14-036-230A	TXV	34,800	16.00	13.00	CX35-48B	EL180UH090E48B	8265999
XC14-036-230A	TXV	34,800	16.00	13.00	CX35-48B	EL180UH090XE48B	8266000
XC14-036-230A	TXV	34,400	15.00	12.50	CX35-48B	EL195UH045XE36B	8266001
XC14-036-230A	TXV	34,600	15.10	12.50	CX35-48B	EL195UH070XE36B	8265991
XC14-036-230A	TXV	34,400	15.00	12.50	CX35-48B	EL296UH045XE36B	8265990
XC14-036-230A	TXV	34,800	15.50	12.50	CX35-48B	EL296UH045XV36B	8265993
XC14-036-230A	TXV	34,600	15.10	12.50	CX35-48B	EL296UH070XE36B	8265992
XC14-036-230A	TXV	34,800	15.50	12.50	CX35-48B	EL296UH070XV36B	8265994
XC14-036-230A	TXV	34,800	16.00	13.00	CX35-48B	SL280UH090V36B	8266002
XC14-036-230A	TXV	35,000	16.00	13.00	CX35-48B	SL280UH090V48B	8266003
XC14-036-230A	TXV	35,000	16.00	13.00	CX35-48B	SL280UH090XV48B	8265996
XC14-036-230A	TXV	34,800	15.50	12.50	CX35-48B	SLP98UH070XV36B	8265995
XC14-036-230A	TXV	34,400	14.50	12.20	CX35-48B		8265989
XC14-036-230A	TXV	34,800	16.00	13.00	CX35-48C	EL180UH090E60C	8266021
XC14-036-230A	TXV	34,800	16.00	13.00	CX35-48C	EL180UH110E60C	8266022
XC14-036-230A	TXV	34,800	16.00	13.00	CX35-48C	EL180UH110XE60C	8266011
XC14-036-230A	TXV	34,600	15.50	12.50	CX35-48C	EL195UH090XE48C	8266012
XC14-036-230A	TXV	34,800	16.00	13.00	CX35-48C	EL195UH110XE60C	8266014
XC14-036-230A	TXV	34,600	15.50	12.50	CX35-48C	EL296UH090XE48C	8266013
XC14-036-230A	TXV	34,800	16.00	13.00	CX35-48C	EL296UH090XV36C	8266016
XC14-036-230A	TXV	34,800	16.00	13.00	CX35-48C	EL296UH090XV48C	8266006
XC14-036-230A	TXV	34,600	16.00	13.00	CX35-48C	EL296UH110XE60C	8266015
XC14-036-230A	TXV	35,000	16.00	13.00	CX35-48C	EL296UH110XV48C	8266008
XC14-036-230A	TXV	35,200	16.00	13.00	CX35-48C	EL296UH110XV60C	8266009
XC14-036-230A	TXV	35,400	16.00	13.00	CX35-48C	SL280UH090V60C	8266017
XC14-036-230A	TXV	35,400	16.00	13.00	CX35-48C	SL280UH090XV60C	8266018

NOTES:

TXV = Matched with Thermostatic Expansion Valve.

RFC = Matched with RFC metering device.

AHRI certified to AHRI Standard 210/240 (with 25 ft. of connecting refrigerant lines); 95°F outdoor air temperature, 80°F db / 67°F wb entering evaporator air.

All ratings include the use of a blower time delay relay (TDR). All Lennox variable-speed furnaces and Air Handlers have time delay capabilities. Other Furnaces and Air Handlers may require an optional time delay relay (**58M81**) for field installation. See furnace or air handler specifications to determine if relay is needed.

Also see Expansion Valve Kit Usage Table.

AHRI SYSTEM MATCHES - SOUTHWEST REGION - 036

NOTE - For the latest up-to-date system matches please visit the AHRI web site at <http://www.ahridirectory.org>

Model No.	Expansion Device	Capacity	SEER	EER	Coil or Air Handler	Furnace	AHRI Reference
XC14-036-230A	TXV	35,200	16.00	13.00	CX35-48C	SL280UH110V60C	8266019
XC14-036-230A	TXV	35,200	16.00	13.00	CX35-48C	SL280UH110XV60C	8266020
XC14-036-230A	TXV	34,800	16.00	13.00	CX35-48C	SLP98UH090XV36C	8266005
XC14-036-230A	TXV	34,800	16.00	13.00	CX35-48C	SLP98UH090XV48C	8266007
XC14-036-230A	TXV	35,200	16.00	13.00	CX35-48C	SLP98UH110XV60C	8266010
XC14-036-230A	TXV	34,400	14.50	12.20	CX35-48C		8266004
XC14-036-230A	TXV	35,200	16.00	13.00	CX35-49C	EL180UH090E60C	8266036
XC14-036-230A	TXV	35,000	16.00	13.00	CX35-49C	EL180UH110E60C	8266037
XC14-036-230A	TXV	35,000	16.00	13.00	CX35-49C	EL180UH110XE60C	8266038
XC14-036-230A	TXV	34,800	16.00	13.00	CX35-49C	EL195UH090XE48C	8266039
XC14-036-230A	TXV	35,200	16.00	13.00	CX35-49C	EL195UH110XE60C	8266029
XC14-036-230A	TXV	34,800	16.00	13.00	CX35-49C	EL296UH090XE48C	8266028
XC14-036-230A	TXV	35,200	16.00	13.00	CX35-49C	EL296UH090XV36C	8266031
XC14-036-230A	TXV	35,000	16.00	13.00	CX35-49C	EL296UH090XV48C	8266033
XC14-036-230A	TXV	35,200	16.00	13.00	CX35-49C	EL296UH110XE60C	8266030
XC14-036-230A	TXV	35,200	16.00	13.00	CX35-49C	EL296UH110XV48C	8266025
XC14-036-230A	TXV	35,600	16.00	13.00	CX35-49C	EL296UH110XV60C	8266026
XC14-036-230A	TXV	35,600	16.00	13.00	CX35-49C	SL280UH090V60C	8266040
XC14-036-230A	TXV	35,600	16.00	13.00	CX35-49C	SL280UH090XV60C	8266041
XC14-036-230A	TXV	35,400	16.00	13.00	CX35-49C	SL280UH110V60C	8266034
XC14-036-230A	TXV	35,400	16.00	13.00	CX35-49C	SL280UH110XV60C	8266035
XC14-036-230A	TXV	35,200	16.00	13.00	CX35-49C	SLP98UH090XV36C	8266032
XC14-036-230A	TXV	35,000	16.00	13.00	CX35-49C	SLP98UH090XV48C	8266024
XC14-036-230A	TXV	35,600	16.00	13.00	CX35-49C	SLP98UH110XV60C	8266027
XC14-036-230A	TXV	34,600	14.50	12.20	CX35-49C		8266023
XC14-036-230A	TXV	34,800	16.00	13.00	CX35-50/60C	EL180UH090E60C	8266051
XC14-036-230A	TXV	34,800	16.00	13.00	CX35-50/60C	EL180UH110E60C	8266052
XC14-036-230A	TXV	34,800	16.00	13.00	CX35-50/60C	EL180UH110XE60C	8266053
XC14-036-230A	TXV	34,400	15.50	12.50	CX35-50/60C	EL195UH090XE48C	8266054
XC14-036-230A	TXV	34,800	16.00	13.00	CX35-50/60C	EL195UH110XE60C	8266056
XC14-036-230A	TXV	34,400	15.50	12.50	CX35-50/60C	EL296UH090XE48C	8266055
XC14-036-230A	TXV	34,800	16.00	13.00	CX35-50/60C	EL296UH090XV36C	8266046
XC14-036-230A	TXV	34,600	16.00	13.00	CX35-50/60C	EL296UH090XV48C	8266048
XC14-036-230A	TXV	34,800	16.00	13.00	CX35-50/60C	EL296UH110XE60C	8266045
XC14-036-230A	TXV	34,800	16.00	13.00	CX35-50/60C	EL296UH110XV48C	8266050
XC14-036-230A	TXV	35,200	16.00	13.00	CX35-50/60C	EL296UH110XV60C	8266043
XC14-036-230A	TXV	35,200	16.00	13.00	CX35-50/60C	SL280UH090V60C	8266057
XC14-036-230A	TXV	35,200	16.00	13.00	CX35-50/60C	SL280UH090XV60C	8266058
XC14-036-230A	TXV	35,000	16.00	13.00	CX35-50/60C	SL280UH110V60C	8266059
XC14-036-230A	TXV	35,000	16.00	13.00	CX35-50/60C	SL280UH110XV60C	8266060
XC14-036-230A	TXV	34,800	16.00	13.00	CX35-50/60C	SLP98UH090XV36C	8266047
XC14-036-230A	TXV	34,600	16.00	13.00	CX35-50/60C	SLP98UH090XV48C	8266049
XC14-036-230A	TXV	35,200	16.00	13.00	CX35-50/60C	SLP98UH110XV60C	8266044
XC14-036-230A	TXV	34,200	14.50	12.20	CX35-50/60C		8266042

NOTES:

TXV = Matched with Thermostatic Expansion Valve.

RFC = Matched with RFC metering device.

AHRI certified to AHRI Standard 210/240 (with 25 ft. of connecting refrigerant lines); 95°F outdoor air temperature, 80°F db / 67°F wb entering evaporator air.

All ratings include the use of a blower time delay relay (TDR). All Lennox variable-speed furnaces and Air Handlers have time delay capabilities. Other Furnaces and Air Handlers may require an optional time delay relay (**58M81**) for field installation. See furnace or air handler specifications to determine if relay is needed.

Also see Expansion Valve Kit Usage Table.

REVISIONS

Sections	Description of Change
Optional Accessories	Updated Crankcase Heater usage.



Intertek

Visit us at www.lennox.com

For the latest technical information, www.lennoxPROs.com

Contact us at 1-800-4-LENNOX



NOTE - Due to Lennox' ongoing commitment to quality, Specifications, Ratings and Dimensions subject to change without notice and without incurring liability. Improper installation, adjustment, alteration, service or maintenance can cause property damage or personal injury. Installation and service must be performed by a qualified installer and servicing agency.

©2016 Lennox Industries, Inc.